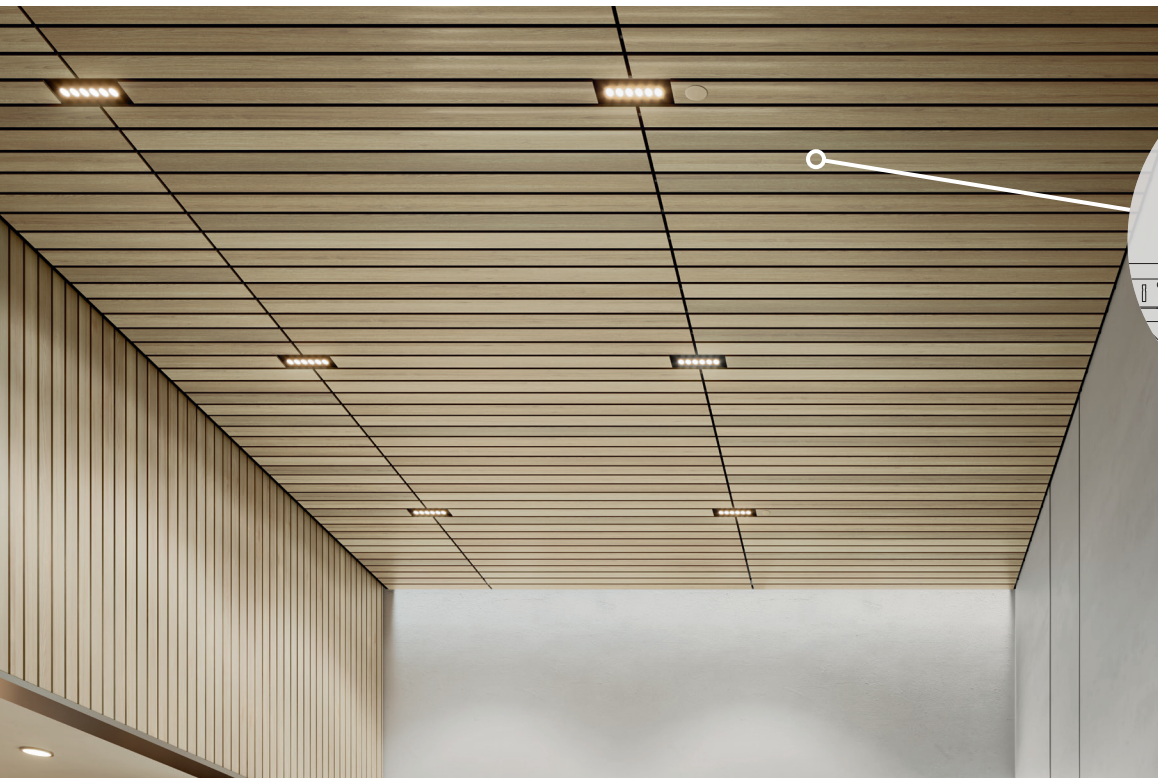
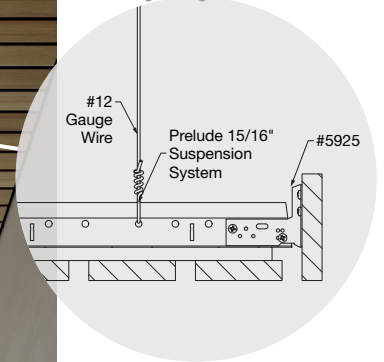


# WOODWORKS® Linear

## Solid Wood Panels



CAD/Revit® drawings at:  
[armstrongceilings.com/cadrevit](http://armstrongceilings.com/cadrevit)

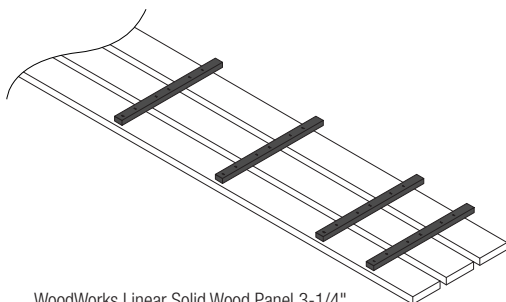


▲ WoodWorks Linear Solid Wood panels in Antique Oak on Prelude® XL® 15/16" suspension system

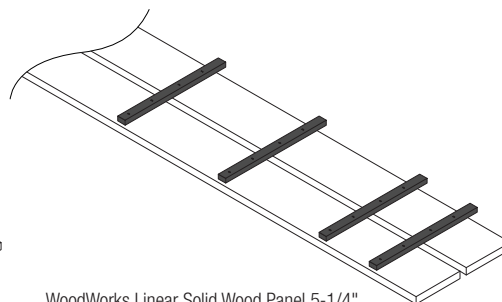
Standard linear solutions with the beautiful color variation and graining of solid wood with integrated lighting options.

### KEY SELECTION ATTRIBUTES

- new** • Standard finishes on solid poplar are tinted to replicate naturally occurring wood tones
- new** • Panels are part of the Sustain® portfolio and meet the most stringent industry sustainability compliance standards today
- FSC® certified wood available as a premium quoted option
- new** • Get total noise control and design flexibility with Total Acoustics® ceiling panels: NRC + CAC = Total Acoustics
- Wood interiors contribute to any biophilic design, connecting us with nature and offering a natural warmth and comfort. Biophilic design contributes to WELL™ v2 "Nature and Place" feature and LEED® v4 "Designing with Nature" credit as a strategy for incorporating elements of nature in your unique indoor designs.
- Two plank widths – nominal 3" and nominal 5"
- Installation with backer clip provides semi-accessibility, improves alignment and allows for adjustment during install (Recommended method for repeated access)
- Screw installation method offers a fast install using familiar tools and provides semi-accessibility
- Lighting solutions are certified for fit and finish and engineered to be supported by standard Armstrong suspension systems for use in all areas, including seismic D, E, F zones
- Integrated downlighting solutions from USAI® sit perfectly flush with the panel face for a sleek visual
- Integrate linear lights seamlessly with the Integrated Light Connection Clip and lights from Backlight™ srl and XAL®
- Create continuous looks and clouds with solid wood trim
- Complete standard system from one manufacturer



WoodWorks Linear Solid Wood Panel 3-1/4"



WoodWorks Linear Solid Wood Panel 5-1/4"

# WOODWORKS® Linear

## Solid Wood Panels



Declare.

LEED WELL LBC

energy management	recyclable/extended producer resp.	recycled content	low emitting materials	lighting quality
construction waste mgmt	biobased materials	FSC (for wood)	sourcing of raw materials	material ingredient reporting
regional materials	EPD	recycled content	low emitting materials	lighting quality
design for flexibility	recyclable/extended producer resp.	recycled content	low emitting materials	lighting quality
LOCATION DEPENDENT	PREMIUM OPTION	WITH INFILL PANEL		

For LEED contribution contact TechLine

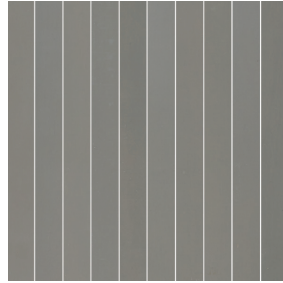
### FINISH RANGES ON SOLID POPLAR

Our tinted finishes allow the natural character of the poplar to shine through. The images here reflect the visual range that is likely within our product. Installers will want to lay out panels before installing to achieve preferred aesthetic.

#### Finish Ranges on Solid Poplar



Bleached Grey (GBG)



Classic Grey (GCG)



Carbon Grey (GCB)



Rich Mahogany (GRY)



Antique Oak (GAO)



Red Oak (GRK)



English Chestnut (GEC)



Golden Maple (GGM)



Natural Walnut (GWN)

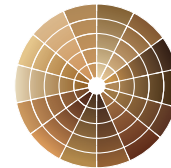


Warm Oak (GWO)



Forest Walnut (GFW)

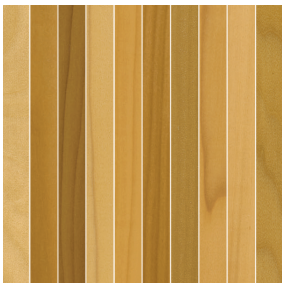
#### CUSTOM FINISHES



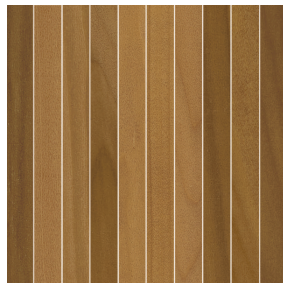
Custom Wood Species and Finishes Available

Made-to-order, custom backer colors available.

#### LEGACY FINISHES



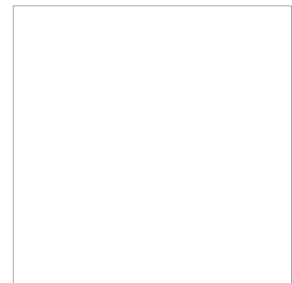
Maple (GMP)



Light Cherry (GLC)



Dark Cherry (GDC)



White (GWH)\*

Due to printing limitations, shade may vary from actual product.

\* Painted White finish is not included in the Sustain® portfolio.



WOODWORKS® – Standard

# WOODWORKS® Linear

## Solid Wood Panels

For LEED contribution contact TechLine

LEED® WELL™ LBC

- energy management
- construction waste mgmt
- regional materials
- design for flexibility
- EPD

LOCATION DEPENDENT

- recyclable/extended producer resp.
- biobased materials
- FSC® (for wood)
- recycled content
- sourcing of raw materials
- material ingredient reporting
- low emitting materials
- lighting quality
- acoustics

PREMIUM OPTION

- WITH INFILL PANEL

### VISUAL SELECTION

Item No. ◆	Description	Dimensions Nominal W x L x H (Inches) Custom Sizes Available	Lbs/SF
<b>8176W1</b> _ _ _	3-1/4" wide planks	12 x 96 x 3/4"	1.64
<b>8177W1</b> _ _ _	5-1/4" wide planks	12 x 96 x 3/4"	1.83

◆ When specifying or ordering, include the 3-letter color suffix that coordinates with your WoodWorks ceiling: (e.g., 8176W1 G M P)  
NOTE: For additional color and size options, or acoustical felt available as a custom option, call TechLine at 1 877 276 7876.

### PERFORMANCE

Dots represent high level of performance.

CleanAssure™ Disinfectable Panels

	Fog	Spray	Wipe
8176W1	•	•	•
8177W1	•	•	•

### ACOUSTICAL INFORMATION

Item No.	Infill Panel Item No.	NRC	+	CAC	=	Total Acoustics <sup>1</sup> NRC CAC
<b>8176W1</b>	1318	0.70	•	28	-	-
	1713BL	0.70	•	36	BETTER	•
	2820	0.70	•	33	-	-
<b>8177W1</b>	8200T10	0.60		N/A	-	-
	1318	0.60		29	-	-
	1713BL	0.55	•	36	-	-
	2820	0.60		33	-	-
	8200T10	0.50		N/A	-	-

<sup>1</sup> Total Acoustics® ceiling panels have an ideal combination of sound absorption and sound blocking in one product.  
**GOOD** (NRC 0.60-0.65; CAC 35+)  
**BETTER** (NRC 0.70-0.75; CAC 35+)  
**BEST** (NRC 0.80+; CAC 35+)

### ACCESSORIES

	Item No. ◆	Description	Dimensions Nominal W x L x H (inches)	Color	Pcs/Ctn
Suspension Systems	<b>7301BL</b>	Prelude® XL® 12' HD Main Beam	15/16 x 144 x 1-11/16"	Black	20
	<b>XL7341BL</b>	Prelude XL 4' Cross Tee	15/16 x 48 x 1-11/16"	Black	60
	<b>XL7328BL</b>	Prelude XL 2' Cross Tee	15/16 x 24 x 1-3/8"	Black	60
	<b>XL8320BL</b>	Prelude XL 2' Cross Tee	15/16 x 24 x 1-11/16"	Black	60
	<b>7800BL</b>	Angle Wall Molding	7/8 x 144 x 7/8"	Black	30
Accessories	<b>6571</b> _ _ _	8' Ledger	96 x 1"	All Finishes	1
	<b>7100</b>	Heavy-duty Wall Anchor	1-1/4 x 3 x 1"	N/A	50
	<b>5687</b>	Backer Clip	3/8 x 11/16 x 7/8"	Black	250
	<b>7290GBL</b>	Flat Backer Kit	7/8 x 12 x 1/2"	Black	18
	<b>5457GAL1</b> _ _ _	WoodWorks Solid End-Stain (Gallon)	N/A	All Finishes	1 Gallon
	<b>5457QT1</b> _ _ _	WoodWorks Solid End-Stain (Quart)	N/A	All Finishes	1 Quart
Acoustical Infill Panels	<b>2820BK</b>	Calla® Square Lay-in Panel	24 x 24 x 7/8"	Black	10
	<b>1713BL</b>	School Zone® Fine Fissured™ Square Lay-in Panel	24 x 24 x 3/4"	Black	12
	<b>1318</b>	Backstage Noir™ Square Lay-in Panel	24 x 24 x 3/4"	Black	12
	<b>6657</b>	BioAcoustic™ Infill Panel	11 x 48 x 5/8"	Black Matte	12
Perimeter Trim	<b>7146H4L96</b> _ _ _	4" Solid Wood Trim with 4 Clips	3/4 x 96 x 4"	All Finishes	1
	<b>7146H6L96</b> _ _ _	6" Solid Wood Trim with 4 Clips	3/4 x 96 x 6"	All Finishes	1
	<b>5925</b>	Replacement Trim Clips	N/A	Mill Finish	25
	<b>7239</b>	Adjustable Trim Clip	N/A	Mill Finish	1
	<b>AX_VESTR</b> _ _ _	Axiom® Vector Straight Trim - Recommend in Black 6" and up	N/A	Silver Grey, Black, Gun Metal	10 LF
	<b>AX_VECUR</b> _ _ _	Axiom Vector Curved Trim - Recommend in Black 6" and up	N/A	Silver Grey, Black, Gun Metal	10 LF

◆ When specifying or ordering please include the 3-letter color suffix that coordinates with your WoodWorks ceiling: (e.g., 5457GAL1 G B G).



WOODWORKS® — Standard

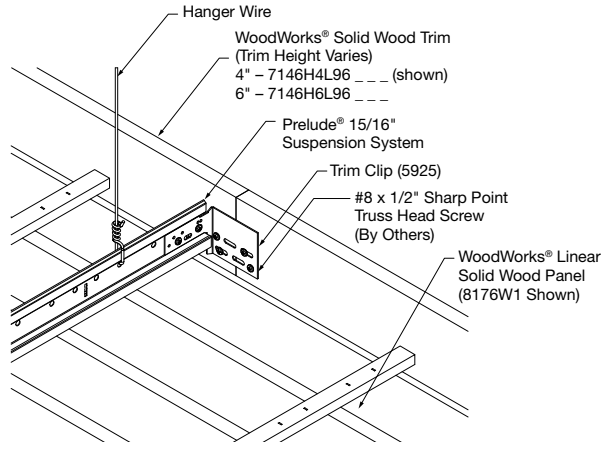
# WOODWORKS® Linear

## Solid Wood Panels

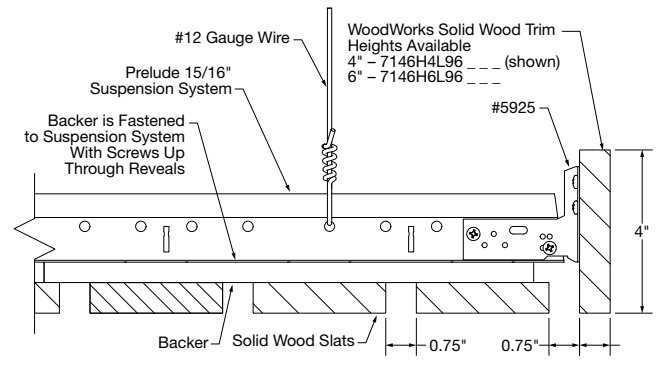
For LEED contribution contact TechLine

LEED® WELL™   LBC	energy management	✔	recyclable/extended producer resp.	✔	FSC® (for wood)	recycled content	✔	sourcing of raw materials	material ingredient reporting	✔	low emitting materials	lighting quality	✔	acoustics
	construction waste mgmt	✔	biobased materials	✔		recycled content	✔		material ingredient reporting	✔				
regional materials		✔	design for flexibility		✔	WITH INFILL PANEL								
EPD		✔	LOCATION DEPENDENT				PREMIUM OPTION							

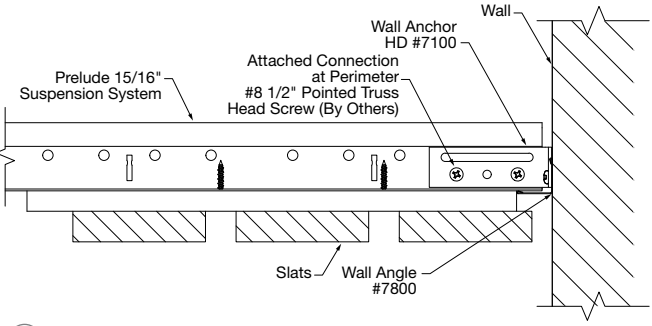
### SYSTEM INSTALLATION DETAILS



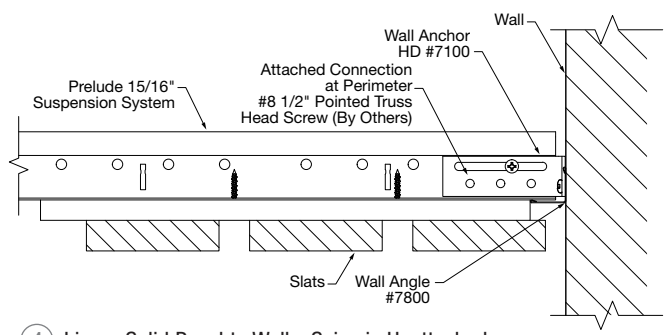
① Trim Clip at Trim Seam



② Solid Wood Perimeter Trim



③ Linear Solid Panel to Wall - Seismic Attached



④ Linear Solid Panel to Wall - Seismic Unattached

### PHYSICAL DATA

**Material**  
Solid wood (poplar)

**Surface Finish**  
Clear or tinted semi-gloss coating on all finishes except White (GWH) which has a lacquer finish.

**Fire Performance**  
Class C: ASTM E84 surface burning characteristics. Flame Spread Index 200 or less. Smoke Developed Index 450 or less.

Flame stop coating is available as a custom option. Contact ASQuote@armstrongceilings.com for details.

WoodWorks Linear Solid Wood panels, as with other architectural features located at the ceiling, may obstruct or skew the planned fire sprinkler water distribution pattern, or possibly delay or accelerate the activation of the sprinkler or fire detection systems by channeling heat from a fire either toward or away from the device. Designers and installers are advised to consult a fire protection engineer, NFPA 13, and local codes for guidance where automatic fire detection and suppression systems are present.

**Application Considerations**  
Variation among panels may occur due to the natural characteristics of the wood and grain.

**Design Considerations**  
Relative humidity between 25% and 55%, and temperature between 50° F and 86° F must be maintained.

**Installation Consideration**  
System is designed to have a 1" gap between panels.

**Seismic Restraint**  
WoodWorks Linear Solid Wood panels have been engineered, tested, and approved for application in all seismic areas when installed per Armstrong Ceilings installation instructions.

**Cleaning and Disinfecting**  
Cleaning and CDC-approved disinfecting options available on [armstrongceilings.com/cleaning](http://armstrongceilings.com/cleaning)

**Warranty**  
Details at [armstrongceilings.com/warranty](http://armstrongceilings.com/warranty)

**Weight (Bulk Packaged)**  
Refer to visual selection chart.



# LIGHTING SOLUTIONS WOODWORKS® Linear

Solid Wood Panels  
linear lighting



▲ WoodWorks Linear Solid Wood panels in Maple with 5-1/4" x 95" linear light fixture

Seamlessly integrate linear light fixtures from Backlight™ srl and XAL® with standard or made-to-order WoodWorks® Linear Solid Wood panels using Integrated Light Connection Clips that suspend lights directly from the suspension system. This eliminates the need for independent support of the fixture or modification of the suspension system.


## KEY SELECTION ATTRIBUTES

- Engineered and tested clip and suspension system seamlessly integrate lighting with grid
- Install lights seamlessly for WoodWorks Linear Solid Wood panels for interior applications
- Low-profile, pre-engineered light fixtures in coordinating 3-1/4" and 5-1/4" widths from Backlight srl and XAL for a flush, sleek visual
- Approved for use in all seismic categories

## DESIGN CONSIDERATIONS

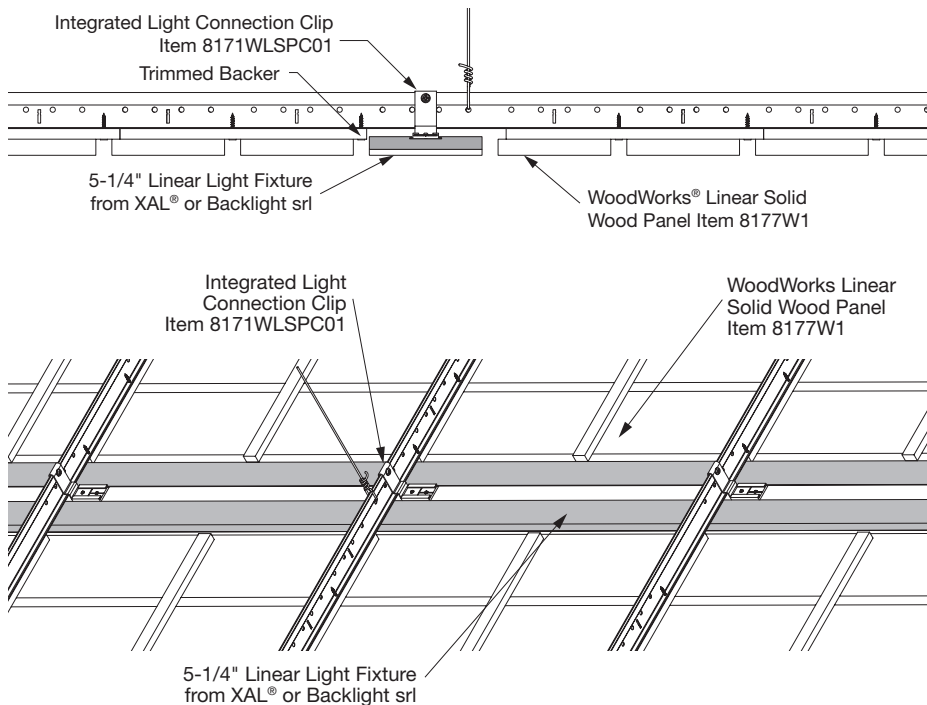
- Length of lights are designed to coordinate with the length of panels
- Lights must run parallel with panel direction and are not for use in perimeter panels
- Modified panels must be screw-attached to the suspension system. Reveal between light and panels will coordinate with the reveal from panel to panel
- Coordination between ceiling contractor and electrician is required for installation

## VISUAL SELECTION

Item No.	Description	Coordinating WOODWORKS Linear Solid Wood Panel Item No.	Panel Field Modification Required*	Compatible Partner Light Fixture Dimensions W x L (Inches)	Clips Required per Light Fixture
WOODWORKS Linear Solid Wood Panels	8171WLSPC01  Integrated Light Connection Clip	8176W1 8177W1	Male end of backer trimmed to 3/4" Male end of backer trimmed to 3/4"	3-1/4" x 95" 5-1/4" x 95"	4 4

\* Made-to-order panels that eliminate the need for field modification of standard panels are available via ASQuote@armstrongceilings.com  
NOTE: Item 8171WLSPC01 is packaged 12 pcs/ctn

## INSTALLATION DETAILS



## LIGHTING FIXTURES

Compatible with Backlight srl CHIARO™ light fixture and XAL® PANO Low-Profile Linear Plank light fixture



For detailed lighting information, contact your local Backlight srl or XAL! representative.

# LIGHTING SOLUTIONS WOODWORKS® Linear

Solid Wood Panels  
downlighting



▲ WoodWorks Linear Solid Wood panels with USAI BeveLED Mini for WoodWorks light

Seamlessly integrate downlight fixtures from USAI® with standard WoodWorks® Linear Solid Wood panels. Suspend lights directly from the suspension system, eliminating the need for independent support of the fixture or modification of the suspension system.

## KEY SELECTION ATTRIBUTES

- Engineered and tested to seamlessly integrate lighting fixtures with grid
- Approved for use in all seismic categories

## DESIGN CONSIDERATIONS

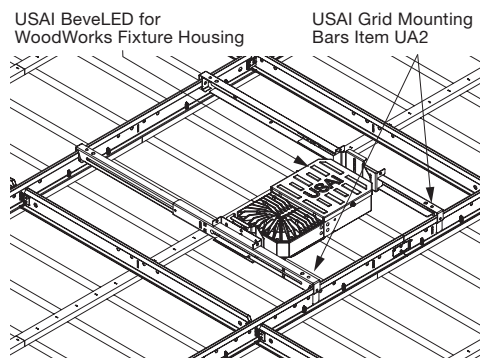
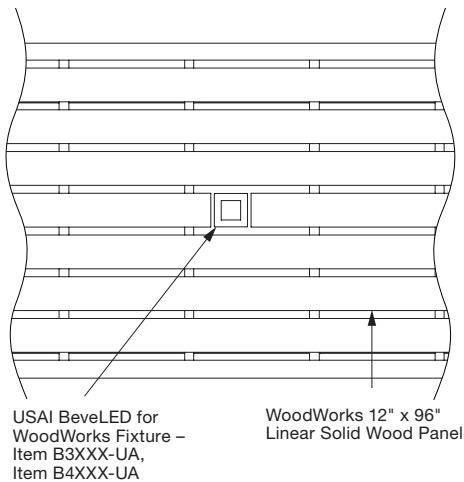
- Lights are designed to sit flush with the face of the WoodWorks panels
- Modified panels must be screw-attached to the suspension system
- Coordination between ceiling contractor and electrician is required for installation

## VISUAL SELECTION

	WOODWORKS Panel Item No.	Description	Coordinating USAI Fixture Family	Coordinating USAI Fixture Part Numbers	USAI Grid Mounting Bars Item No.	Panel Field Modification Required
WOODWORKS Linear Solid Wood Panels	8177	5-1/4" Planks	BeveLED® 2.2 for WoodWorks	B4XXX-UA	UA2	1 plank cut
	8176	3-1/4" Planks	BeveLED Mini® for WoodWorks	B3XXX-UA	UA2	1 plank cut

NOTE: Refer to lighting partner cut sheets for light location considerations

## INSTALLATION DETAILS



## LIGHTING FIXTURES

Compatible with USAI BeveLED 2.2 for WoodWorks and BeveLED Mini for WoodWorks fixture families.

# USAI® Lighting

For detailed lighting information, contact your local USAI® representative.