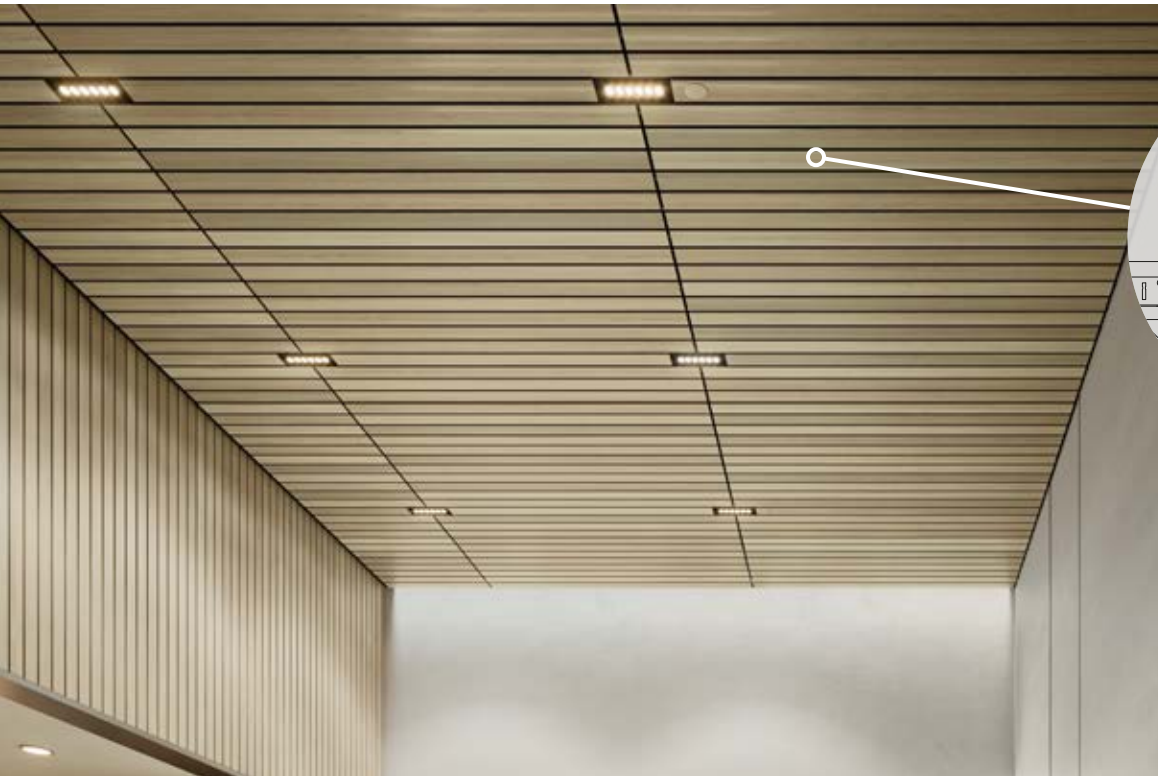
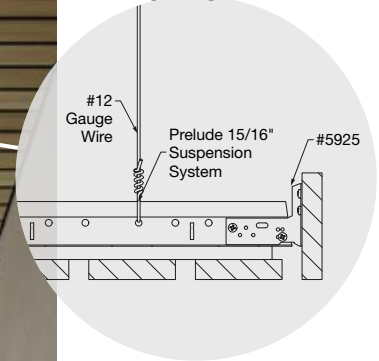


WOODWORKS® Linear

Solid Wood Panels



CAD/Revit® drawings at:
armstrongceilings.com/cadrevit

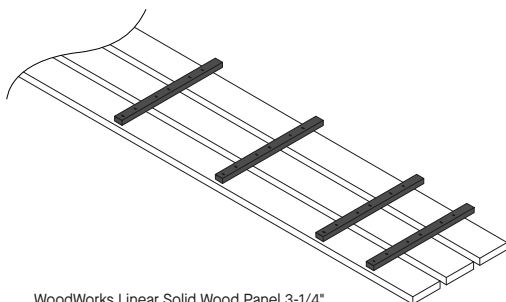


WoodWorks Linear Solid Wood panels in Antique Oak on Prelude® XL® 15/16" suspension system

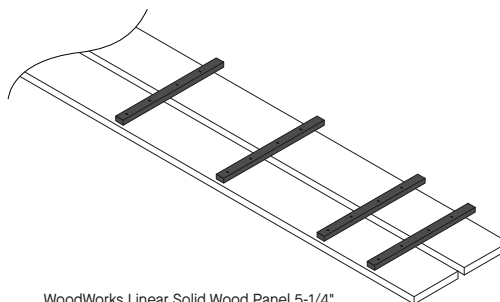
Standard linear solutions with the beautiful color variation and graining of solid wood with integrated lighting options.

KEY SELECTION ATTRIBUTES

- new** • Standard finishes on solid poplar are tinted to replicate naturally occurring wood tones
- new** • Panels are part of the Sustain® portfolio and meet the most stringent industry sustainability compliance standards today
- FSC® Certified wood available as a premium quoted option (FSC-C007626)
- new** • Get total noise control and design flexibility with Total Acoustics® ceiling panels: NRC + CAC = Total Acoustics
- The natural warmth of wood can contribute to biophilic designs and building certification standards like the WELL™ v2 "Nature and Place" feature
- Two plank widths – nominal 3" and nominal 5"
- Installation with backer clip provides semi-accessibility, improves alignment and allows for adjustment during install (Recommended method for repeated access)
- Screw installation method offers a fast install using familiar tools and provides semi-accessibility
- Lighting solutions are certified for fit and finish and engineered to be supported by standard Armstrong suspension systems for use in all areas, including seismic D, E, and F zones
- Integrated downlighting solutions from USAI® sit perfectly flush with the panel face for a sleek visual
- Integrate linear lights seamlessly with the Integrated Light Connection Clip and lights from BASO
- Create continuous looks and clouds with solid wood trim
- Complete standard system from one manufacturer
- Made in the U.S.A. of domestic and global content
- Build America, Buy America (BABA) Act compliant



WoodWorks Linear Solid Wood Panel 3-1/4"



WoodWorks Linear Solid Wood Panel 5-1/4"

WOODWORKS® Linear

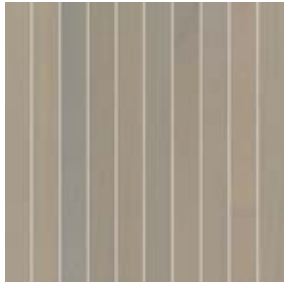
Solid Wood Panels



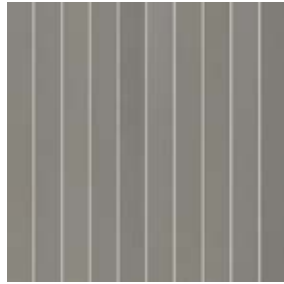
LEED V5	
COMMON MATERIALS FRAMEWORK	
Climate Health	EPD
Human Health	Declare Label HPD
Ecosystem Health	EPD
3rd Party CDPH	Circular Economy
OCCUPANT EXPERIENCE	Acoustics

new FINISH RANGES ON SOLID POPLAR

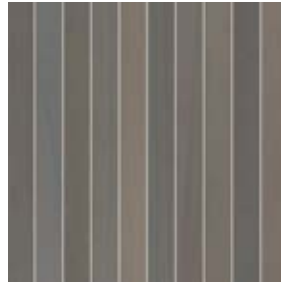
Our tinted finishes allow the natural character of the poplar to shine through. The images here reflect the visual range that is likely within our product. Installers will want to lay out panels before installing to achieve preferred aesthetic.



Bleached Grey (GBG)



Classic Grey (GCG)



Carbon Grey (GCB)



Rich Mahogany (GRY)



Antique Oak (GAO)



Red Oak (GRK)



English Chestnut (GEC)



Golden Maple (GGM)



Natural Walnut (GWN)

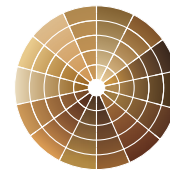


Warm Oak (GWO)



Forest Walnut (GFW)

CUSTOM FINISHES



Custom Wood Species and Finishes Available

Panel backers are black. Made-to-order, custom backer colors available.

LEGACY FINISHES



Maple (GMP)



Light Cherry (GLC)



Dark Cherry (GDC)



White (GWH)

Due to printing limitations, shade may vary from actual product.



WOODWORKS® Linear

Solid Wood Panels



Declare.

LEED V5

COMMON MATERIALS FRAMEWORK		Climate Health	EPD
Human Health	Declare Label HPD	Ecosystem Health	EPD
	3rd Party CDPH	Circular Economy	✓
OCCUPANT EXPERIENCE		Acoustics	✓

VISUAL SELECTION

Item No.	Description	Dimensions Nominal W × L × H (Inches) Custom Sizes Available	LBS/SF
WOODWORKS® Linear Solid Wood Panels 8176W1 _ _ _	3-1/4" wide planks	12 × 96 × 3/4"	1.64
8177W1 _ _ _	5-1/4" wide planks	12 × 96 × 3/4"	1.83

PERFORMANCE

Dots represent high level of performance.

CleanAssure™ Disinfectable Panels		
Fog	Spray	Wipe
•	•	•

ACOUSTICAL INFORMATION

Item No.	Infill Panel Item No.	NRC	+	CAC	=	Total Acoustics ¹
8176W1	1318	0.70		28		-
	1713BL	0.70		36		BETTER
	2820	0.70		33		-
8177W1	8200T10	0.60		N/A		-
	1318	0.60		29		-
	1713BL	0.55		36		-
	2820	0.60		33		-
	8200T10	0.50		N/A		-

◆ When specifying or ordering, include the 3-letter color suffix that coordinates with your WoodWorks ceiling: (e.g., 8176W1 G M P)
NOTE: For additional color and size options, or acoustical felt available as a custom option, call TechLine at 1 877 276 7876.

¹ Total Acoustics® ceiling panels have an ideal combination of sound absorption and sound blocking in one product.
GOOD (NRC 0.60-0.65; CAC 35+)
BETTER (NRC 0.70-0.75; CAC 35+)
BEST (NRC 0.80+; CAC 35+)

ACCESSORIES

	Item No. ◆	Description	Dimensions Nominal W × L × H (inches)	Color	PCS/CTN
Suspension Systems	7301BL	Prelude® XL® 12' HD Main Beam	15/16 × 144 × 1-11/16"	Black	20
	XL7341BL	Prelude XL 4' Cross Tee	15/16 × 48 × 1-11/16"	Black	60
	XL7328BL	Prelude XL 2' Cross Tee	15/16 × 24 × 1-3/8"	Black	60
	XL8320BL	Prelude XL 2' Cross Tee	15/16 × 24 × 1-11/16"	Black	60
	7800BL	Angle Wall Molding	7/8 × 144 × 7/8"	Black	30
Accessories	6571 _ _ _	8' Ledger	96" × 1"	All Finishes	1
	7100	Heavy-duty Wall Anchor	1-1/4 × 3 × 1"	N/A	50
	5687	Backer Clip	3/8 × 11/16 × 7/8"	Black	250
	7290GBL	Flat Backer Kit	7/8 × 12 × 1/2"	Black	18
	5457GAL1 _ _ _	WoodWorks Solid End-Stain (Gallon)	N/A	All Finishes	1 Gallon
	5457QT1 _ _ _	WoodWorks Solid End-Stain (Quart)	N/A	All Finishes	1 Quart
Acoustical Infill Panels	2820BK	Calla® Square Lay-in Panel	24 × 24 × 7/8"	Black	10
	1713BL	School Zone® Fine Fissured™ Square Lay-in Panel	24 × 24 × 3/4"	Black	12
	1318	Backstage Noir® Square Lay-in Panel	24 × 24 × 3/4"	Black	12
	6657	BioAcoustic™ Infill Panel	11 × 48 × 5/8"	Black Matte	12
Perimeter Trim	7146H4L96 _ _ _	4" Solid Wood Trim with 4 Clips	3/4 × 96 × 4"	All Finishes	1
	7146H6L96 _ _ _	6" Solid Wood Trim with 4 Clips	3/4 × 96 × 6"	All Finishes	1
	5925	Replacement Trim Clips	N/A	Mill Finish	25
	7239	Adjustable Trim Clip	N/A	Mill Finish	1
	AX_VESTR _ _ _	Axiom® Vector Straight Trim – Recommend in Black 6" and up	N/A	Silver Grey, Black, Gun Metal	10 LF
	AX_VECUR _ _ _	Axiom Vector Curved Trim – Recommend in Black 6" and up	N/A	Silver Grey, Black, Gun Metal	10 LF

◆ When specifying or ordering please include the 3-letter color suffix that coordinates with your WoodWorks ceiling: (e.g., 5457GAL1 G B Q).



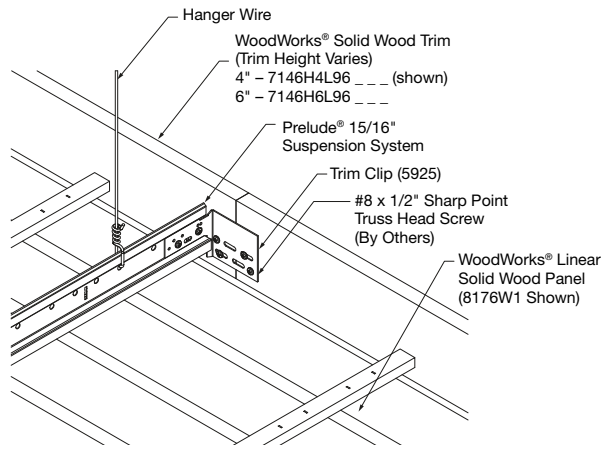
WOODWORKS® Linear

Solid Wood Panels

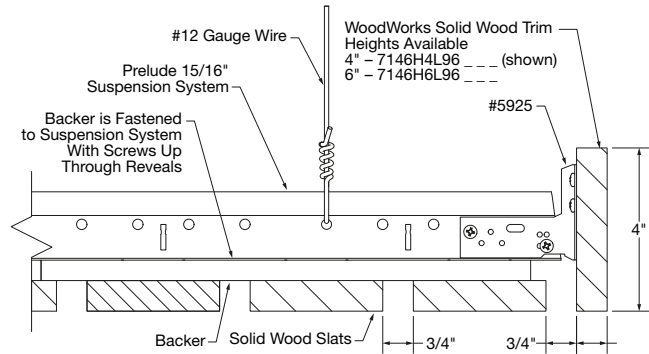


LEED V5	
COMMON MATERIALS FRAMEWORK	Climate Health EPD
Human Health Declare Label	Ecosystem Health EPD
	HPD
3rd Party CDPH	Circular Economy ✓
OCCUPANT EXPERIENCE	Acoustics ✓

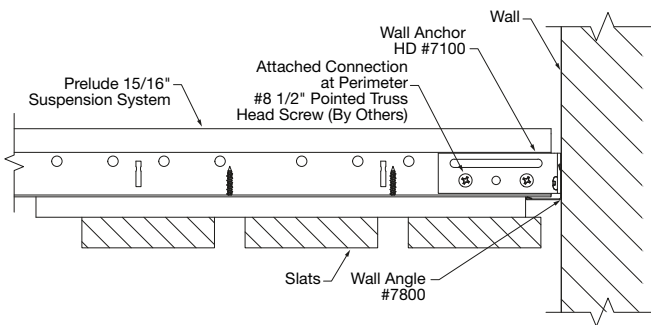
SYSTEM INSTALLATION DETAILS



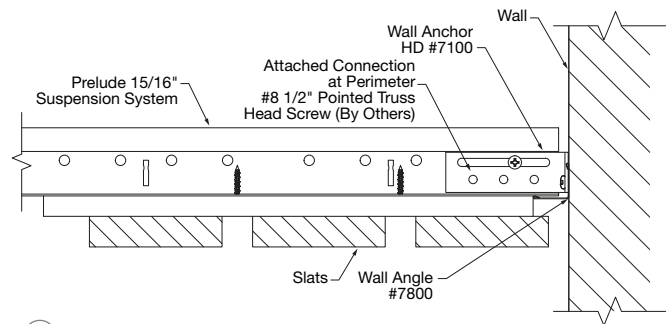
1 Trim Clip at Trim Seam



2 Solid Wood Perimeter Trim



3 Linear Solid Panel to Wall - Seismic Attached



4 Linear Solid Panel to Wall - Seismic Unattached

PHYSICAL DATA

Material

Solid wood (poplar)

Surface Finish

Clear or tinted semi-gloss coating on all finishes except White (GWH) which has a lacquer finish.

Fire Performance

Class C: ASTM E84 surface burning characteristics. Flame Spread Index 200 or less. Smoke Developed Index 450 or less.

Flame stop coating is available as a custom option. Contact ASQuote@armstrongceilings.com for details.

WoodWorks Linear Solid Wood panels, as with other architectural features located at the ceiling, may obstruct or skew the planned fire sprinkler water distribution pattern, or possibly delay or accelerate the activation of the sprinkler or fire detection systems by channeling heat from a fire either toward or away from the device. Designers and installers are advised to consult a fire protection engineer, NFPA 13, and local codes for guidance where automatic fire detection and suppression systems are present.

Application Considerations

Variation among panels may occur due to the natural characteristics of the wood and grain.

Design Considerations

Relative humidity between 25% and 55%, and temperature between 50° F and 86° F must be maintained.

Installation Consideration

System is designed to have a 1\"/>

Seismic Restraint

WoodWorks Linear Solid Wood panels have been engineered, tested, and approved for application in all seismic areas when installed per Armstrong Ceilings installation instructions.

Design & Pre-Construction Service

For complimentary design and pre-construction assistance, contact ProjectWorks® or visit armstrongceilings.com/projectworks

Cleaning and Disinfecting

Cleaning and CDC-approved disinfecting options available on armstrongceilings.com/cleaning

Warranty

Details at armstrongceilings.com/warranty

Weight (Bulk Packaged)

Refer to visual selection chart.



LIGHTING SOLUTIONS

WOODWORKS® Linear

Solid Wood Panels
linear lighting



WoodWorks Linear Solid Wood panels in Maple with 5-1/4" x 95" linear light fixture

Seamlessly integrate linear light fixtures from BASO™ Lighting with standard or made-to-order WoodWorks® Linear Solid Wood panels using Integrated Light Connection Clips that suspend lights directly from the suspension system. This eliminates the need for independent support of the fixture or modification of the suspension system.


KEY SELECTION ATTRIBUTES

- Engineered and tested clip and suspension system seamlessly integrate lighting with grid
- Install lights seamlessly for WoodWorks Linear Solid Wood panels for interior applications
- Low-profile, pre-engineered light fixtures in coordinating 3-1/4" and 5-1/4" widths from BASO for a flush, sleek visual
- Approved for use in all seismic categories

DESIGN CONSIDERATIONS

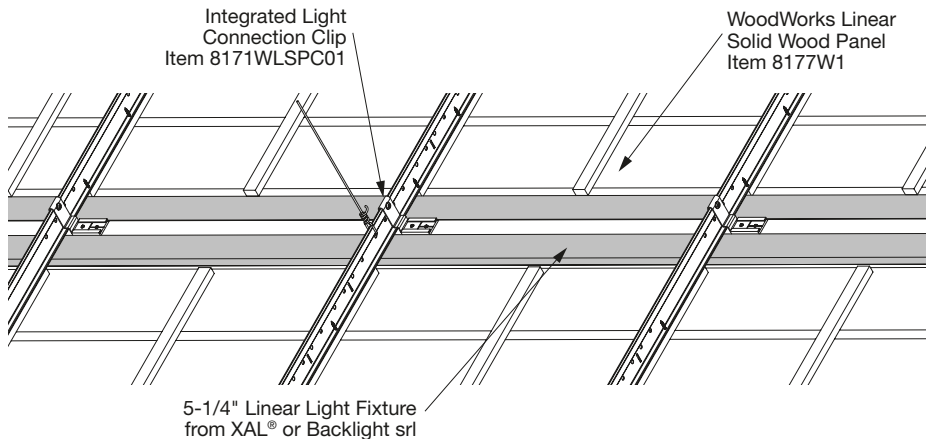
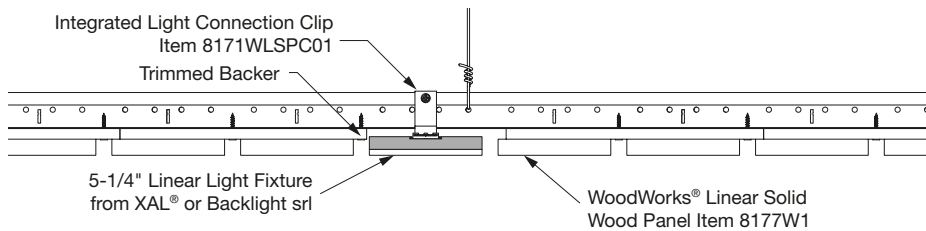
- Length of lights are designed to coordinate with the length of panels
- Lights must run parallel with panel direction and are not for use in perimeter panels
- Modified panels must be screw-attached to the suspension system. Reveal between light and panels will coordinate with the reveal from panel to panel
- Coordination between ceiling contractor and electrician is required for installation

VISUAL SELECTION

Item No.	Description	Coordinating WOODWORKS Linear Solid Wood Panel Item No.	Panel Field Modification Required*	Compatible Partner Light Fixture Dimensions W x L (Inches)	Clips Required per Light Fixture
WOODWORKS Linear Solid Wood Panels	8171WLSPC01 	8176W1 8177W1	Male end of backer trimmed to 3/4" 3-1/4" x 95" Male end of backer trimmed to 3/4" 5-1/4" x 95"		4 4

* Made-to-order panels that eliminate the need for field modification of standard panels are available via ASQuote@armstrongceilings.com
NOTE: Item 8171WLSPC01 is packaged 12 PCS/CTN

INSTALLATION DETAILS



LIGHTING FIXTURES

Compatible with BASO PANO™ Low-Profile Linear Plank light fixture

BASO

For detailed lighting information, contact your local BASO representative.

WOODWORKS® – Standard

LIGHTING SOLUTIONS WOODWORKS® Linear

Solid Wood Panels
downlighting



WoodWorks Linear Solid Wood panels with USAI BeveLED Mini for WoodWorks light

Seamlessly integrate downlight fixtures from USAI® with standard WoodWorks® Linear Solid Wood panels. Suspend lights directly from the suspension system, eliminating the need for independent support of the fixture or modification of the suspension system.

KEY SELECTION ATTRIBUTES

- Engineered and tested to seamlessly integrate lighting fixtures with grid
- Approved for use in all seismic categories

DESIGN CONSIDERATIONS

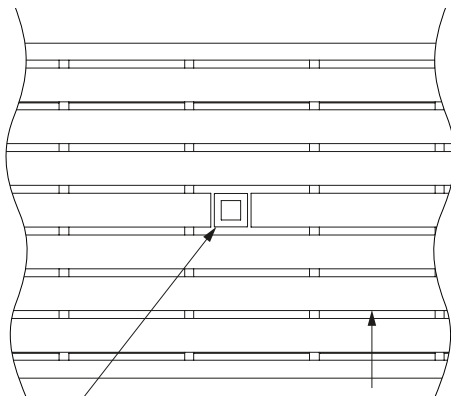
- Lights are designed to sit flush with the face of the WoodWorks panels
- Modified panels must be screw-attached to the suspension system
- Coordination between ceiling contractor and electrician is required for installation

VISUAL SELECTION

	WOODWORKS Panel Item No.	Description	Coordinating USAI Fixture Family	Coordinating USAI Fixture Part Numbers	USAI Grid Mounting Bars Item No.	Panel Field Modification Required
WOODWORKS Linear Solid Wood Panels	8177	5-1/4" Planks	BeveLED® 2.2 for WoodWorks	B4XXX-UA	UA2	1 plank cut
	8176	3-1/4" Planks	BeveLED Mini® for WoodWorks	B3XXX-UA	UA2	1 plank cut

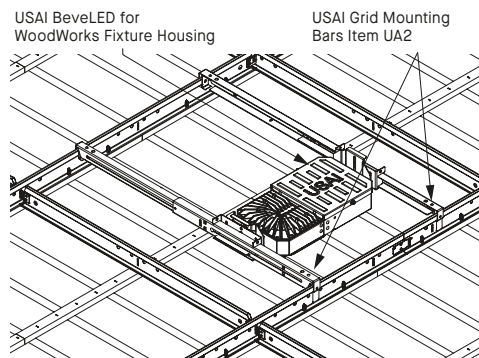
NOTE: Refer to lighting partner cut sheets for light location considerations

INSTALLATION DETAILS



USAI BeveLED for WoodWorks Fixture – Item B3XXX-UA, Item B4XXX-UA

WoodWorks 12" x 96" Linear Solid Wood Panel



LIGHTING FIXTURES

Compatible with USAI BeveLED 2.2 for WoodWorks and BeveLED Mini for WoodWorks fixture families.

USAI® Lighting

For detailed lighting information, contact your local USAI® representative.

