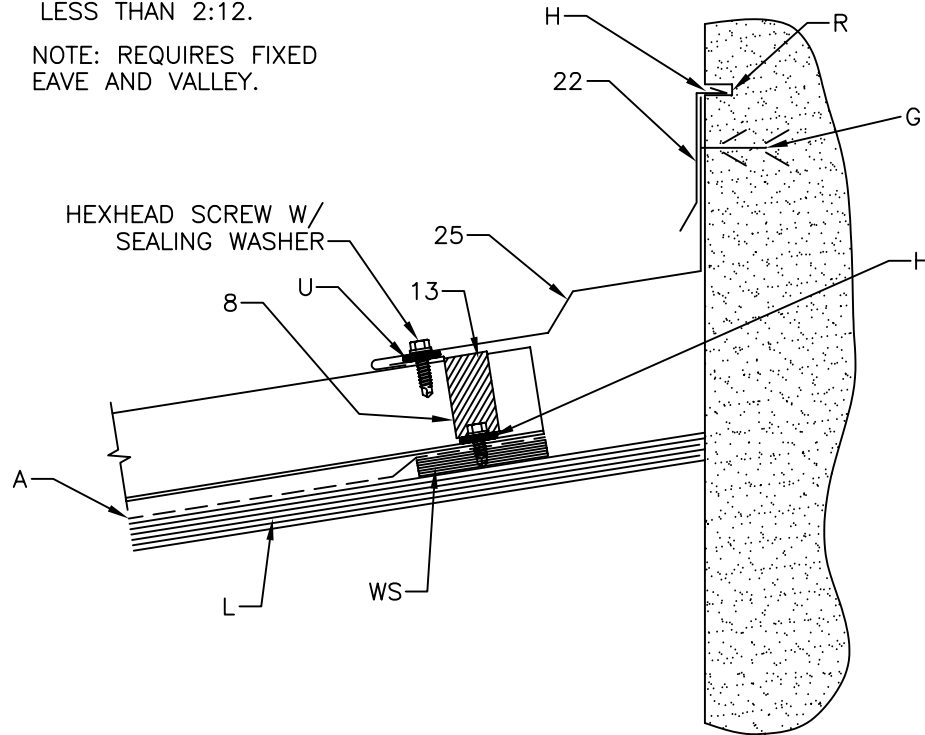


NOTE: USE ON SLOPES
LESS THAN 2:12.

NOTE: REQUIRES FIXED
EAVE AND VALLEY.



Legend

As Supplied By ATAS:

- 1 - ATAS FLS Panel
- 2 - Anchor Clips
- 3 - Optional Metal Seam End Plugs
- 4 - Painted Pop Rivets
- 8 - "Z" Closure
- 13 - Neoprene Closure
- 22 - Counterflashing
- 25 - Headwall Transition (Floating)

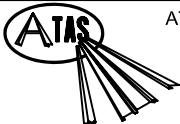
As Supplied By Others:

- A - 30# (Minimum) Felt with Rosin Paper
- A1 - 40 MIL Ice & Water Shield
- B - Top of Roof Deck or Insulation
- C - Structurals
- D - Trim Boards
- E - #12 x 1" Wafer Head Screws
- F - Fascia Trim (May be fabricated/supplied by ATAS upon request).
- G - Appropriate anchor screws sufficiently long enough to fully penetrate the solid substrate (Some types/styles available from ATAS.)
- H - Appropriate Sealant
- L - Plywood
- R - Reglet
- U - Butyl Tape Sealant
- WS - Wood Shim 3/8" or 1-3/8"

* - Indicates color side.

Field Lock
Headwall Detail (Floating)

Scale: 3" = 1'-0"

		ATAS INTERNATIONAL, INC. Allentown PA 610-395-8445 Mesa AZ 480-558-7210					
		TITLE FLS Headwall (Floating) - ply					
DWG NO. / FILE NO.		FLS Headwall (Floating) - ply				SCALE 3"=1'-0"	
DRAWN BY DAS	DATE 3-6-06	APPR. BY JEB	DATE 6-1-06				
REVISION NO.	XXXX	REVISION DATE	MM/DD/YY	APPR. BY	XXXX	APPR. DATE	MM/DD/YY

Rev. No.	Revision Date	Drawn By	Description of Revision
0	6-1-06	DAS	FLS Headwall (Floating) - ply