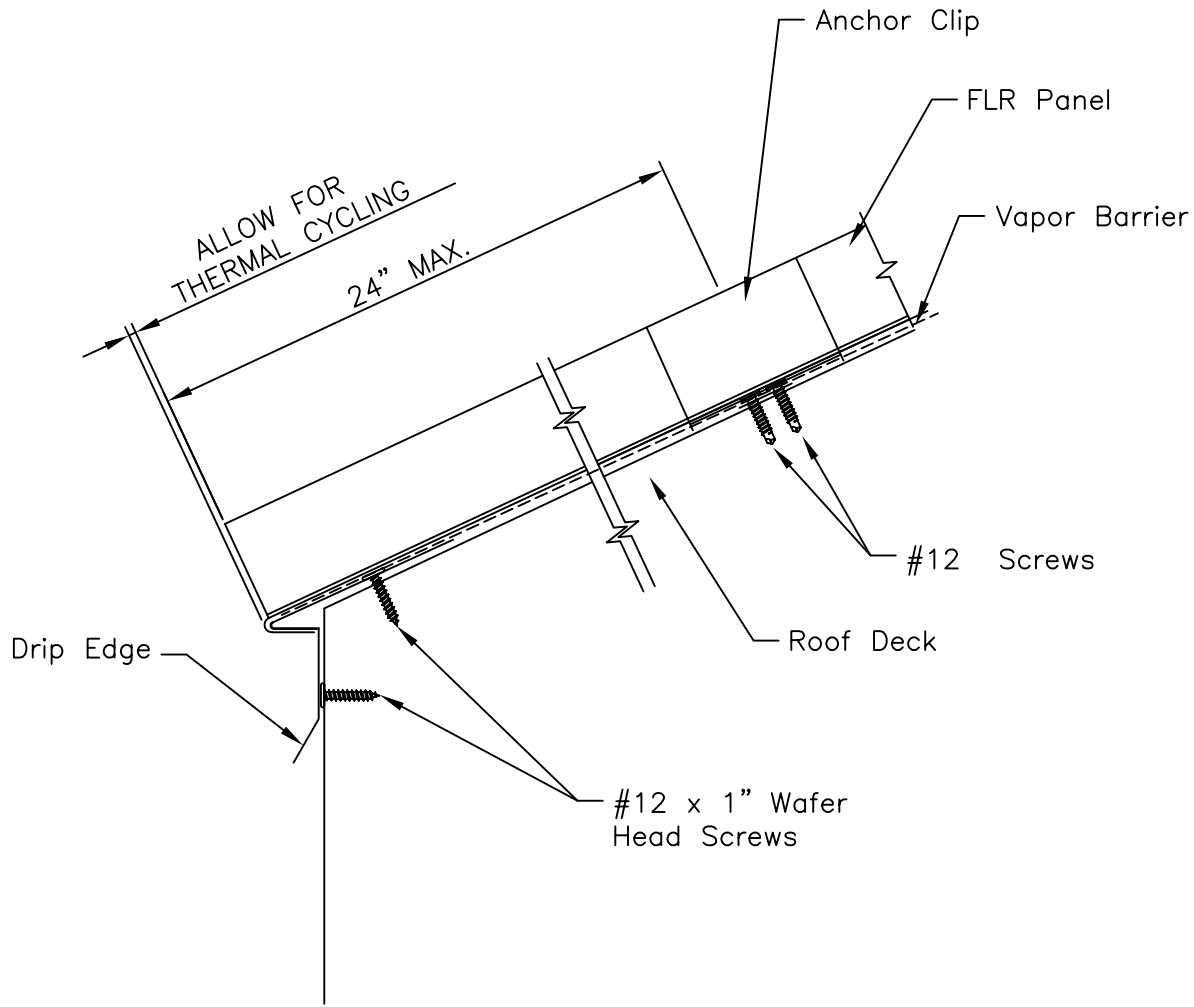



 ATAS INTERNATIONAL, INC.  
 Allentown PA  
 610-395-9445  
 Mesa AZ  
 480-658-7210

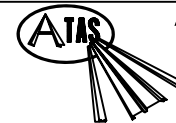
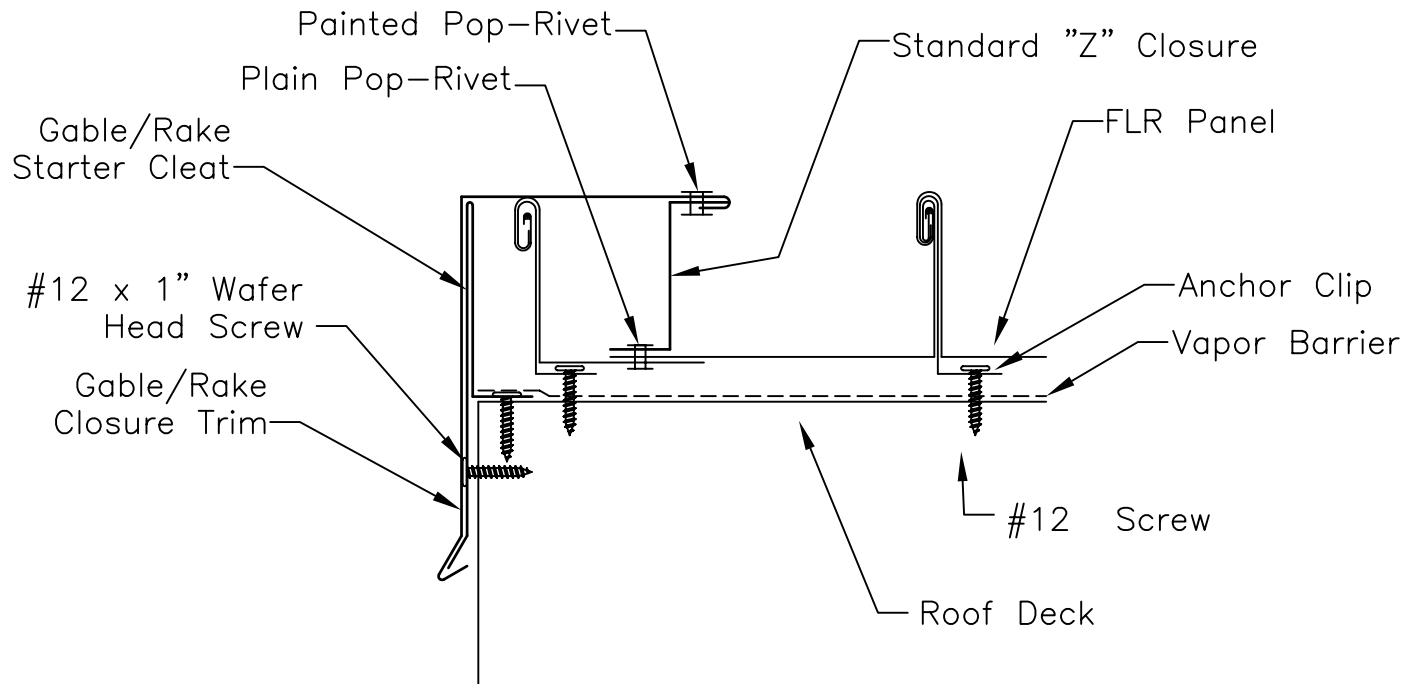
TITLE **2" FIELD-LOK PANEL FLR**

| Rev. No. | Revision Date | Drawn By | Description of Revision | DWG NO. / FILE NO. | Field-Lok FLR          | SCALE          | X:Y                 |
|----------|---------------|----------|-------------------------|--------------------|------------------------|----------------|---------------------|
| 0        | 02/05/09      | RRG      | Single line drawing     | DRAWN BY: RRG      | DATE: 02/05/09         | APPR. BY:      | DATE:               |
|          |               |          |                         | REVISION NO. XXXX  | REVISION DATE MM/DD/YY | APPR. BY: XXXX | APPR. DATE MM/DD/YY |



|   |                               |   |                            |                       |  |
|---|-------------------------------|---|----------------------------|-----------------------|--|
|  |                               | ATAS INTERNATIONAL, INC.<br>Allentown PA<br>610-395-8445<br>Mesa AZ<br>480-558-7210 |                            |                       |  |
|   |                               | <b>TITLE</b> FLR Eave - Steep Slope   |                            |                       |  |
| <b>DWG NO. / FILE NO.</b>   |                               | <b>FLR Eave - Steep Slope</b>   |                            | <b>SCALE</b> 3"=1'-0" |  |
| <b>DRAWN BY</b> DAS   | <b>DATE</b> 3-6-06            | <b>APPR. BY</b> JEB   | <b>DATE</b> 5-31-06        |                       |  |
| <b>REVISION NO.</b> XXXX  | <b>REVISION DATE</b> MM/DD/YY | <b>APPR. BY</b> XXXX  | <b>APPR. DATE</b> MM/DD/YY |                       |  |

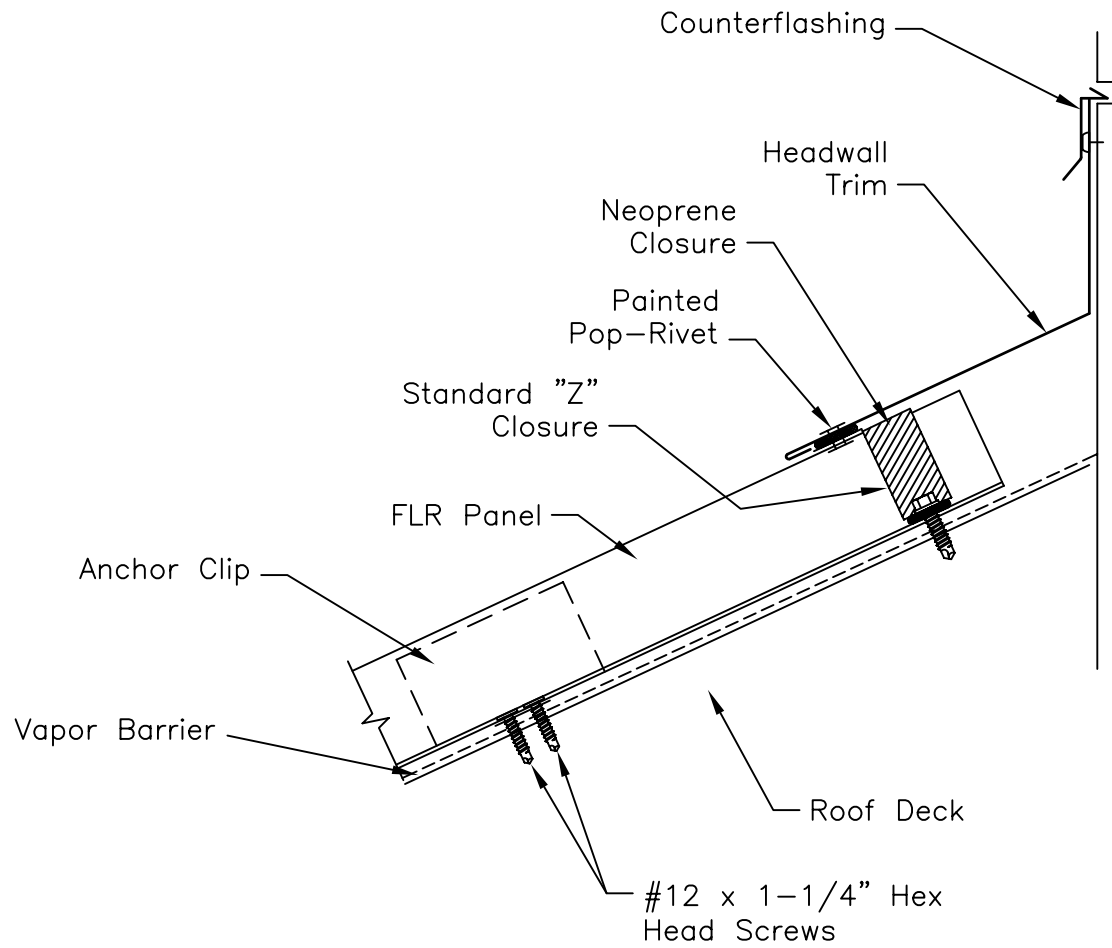
| Rev. No. | Revision Date | Drawn By | Description of Revision       |
|----------|---------------|----------|-------------------------------|
| 0        | 5-31-06       | DAS      | <b>FLR Eave - Steep Slope</b> |




ATAS INTERNATIONAL, INC.  
 Allentown PA  
 610-395-8445  
 Mesa AZ  
 480-558-7210

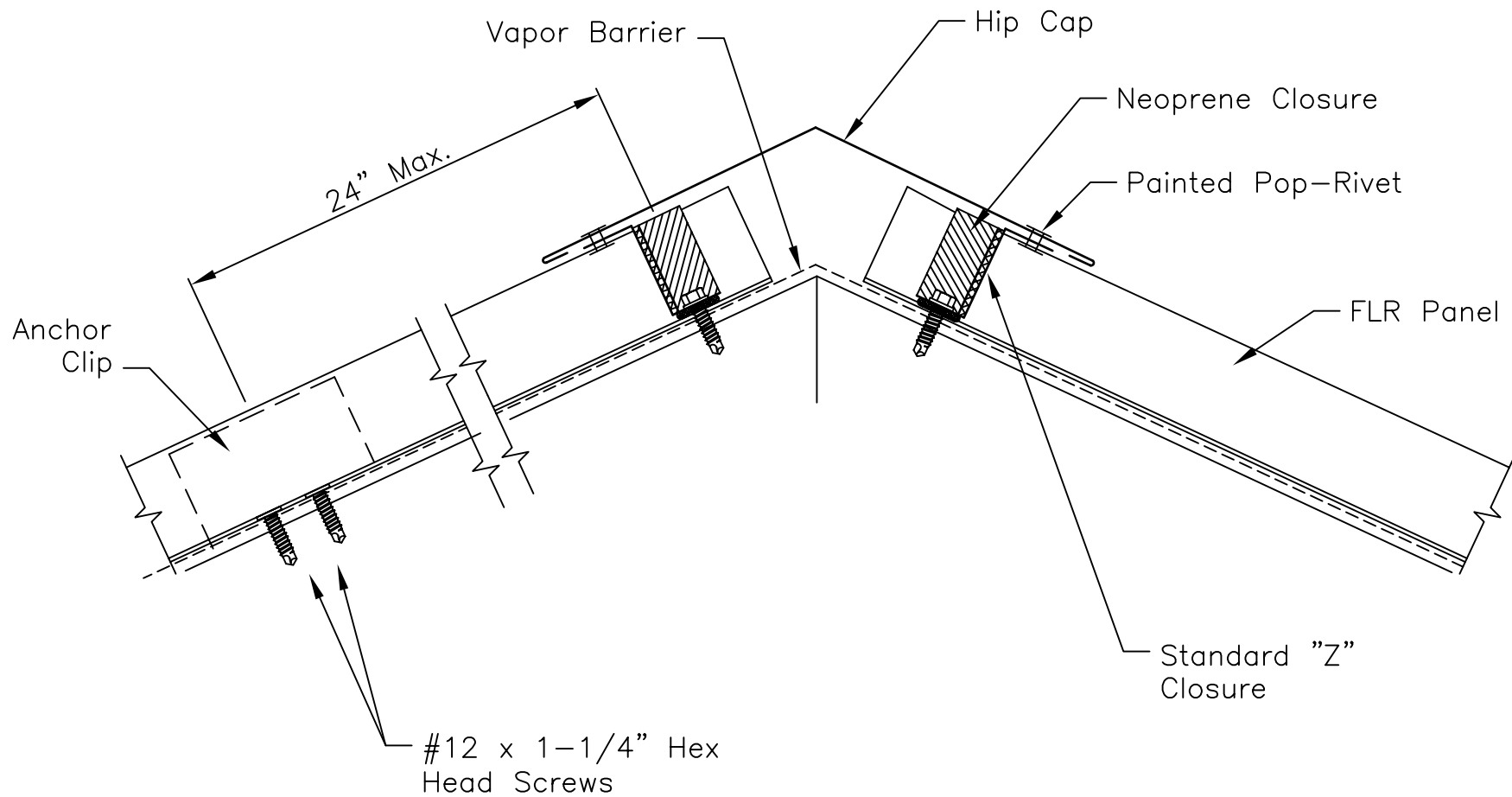
|                    |      |                                |          |          |      |            |          |
|--------------------|------|--------------------------------|----------|----------|------|------------|----------|
| TITLE              |      | <b>FLR Gable - Steep Slope</b> |          |          |      |            |          |
| DWG NO. / FILE NO. |      | <b>FLR Gable - Steep Slope</b> |          |          |      | SCALE      | 3"=1'-0" |
| DRAWN BY           | DAS  | DATE                           | 3-6-06   | APPR. BY | JEB  | DATE       | 5-31-06  |
| REVISION NO.       | XXXX | REVISION DATE                  | MM/DD/YY | APPR. BY | XXXX | APPR. DATE | MM/DD/YY |

| Rev. No. | Revision Date | Drawn By | Description of Revision        |
|----------|---------------|----------|--------------------------------|
| 0        | 5-31-06       | DAS      | <b>FLR Gable - Steep Slope</b> |



|   |      |   |          |          |      |            |          |
|---|------|---|----------|----------|------|------------|----------|
|  |      | ATAS INTERNATIONAL, INC.<br>Allentown PA<br>610-395-8445<br>Mesa AZ<br>480-558-7210 |          |          |      |            |          |
| TITLE   |      | <b>FLR Headwall - Steep Slope</b>   |          |          |      |            |          |
| DWG NO. / FILE NO.  |      | <b>FLR Headwall - Steep Slope</b>   |          |          |      | SCALE      | 3"=1'-0" |
| DRAWN BY  | DAS  | DATE  | 3-6-06   | APPR. BY | JEB  | DATE       | 5-31-06  |
| REVISION NO.  | XXXX | REVISION DATE   | MM/DD/YY | APPR. BY | XXXX | APPR. DATE | MM/DD/YY |

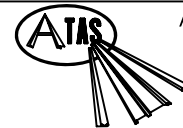
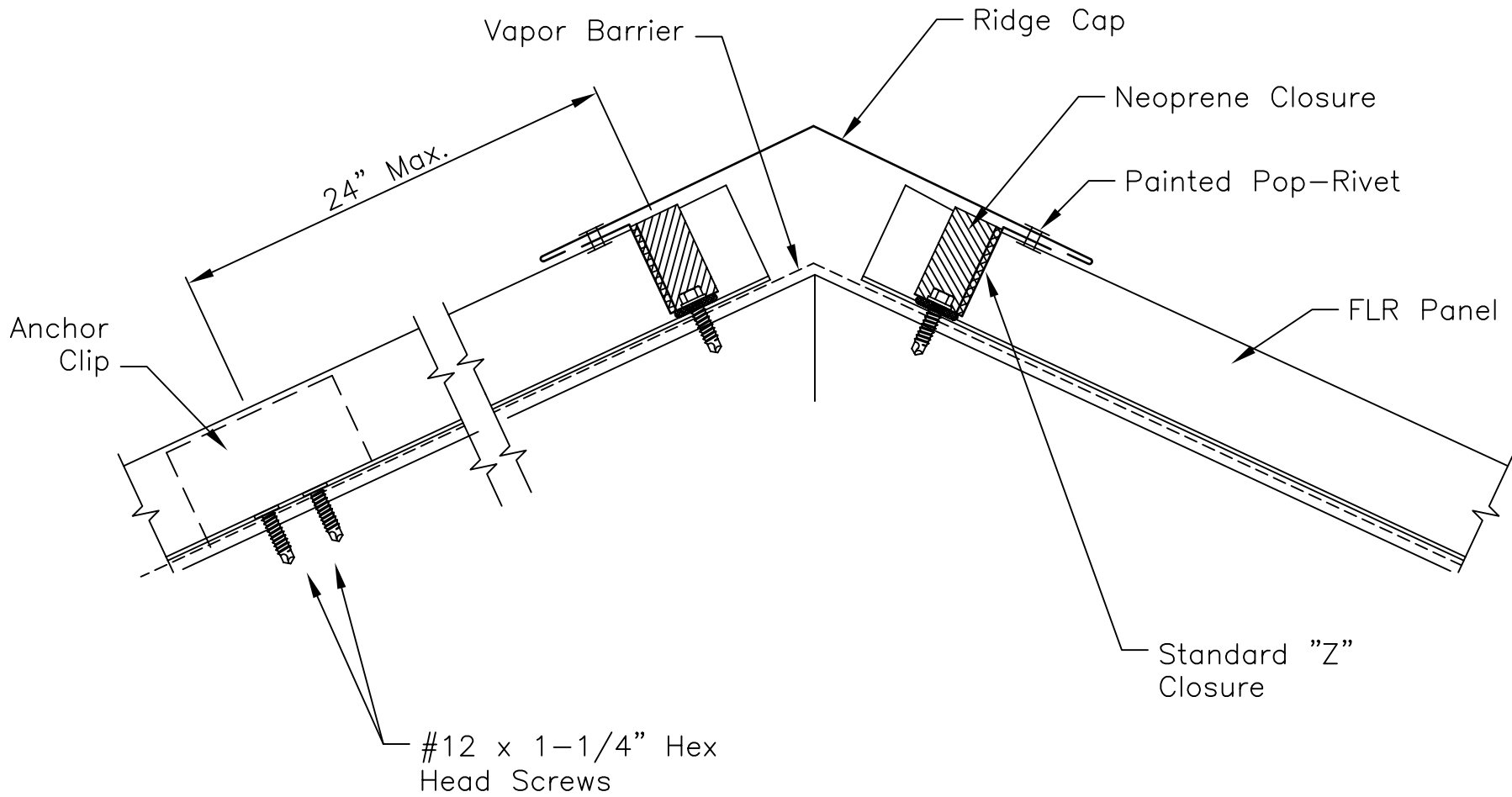
| Rev. No. | Revision Date | Drawn By | Description of Revision           |
|----------|---------------|----------|-----------------------------------|
| 0        | 5-31-06       | DAS      | <b>FLR Headwall - Steep Slope</b> |



ATAS INTERNATIONAL, INC.  
 Allentown PA  
 610-395-8445  
 Mesa AZ  
 480-558-7210

|                    |      |                              |          |          |      |            |          |                              |  |          |  |
|--------------------|------|------------------------------|----------|----------|------|------------|----------|------------------------------|--|----------|--|
| TITLE              |      |                              |          |          |      |            |          | <b>FLR Hip - Steep Slope</b> |  |          |  |
| DWG NO. / FILE NO. |      | <b>FLR Hip - Steep Slope</b> |          |          |      |            |          | SCALE                        |  | 3"=1'-0" |  |
| DRAWN BY           | DAS  | DATE                         | 3-6-06   | APPR. BY | JEB  | DATE       | 5-31-06  |                              |  |          |  |
| REVISION NO.       | XXXX | REVISION DATE                | MM/DD/YY | APPR. BY | XXXX | APPR. DATE | MM/DD/YY |                              |  |          |  |

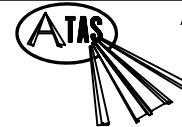
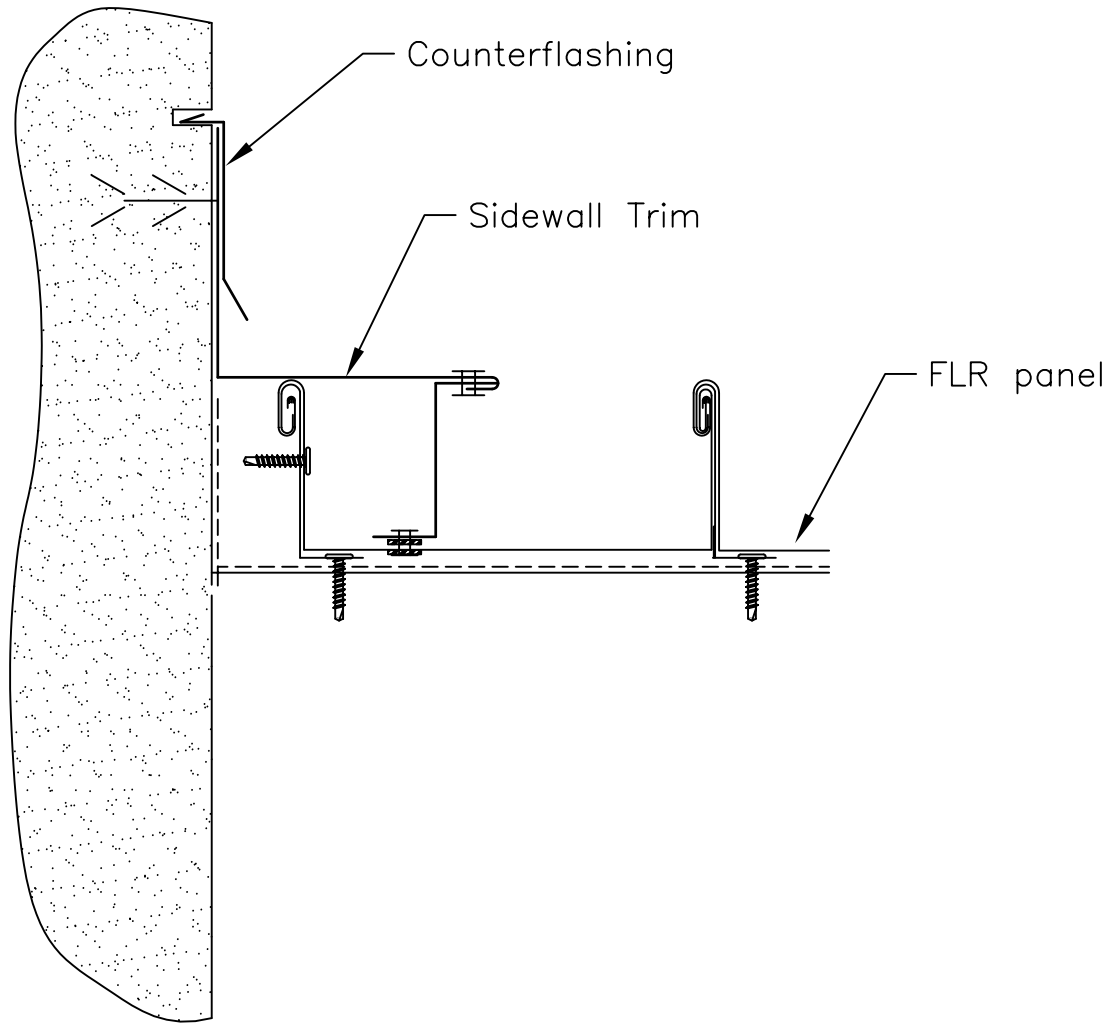
| Rev. No. | Revision Date | Drawn By | Description of Revision      |
|----------|---------------|----------|------------------------------|
| 0        | 5-31-06       | DAS      | <b>FLR Hip - Steep Slope</b> |



ATAS INTERNATIONAL, INC.  
 Allentown PA  
 610-395-8445  
 Mesa AZ  
 480-558-7210

|                    |      |                                |          |          |       |            |          |
|--------------------|------|--------------------------------|----------|----------|-------|------------|----------|
| TITLE              |      | <b>FLR Ridge - Steep Slope</b> |          |          |       |            |          |
| DWG NO. / FILE NO. |      | <b>FLR Ridge - Steep Slope</b> |          |          | SCALE | 3"=1'-0"   |          |
| DRAWN BY           | DAS  | DATE                           | 3-6-06   | APPR. BY | JEB   | DATE       | 5-31-06  |
| REVISION NO.       | XXXX | REVISION DATE                  | MM/DD/YY | APPR. BY | XXXX  | APPR. DATE | MM/DD/YY |

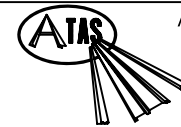
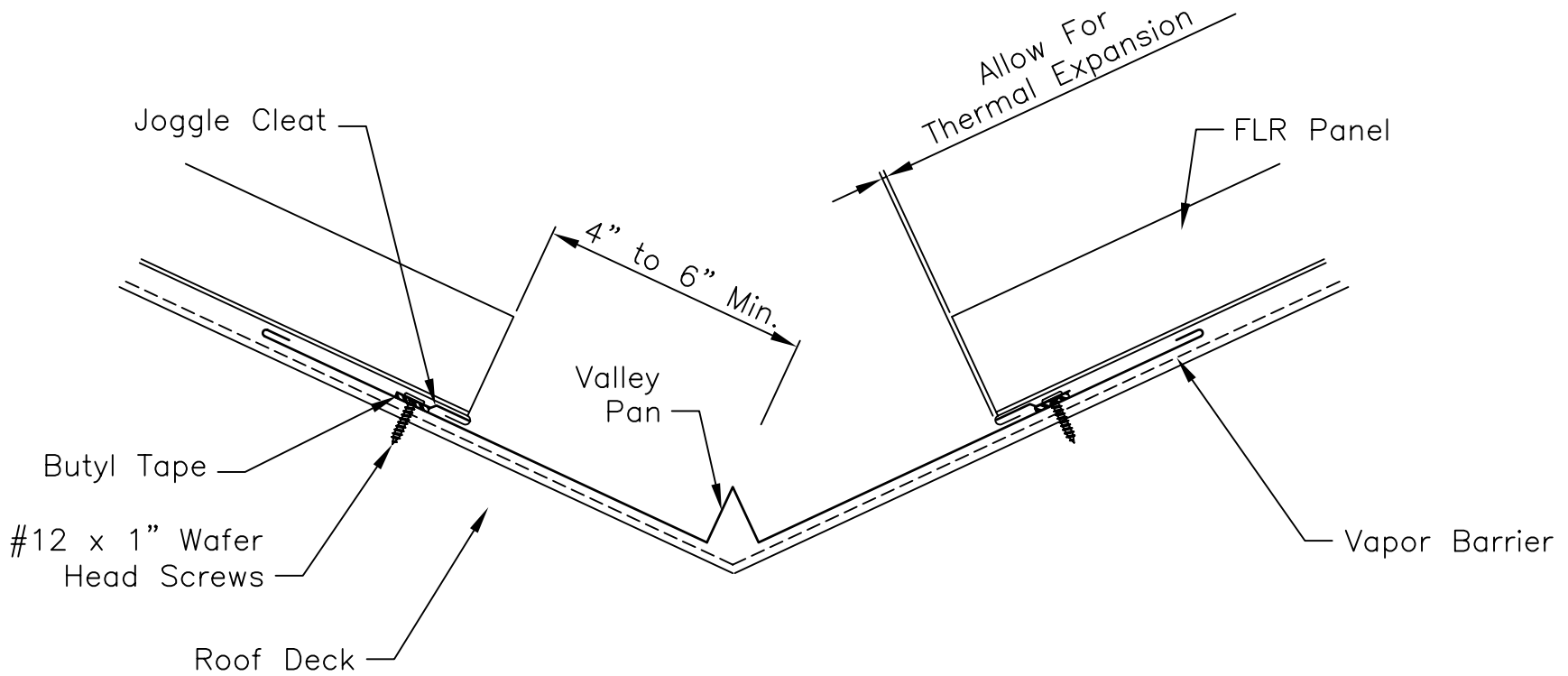
| Rev. No. | Revision Date | Drawn By | Description of Revision        |
|----------|---------------|----------|--------------------------------|
| 0        | 5-31-06       | DAS      | <b>FLR Ridge - Steep Slope</b> |



ATAS INTERNATIONAL, INC.  
 Allentown PA  
 610-395-8445  
 Mesa AZ  
 480-558-7210

|                    |      |                                   |          |          |      |            |          |
|--------------------|------|-----------------------------------|----------|----------|------|------------|----------|
| TITLE              |      | <b>FLR Sidewall - Steep Slope</b> |          |          |      |            |          |
| DWG NO. / FILE NO. |      | <b>FLR Sidewall - Steep Slope</b> |          |          |      | SCALE      | 3"=1'-0" |
| DRAWN BY           | DAS  | DATE                              | 3-6-06   | APPR. BY | JEB  | DATE       | 5-31-06  |
| REVISION NO.       | XXXX | REVISION DATE                     | MM/DD/YY | APPR. BY | XXXX | APPR. DATE | MM/DD/YY |

| Rev. No. | Revision Date | Drawn By | Description of Revision           |
|----------|---------------|----------|-----------------------------------|
| 0        | 5-31-06       | DAS      | <b>FLR Sidewall - Steep Slope</b> |



ATAS INTERNATIONAL, INC.  
 Allentown PA  
 610-395-8445  
 Mesa AZ  
 480-558-7210

|  |      |                                 |          |          |      |                |          |
|--|------|---------------------------------|----------|----------|------|----------------|----------|
| <b>TITLE</b> <b>FLR Valley - Steep Slope</b> |      |                                 |          |          |      |                |          |
| DWG NO. / FILE NO.                           |      | <b>FLR Valley - Steep Slope</b> |          |          |      | SCALE 3"=1'-0" |          |
| DRAWN BY                                     | DAS  | DATE                            | 3-6-06   | APPR. BY | JEB  | DATE           | 5-31-06  |
| REVISION NO.                                 | XXXX | REVISION DATE                   | MM/DD/YY | APPR. BY | XXXX | APPR. DATE     | MM/DD/YY |

| Rev. No. | Revision Date | Drawn By | Description of Revision         |
|----------|---------------|----------|---------------------------------|
| 0        | 5-31-06       | DAS      | <b>FLR Valley - Steep Slope</b> |