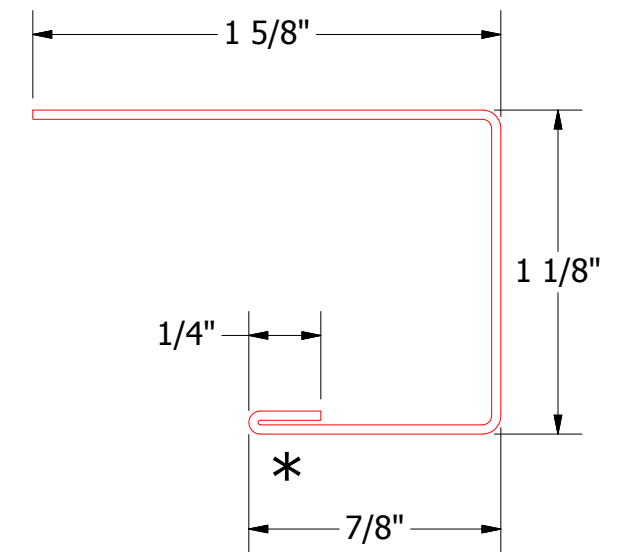
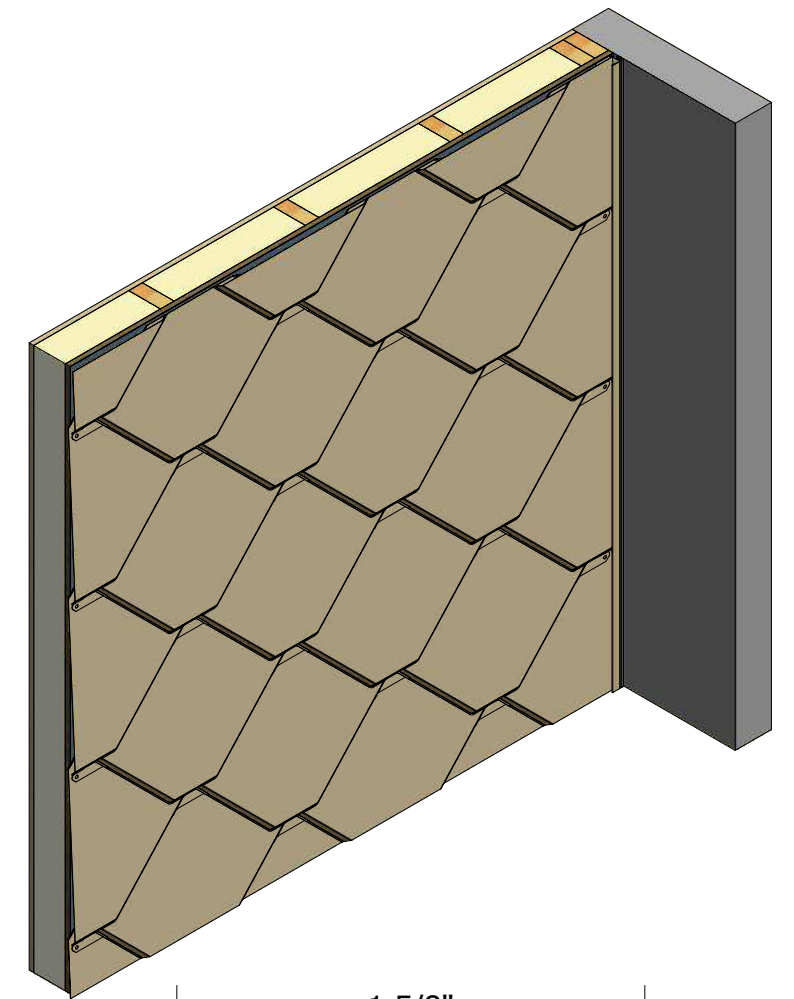
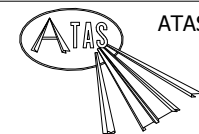


Wall Application



HCAxxx-J Channel



ATAS INTERNATIONAL, INC  
 Allentown PA  
 610-395-8445  
 Mesa AZ  
 480-558-7210

TITLE  
**Castle Top Endwall Detail**

REV. NO.	DATE	DESCRIPTION OF REVISION	BY	APP	DWG. NO.	DR	DATE
						KRK	8/29/2014
					MATERIAL	APP	DATE
					SH. SIZE	B	SCALE
							X:X