

ATAS International, Inc.

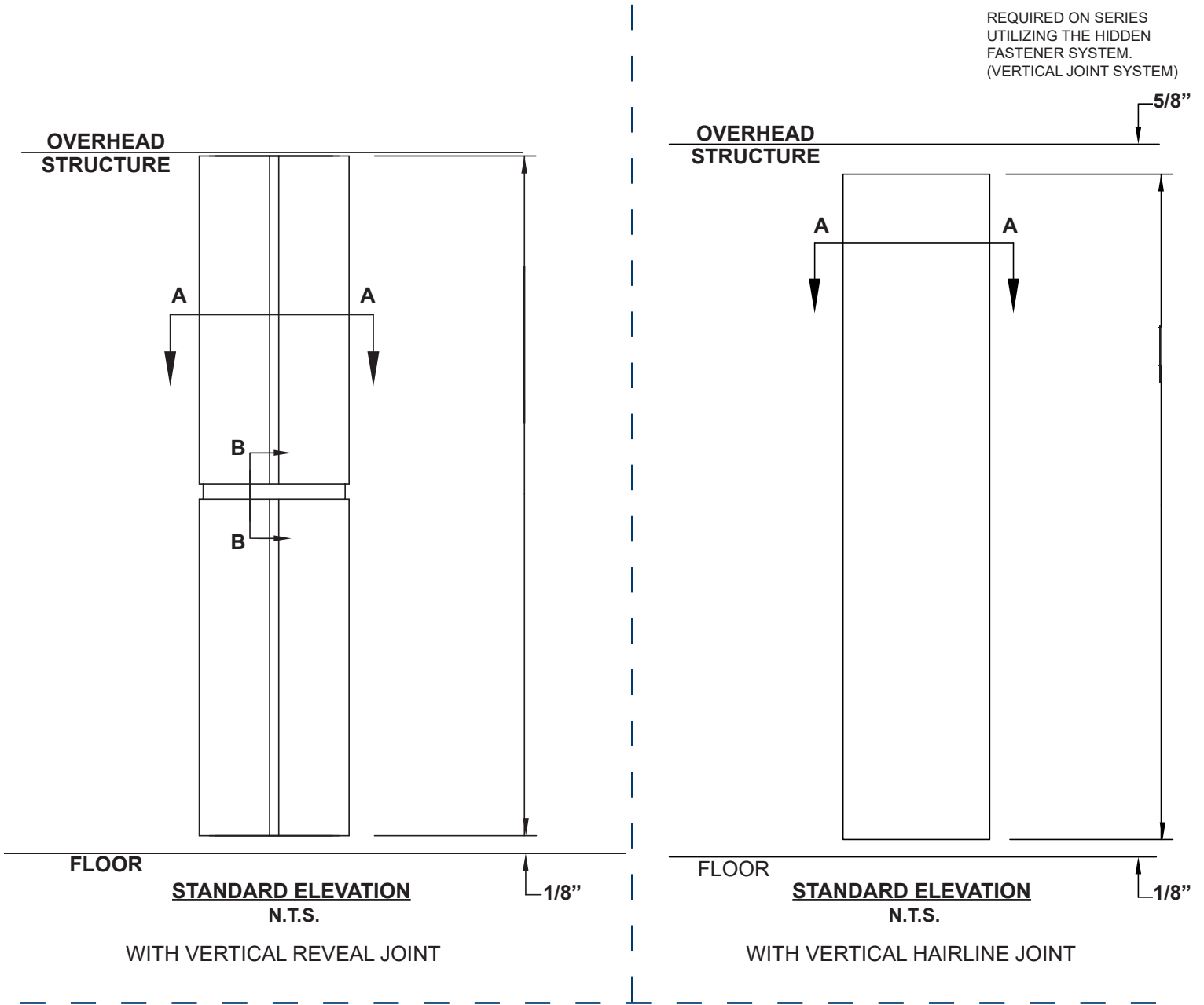
Sustainable Building Envelope Technology



COLUMN COVERS

COLUMN COVERS

NOTE HOW INTERIOR STRUCTURE MAY VARY

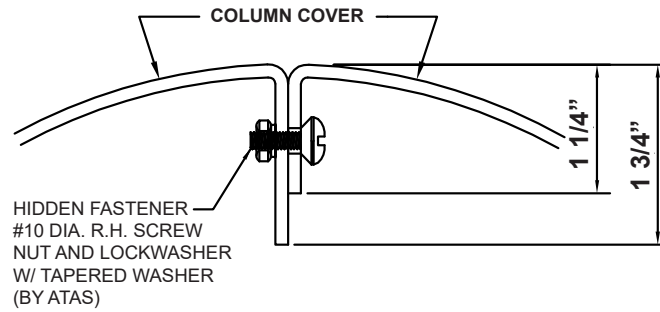


COLUMN COVERS

MINIMUM 12" DIAMETER FROM .090 OR .125 ALUMINUM HAVING A 70% PVDF/ HYLAR 5000® PVDF FINISH IN A WIDE RANGE OF 31 STANDARD COLORS.

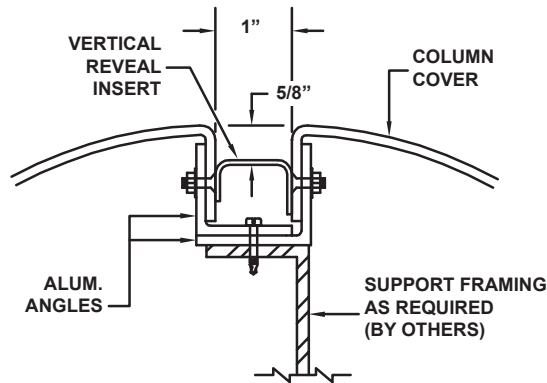
THESE COLUMN COVER ASSEMBLIES ARE FURNISHED IN CUSTOM LENGTHS. COLUMNS OVER 12'-0" IN HEIGHT REQUIRE STACKED UNITS WITH HORIZONTAL HAIRLINE OR REVEAL JOINTS (see detail C-C & B-B).

VERTICAL JOINTURES



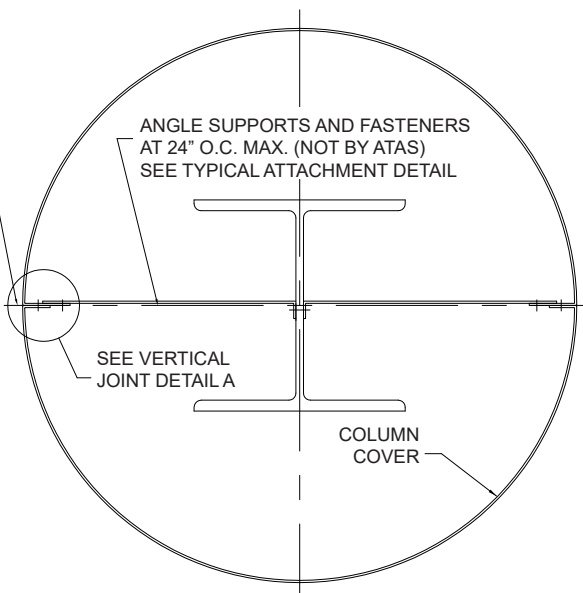
FASTENING LEGS TO BE PARALLEL. COLUMN COVER SHALL HAVE A FLUSH APPEARANCE FROM THE OUTSIDE. PLEASE NOTE: THIS STYLE REQUIRES 5/8" MINIMUM CLEARANCE ABOVE TOP OF COLUMN COVER.

VERTICAL JOINT DETAIL C - C
N.T.S.



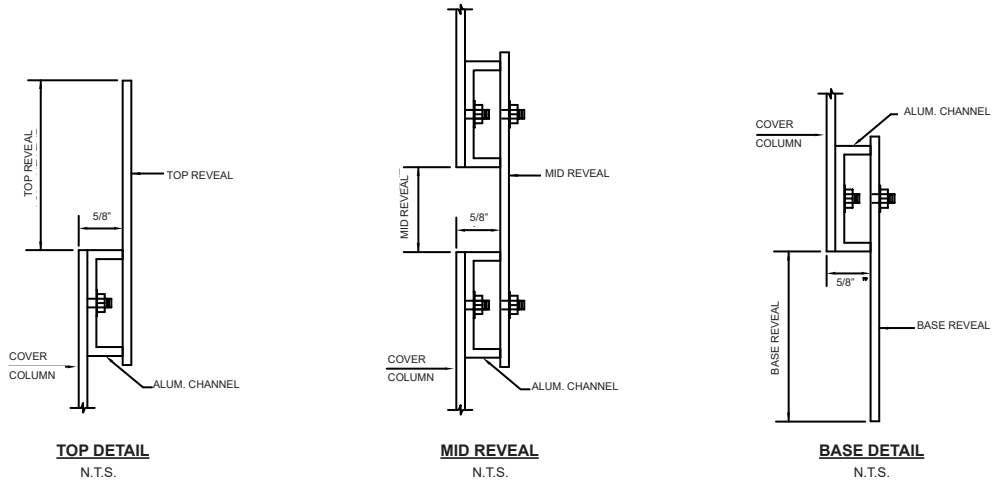
VERTICAL REVEAL DETAIL A - A
N.T.S.

ORIENTATION OF VERTICAL JOINTS SHALL BE ACCOMPLISHED IN FIELD BY INSTALLER, AND SUBJECT TO ARCHITECT'S APPROVAL

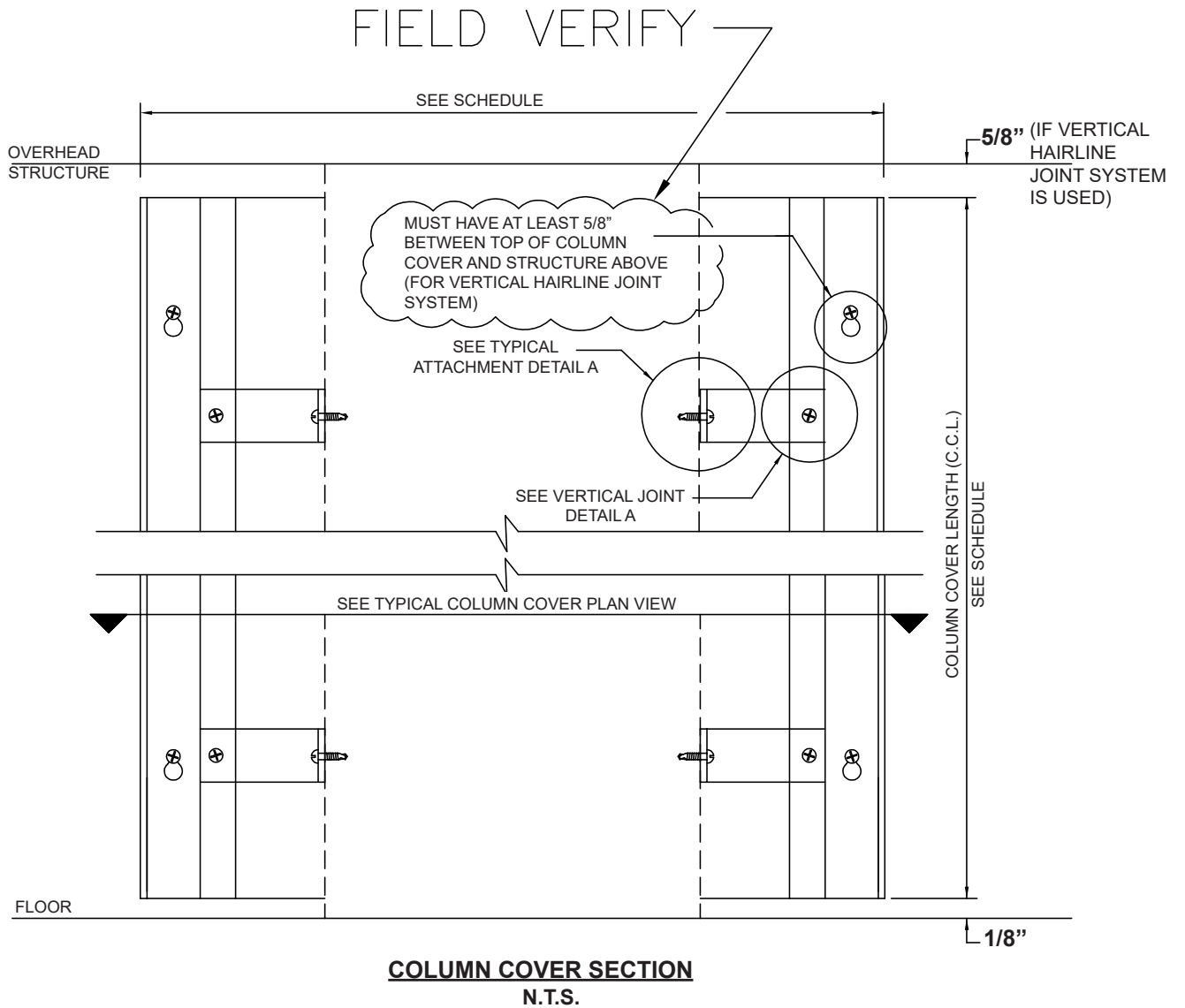


COLUMN COVER PLAN VIEW

SPECIAL JOINTURES



DETAIL B - B



COLUMN COVER SECTION
N.T.S.