

Trim Work Form

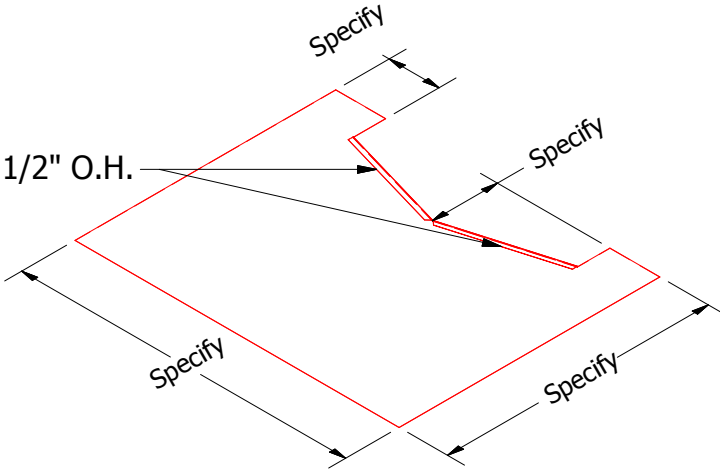
Effective: 1/16/2018

Name: _____

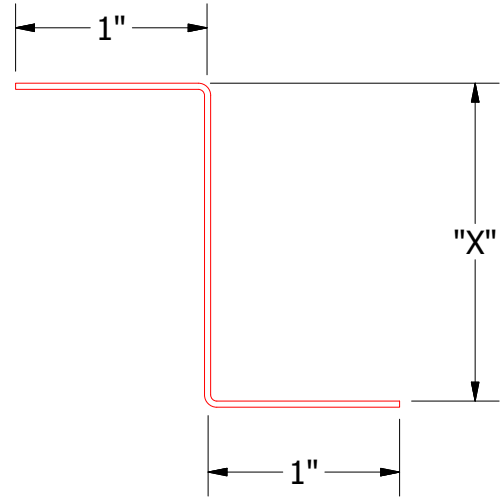
Page ____ of ____

ATAS Order # _____

Product Name: Flashing Pan PART # 1



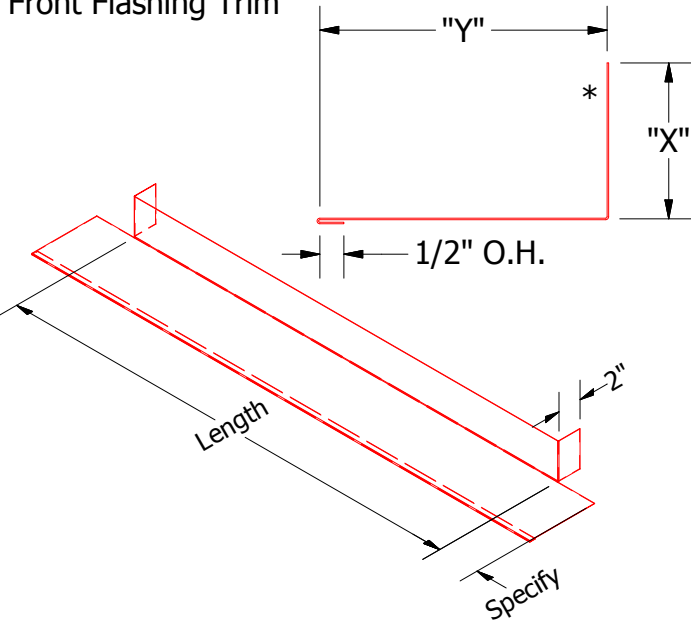
Product Name: Z Closure PART # 2



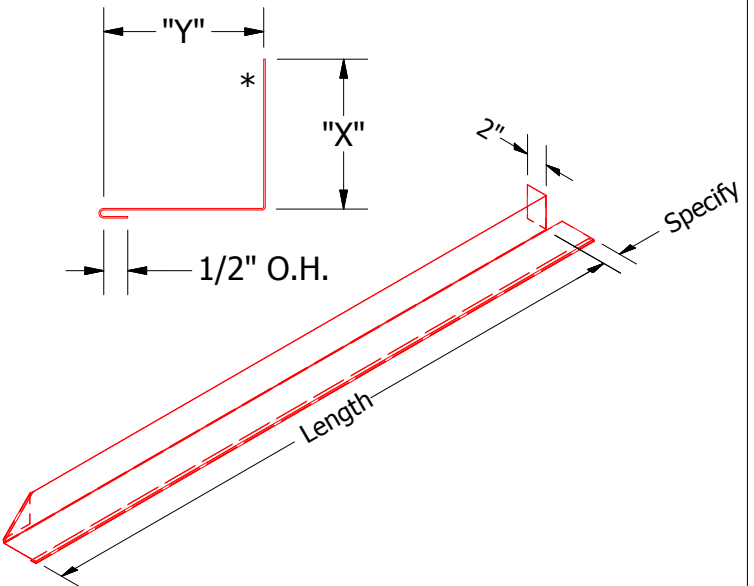
| | | | |
|-------------|----------|------------|---------|
| Material | Aluminum | Gauge | Specify |
| # of Pieces | Specify | Str. Width | NA |
| Length | NA | Embossed | NO |
| Color | Specify | Splice | NO |

| | | | |
|-------------|----------|------------|----------|
| Material | Aluminum | Gauge | Specify |
| # of Pieces | Specify | Str. Width | 2.000"+X |
| Length | Specify | Embossed | NO |
| Color | Specify | Splice | NO |

Product Name: Front Flashing Trim PART # 3



Product Name: Side Flashing Trim PART # 4



| | | | |
|-------------|----------|------------|-----------|
| Material | Aluminum | Gauge | Specify |
| # of Pieces | Specify | Str. Width | .500"+X+Y |
| Length | Specify | Embossed | NO |
| Color | Specify | Splice | NO |

| | | | |
|-------------|----------------------|------------|-----------|
| Material | Aluminum | Gauge | Specify |
| # of Pieces | ____ Left ____ Right | Str. Width | .500"+X+Y |
| Length | Specify | Embossed | NO |
| Color | Specify | Splice | NO |

Trim Work Form

Effective: 1/16/2018

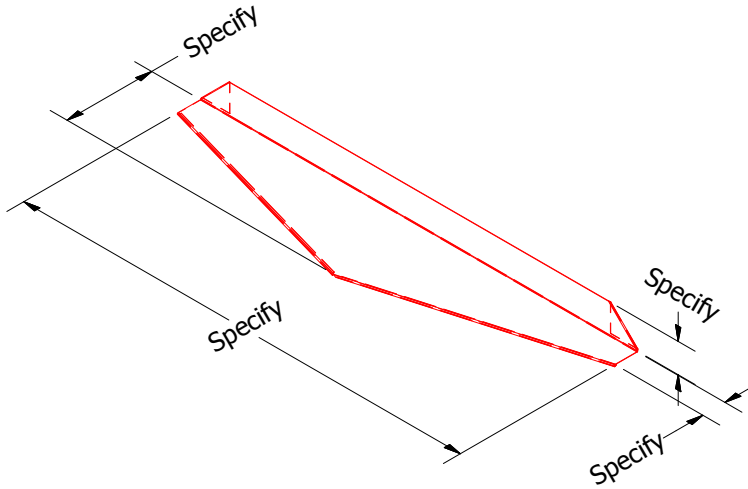
Name: _____

Page _____ of _____

ATAS Order # _____

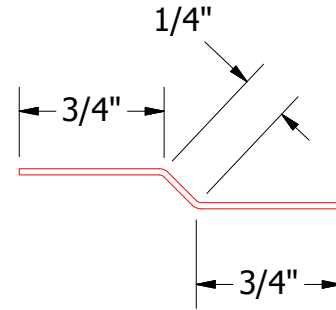
Product Name:
Back Flashing Trim

PART # 5



Product Name: Joggle Cleat

PART # 6



| | | | |
|-------------|----------|------------|---------|
| Material | Aluminum | Gauge | Specify |
| # of Pieces | Specify | Str. Width | NA |
| Length | Specify | Embossed | NO |
| Color | Specify | Splice | NO |

| | | | |
|-------------|----------|------------|---------|
| Material | Aluminum | Gauge | Specify |
| # of Pieces | Specify | Str. Width | 1.750" |
| Length | Specify | Embossed | NO |
| Color | Specify | Splice | NO |

Product Name: _____ PART # _____

Product Name: _____ PART # _____

| | |
|-------------|------------|
| Material | Gauge |
| # of Pieces | Str. Width |
| Length | Embossed |
| Color | Splice |

| | |
|-------------|------------|
| Material | Gauge |
| # of Pieces | Str. Width |
| Length | Embossed |
| Color | Splice |