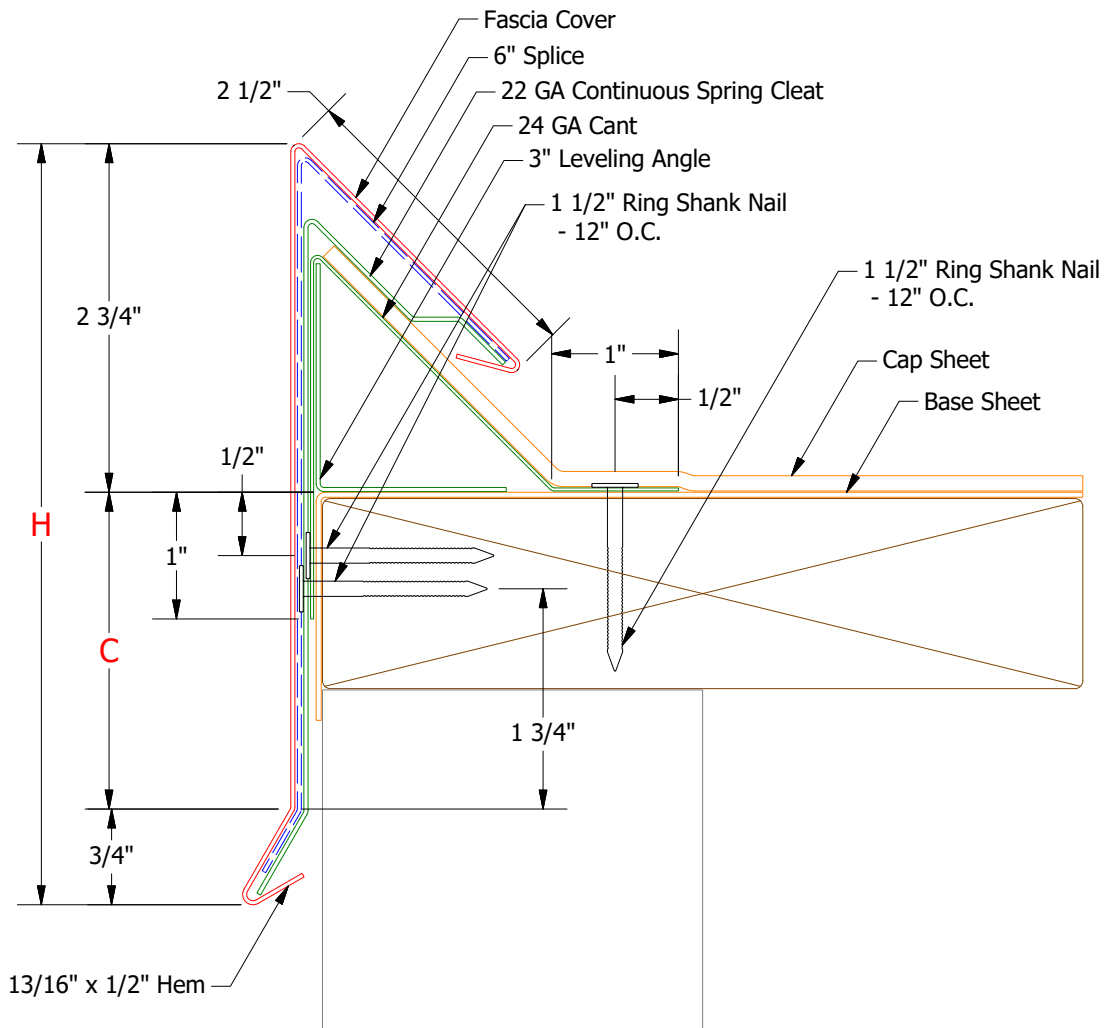
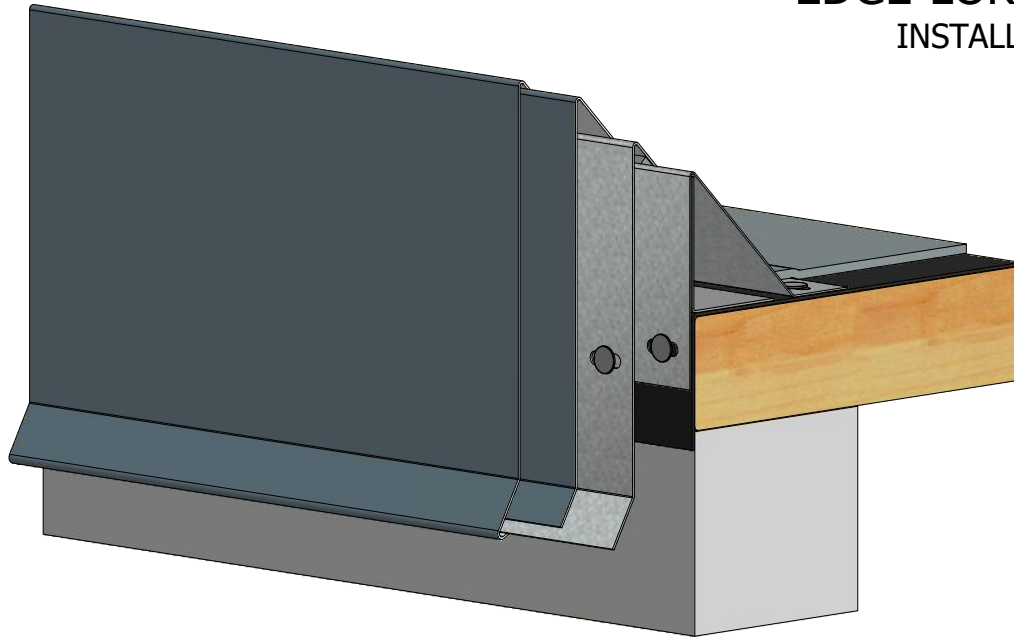
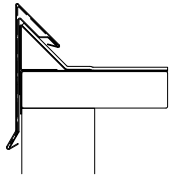
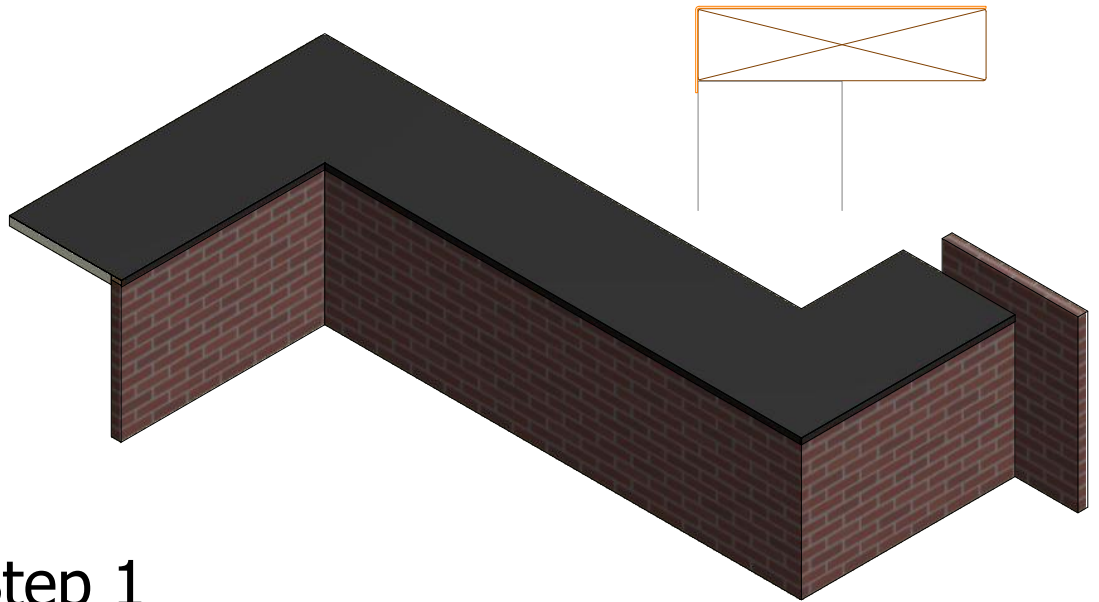


EDGE-LOK 3 FASCIA INSTALLATION GUIDE



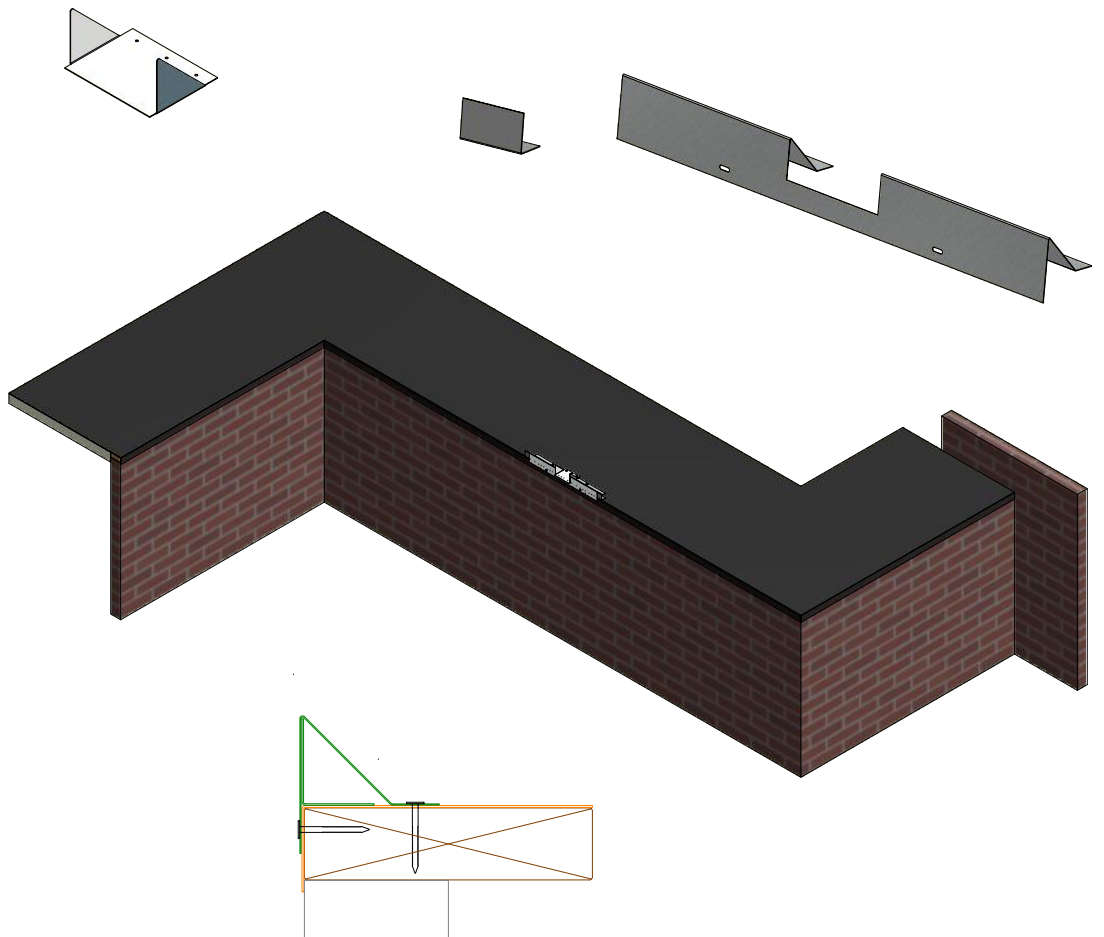


1) Wood blocking must be flush with the face of the wall below. Roof membrane must cover the wood extending 1" below the bottom of the blocking.

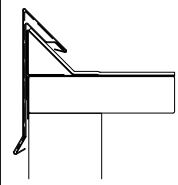


Step 1

2) Locate and position Notched Cant at any scupper locations. Install a 3" Leveling Angle 1 1/2" inside each side of the notched Cant. With the Cant plumb and tight to top of the Leveling Angle, secure it to the blocking with provided 1 1/2" ring shank nails. Install one nail through each slotted hole at 12" O.C. front and top (See Detail A). Position scupper in the notched Cant and secure by nailing through the pre-punched holes in the Roof Flange.

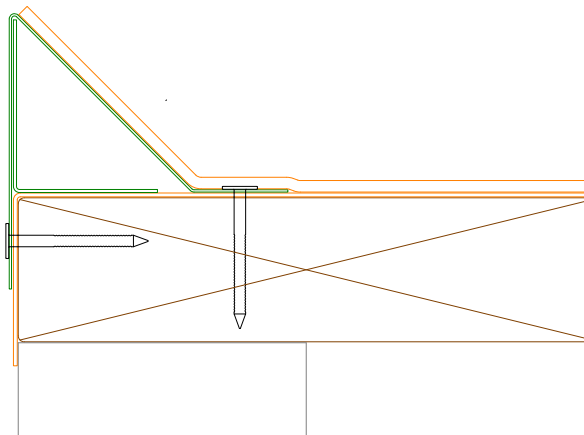
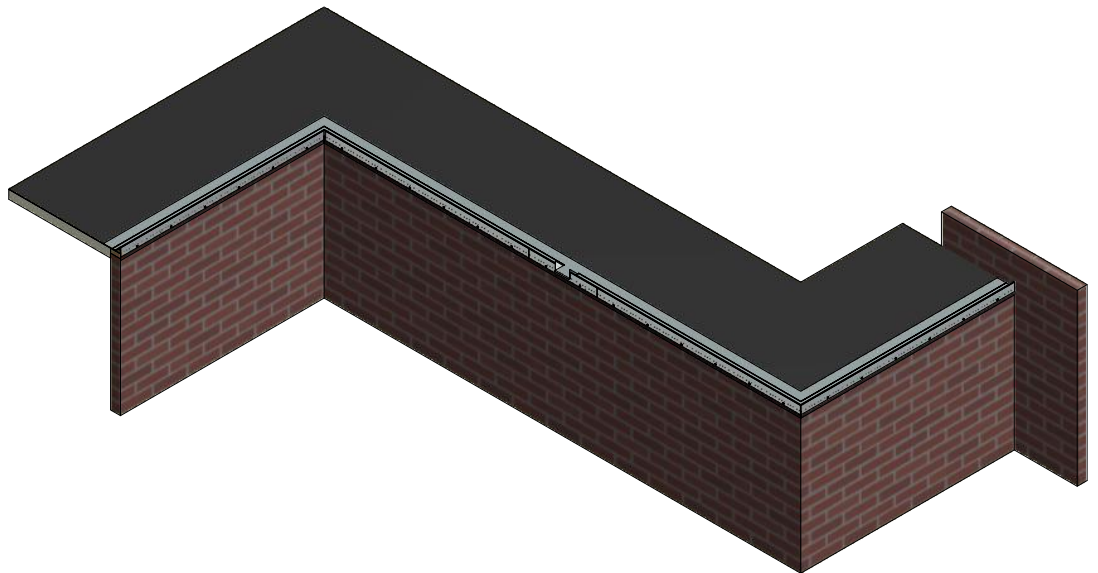
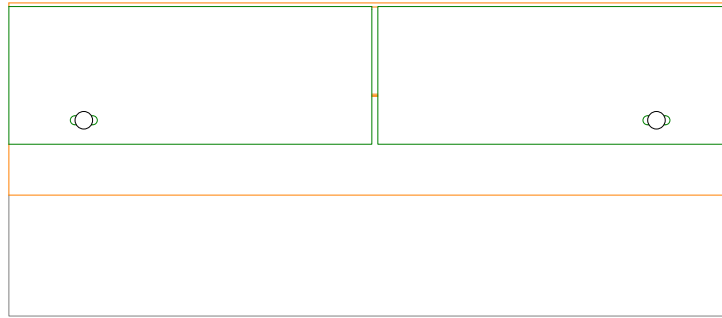


Step 2

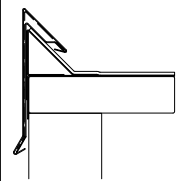


3) Position 24 ga. Cants at roof edge with a 3" Leveling Angle 1 1/2" inside each end. With the Cant plumb and tight to top of the Leveling Angle, secure it to the blocking with provided 1 1/2" ring shank nails. Install one nail through each slotted hole at 12" O.C. front and top (See Detail A). Miter Cant at corners taking care to not leave any sharp edges, and position Leveling angle under mitered ends, then secure with nails as described above. **Leave 1/8" gap between each Cant section** for expansion. Install cap sheet or strip-in ply over Cant per membrane manufacturer's recommendations, trimming at the cop of the Cant, and strip-in any scuppers or end conditions per membrane manufacturer's recommendations (See Detail B).

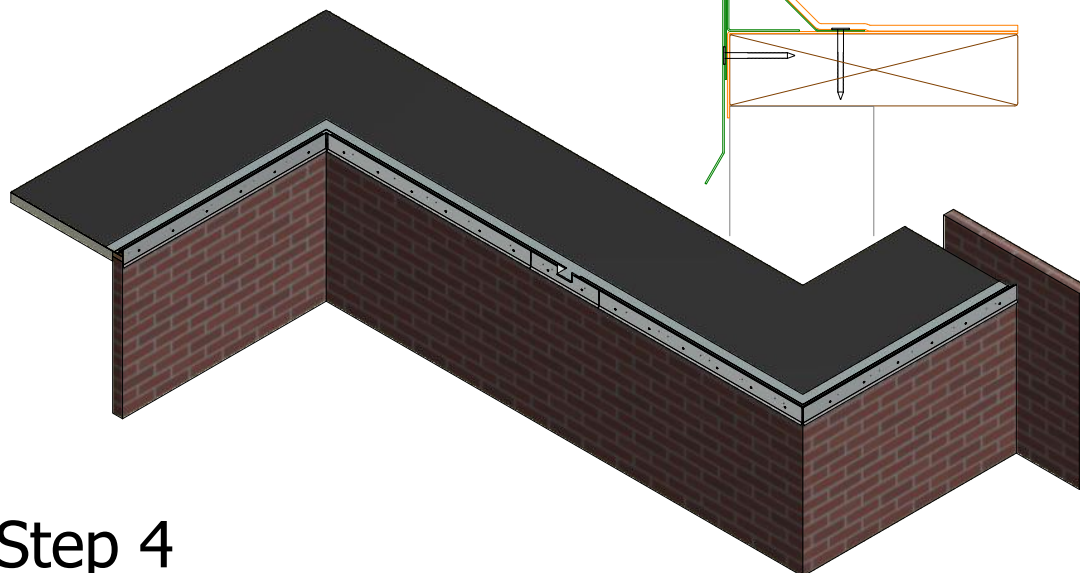
1/8" → ←



Step 3

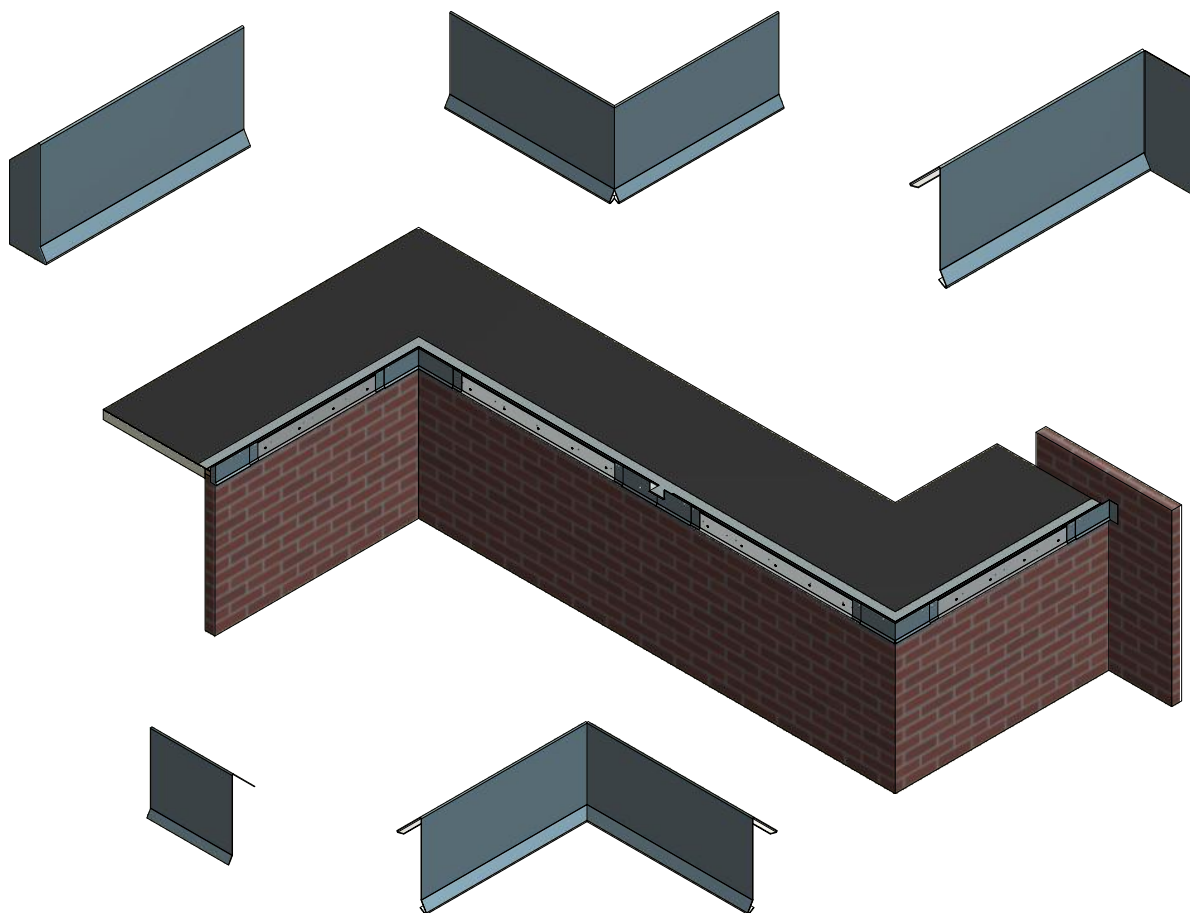


4) Set continuous 22 ga. Spring Cleat on top of Cant, tight against the roof membrane. Secure the Spring Cleat with provided 1 1/2" ring shank nails (See Detail C). Install one nail through each slotted hole at 12" O.C. on the face.

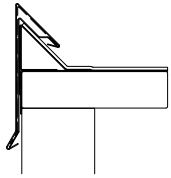


Step 4

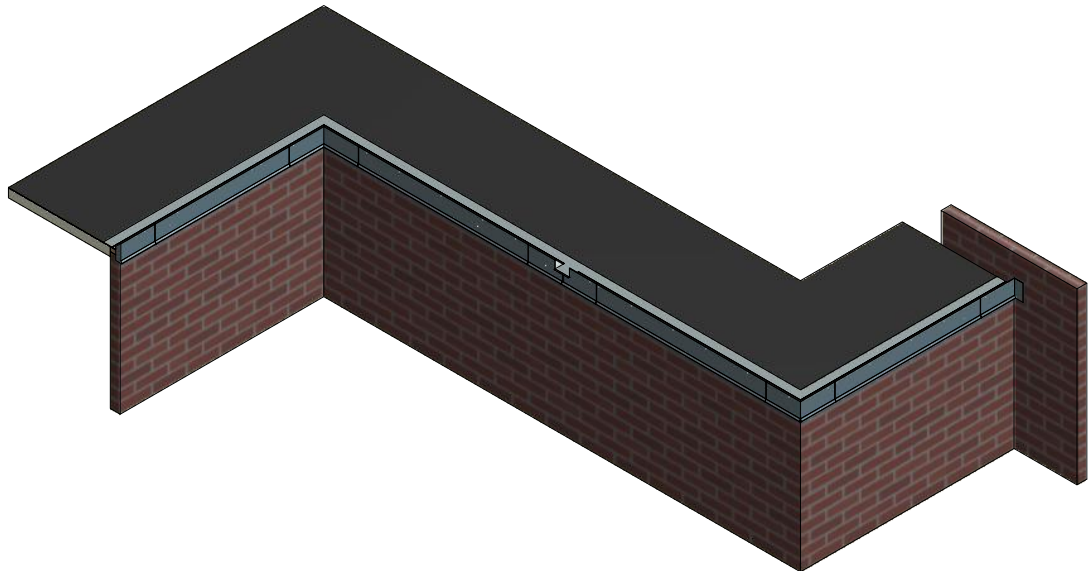
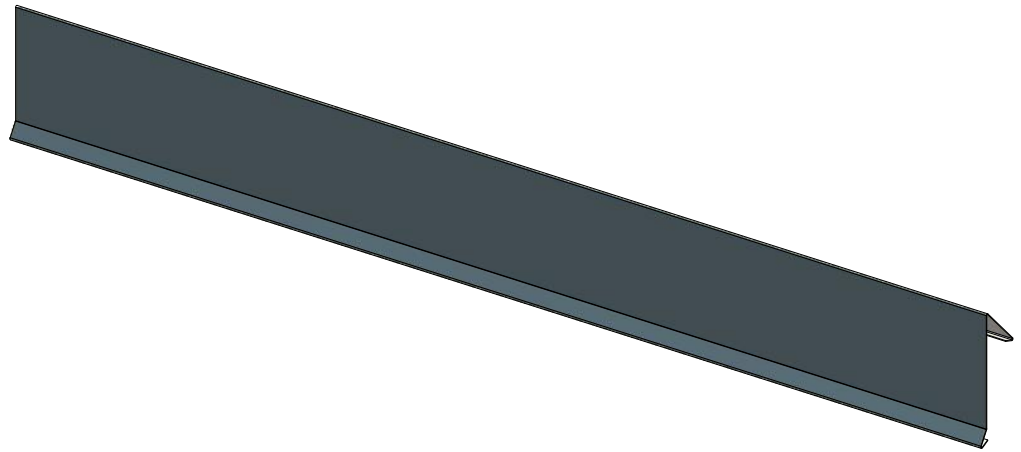
5) First install fascia Mitters, End Closures, and End Terms. Set a Splice on the Spring Cleat at each side of a Miter, or at the open end of an End Closure or End Term, so as to be centered on the ends. Set the fascia Miter, End Closure, or End Term over the top of the Spring Cleat and push down to snap over the top and bottom of the Cleat (See Details D, E, and F) **making sure both legs engage the Spring Cleats**. Install scupper surrounds by setting them over the Spring Cleat on each side of the scupper and pushing down to snap on. Then slide the surrounds under the Splice to butt tight in the middle. Slip a Splice under each side of the surround.

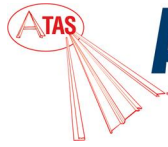
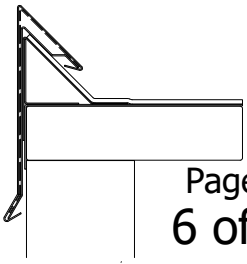


Step 5



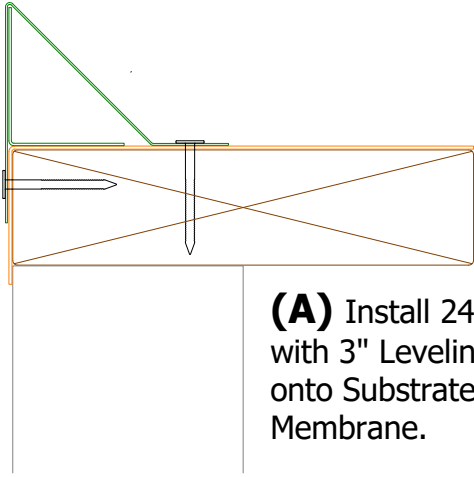
6) Plan fascia layout to avoid cutting any section shorter than 5'-0" if possible, and to balance joints with cut sections at the center or both ends of a run. Set a Splice on the Spring Cleat 12'-0" from the adjacent fascia miter or end. Set the fascia over the top of the Spring Cleat and push down to snap the hem over the bottom of the Cleat (See Details D, E, and F) **Leave a 1/4" gap between sections** for expansion.



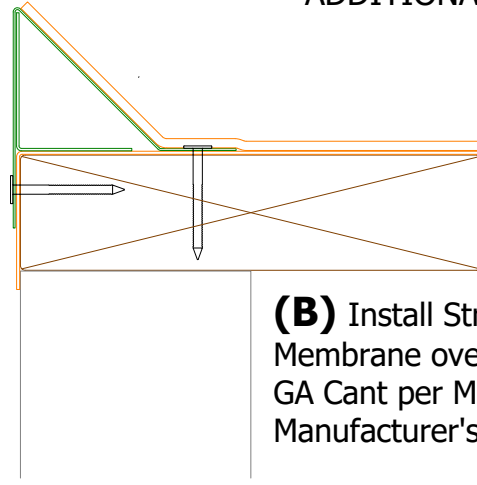


For more information go to: www.atas.com

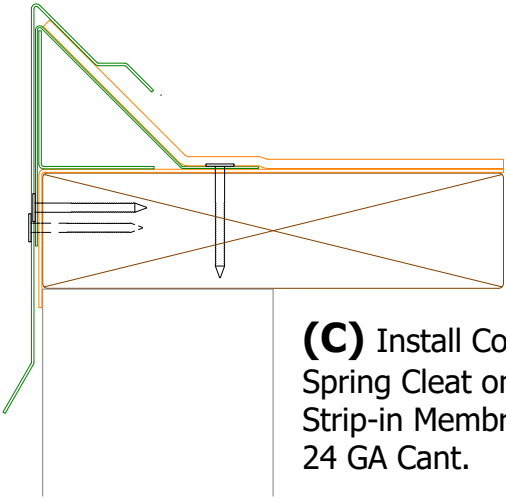
EDGE-LOK 3 FASCIA ADDITIONAL DETAILS



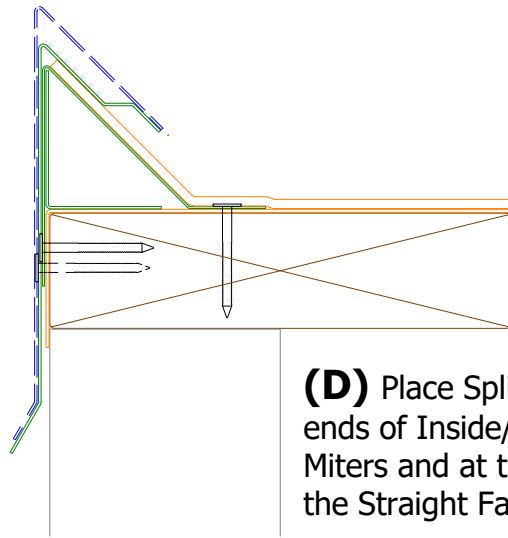
(A) Install 24 GA Cant with 3" Leveling Angle onto Substrate and Roof Membrane.



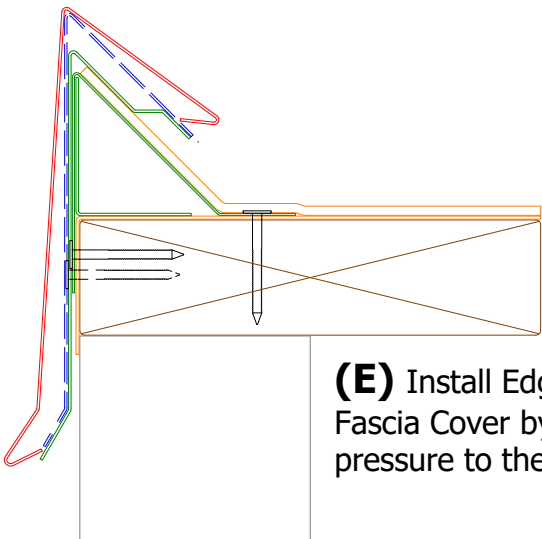
(B) Install Strip-in Membrane over top of 24 GA Cant per Membrane Manufacturer's Directions.



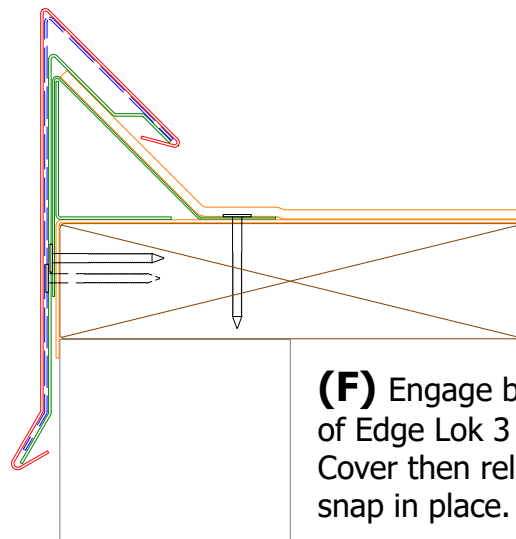
(C) Install Continuous Spring Cleat on top of Strip-in Membrane and 24 GA Cant.



(D) Place Splice Plates at ends of Inside/Outside Miters and at the ends of the Straight Fascia Covers.



(E) Install Edge Lok 3 Fascia Cover by applying pressure to the top.



(F) Engage both Hems of Edge Lok 3 Fascia Cover then release to snap in place.