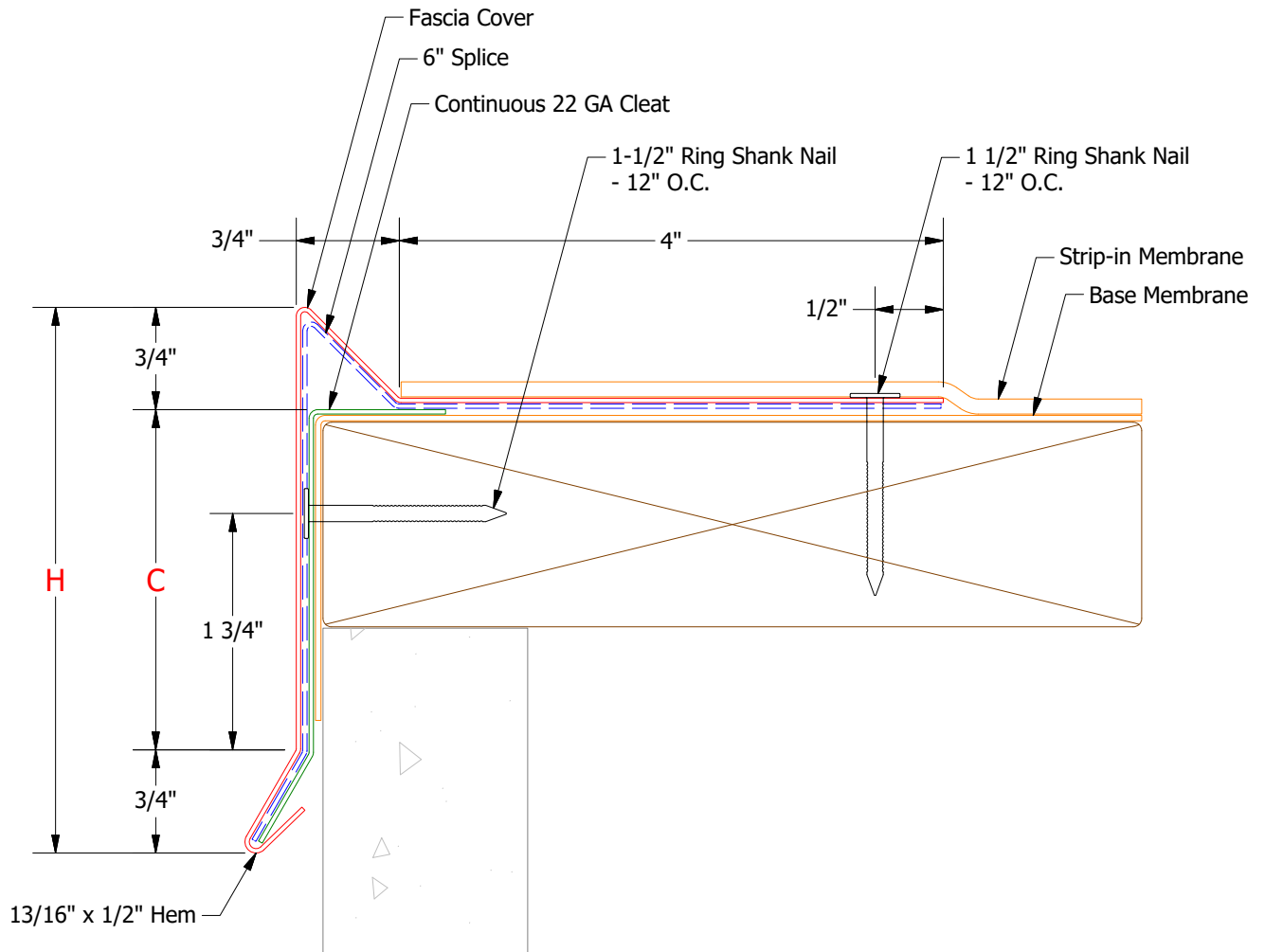
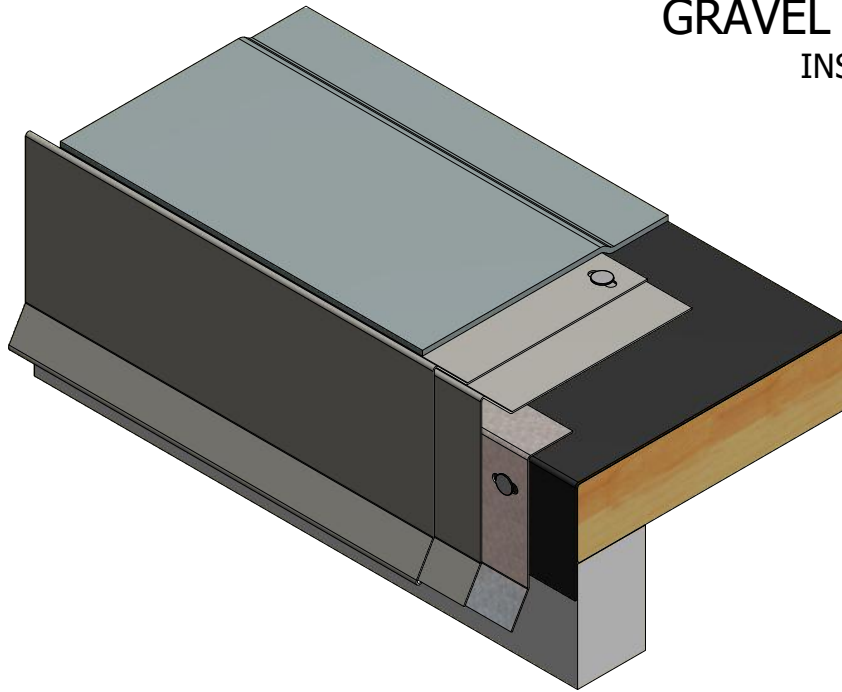
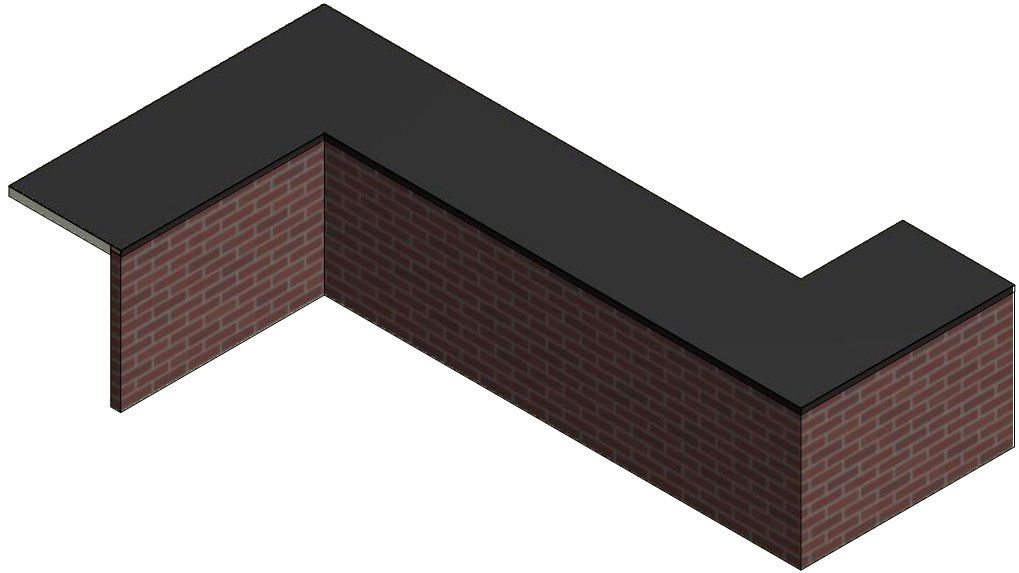


GRAVEL STOP FASCIA INSTALLATION GUIDE

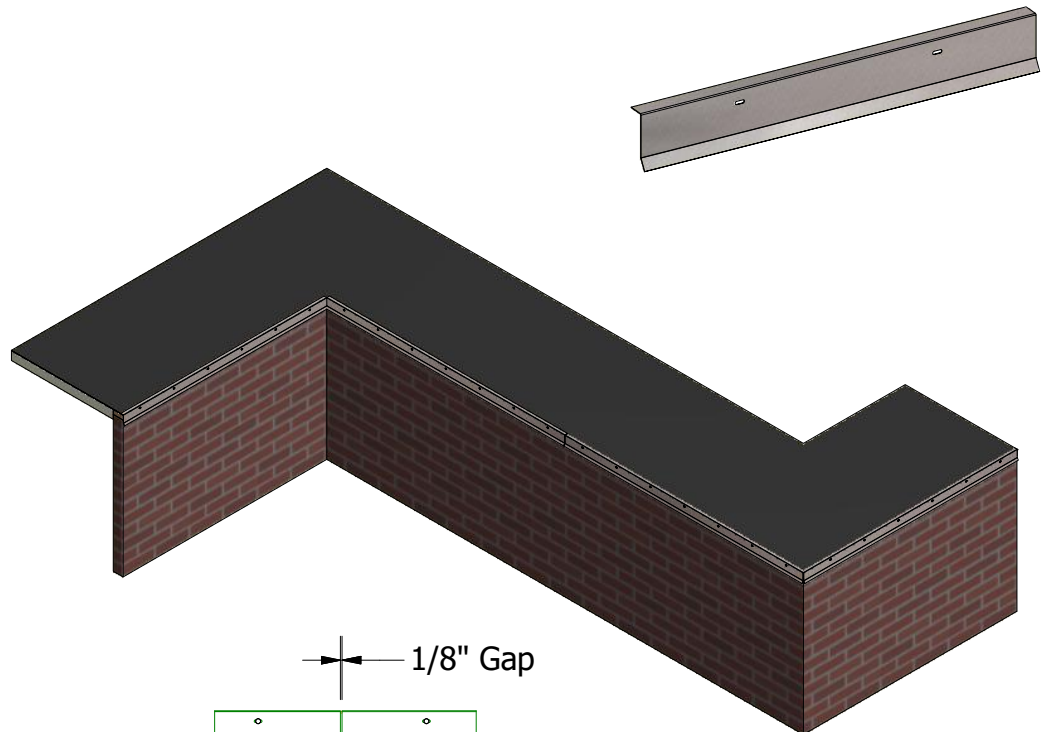


1) Wood blocking must be flush with the face of the wall below. Roof membrane must cover the wood extending 1" below the bottom of the blocking.



Step 1

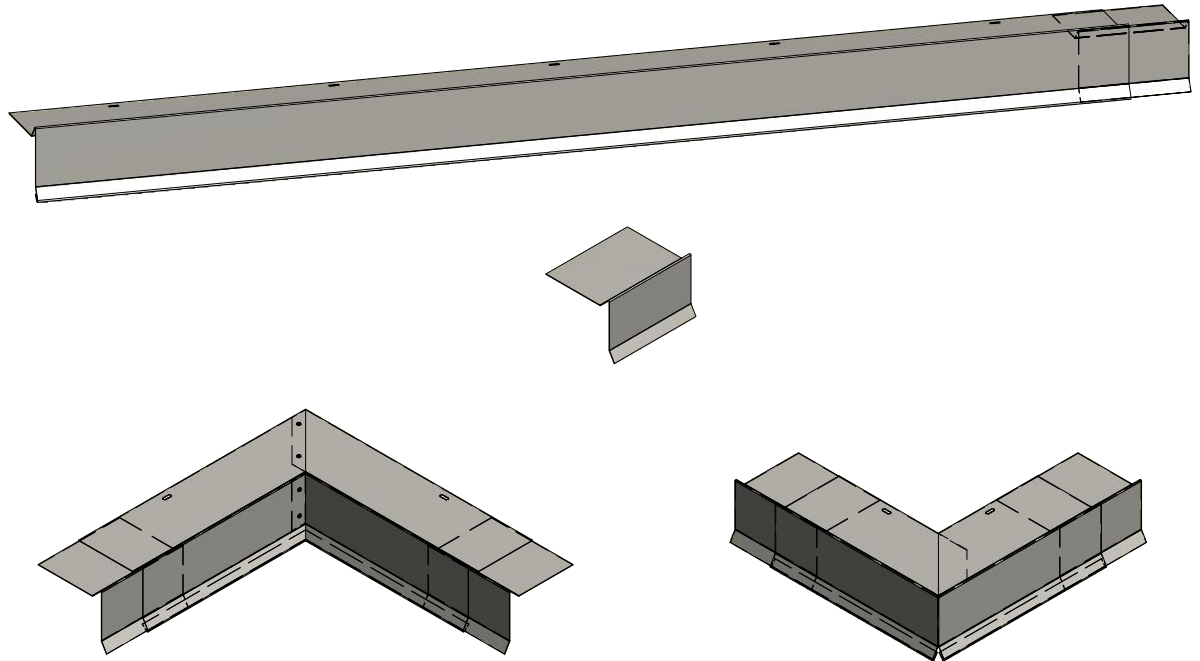
2) Locate cleat on top of the membrane with top flange tight on blocking, then secure through the face with provided 1 1/2" ring shank nails. Install one nail through each slotted hole at 12" O.C. Leave 1/8" gap between each cleat section for expansion.



Step 2

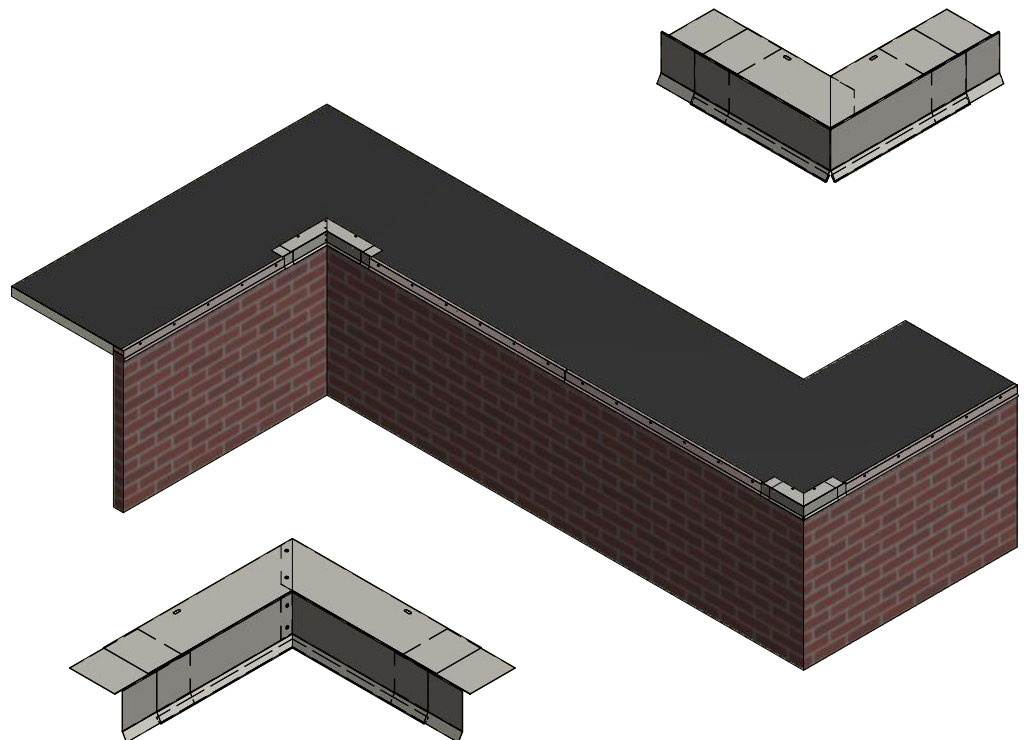


3) Position splices in cover before installing on cleat. Apply sealant to one side of a splice, and position one splice in each end of miters, and in one end of straight sections, sandwiching the sealant.



Step 3

4) Install Gravel Stop miters first. Hook the hem of the Gravel Stop over the cleat and rotate it back onto the roof, taking care to engage both miter legs on the cleat. Secure miter through the roof flange with provided 1 1/2" ring shank nails. Install one nail through each slotted hole.



Step 4

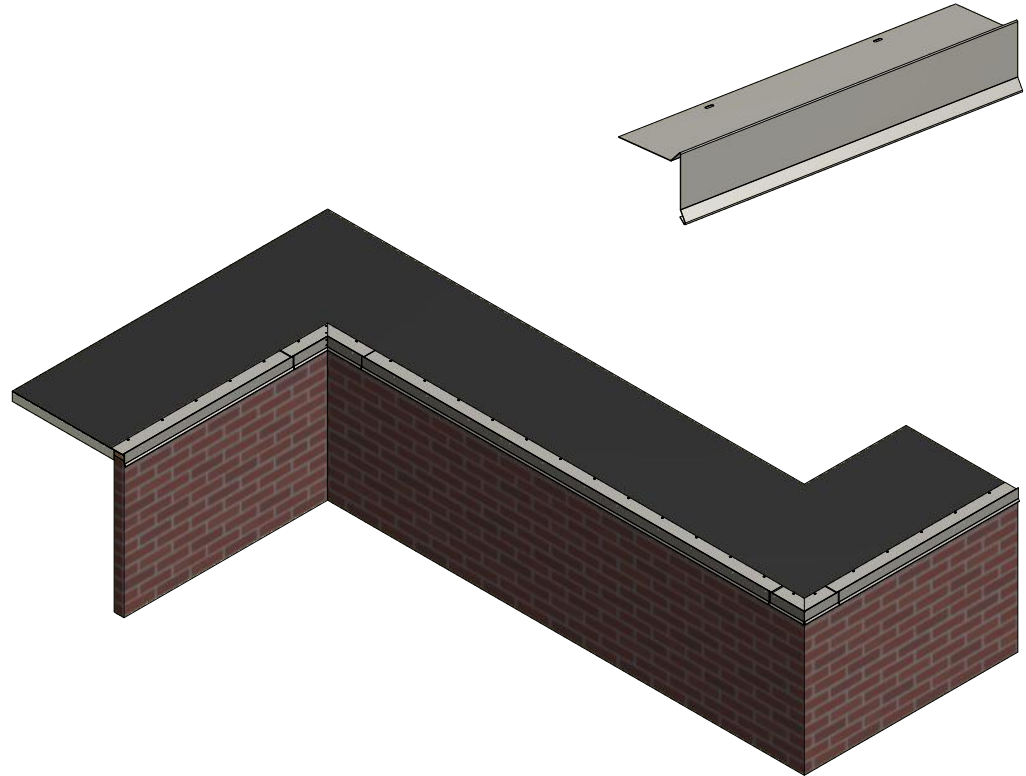


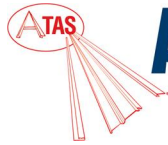
5) Plan Gravel Stop layout to avoid cutting any section shorter than 5'-0" if possible, and to balance joints with cut sections at the center or both ends of a run. Apply sealant on the face of the installed splices. Position splice in the opposite end of the Gravel Stop as per step 3. Hook the hem of the Gravel Stop over the cleat and rotate it back onto the roof and slide sideways over the installed splice. Position the Gravel Stop to **leave a ¼" gap between sections** for expansion. Secure Gravel Stop through the roof flange with provided 1 ½" ring shank nails. Install one nail through each slotted hole.

Step 5

6) Strip-in Gravel Stop roof flange per membrane manufacturer's recommendations.

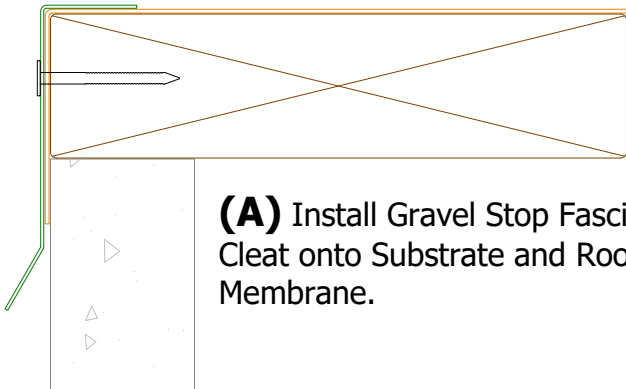
Step 6



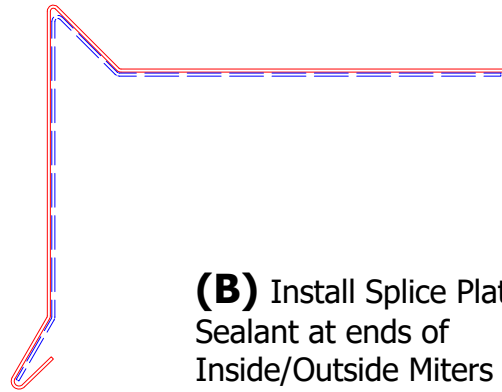


For more information go to: www.atas.com

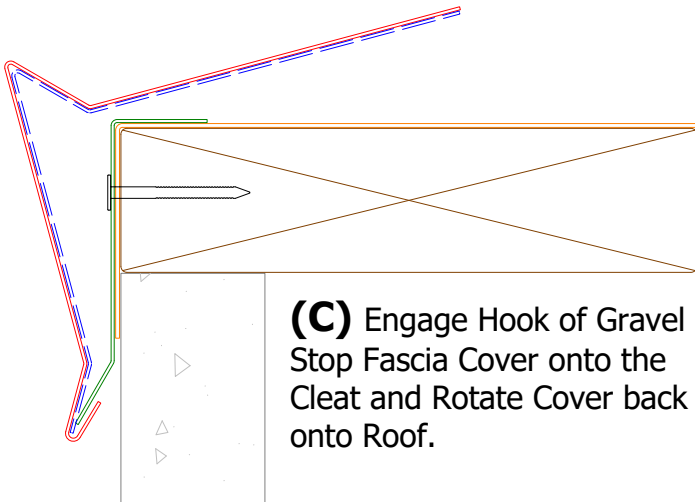
GRAVEL STOP FASCIA ADDITIONAL DETAILS



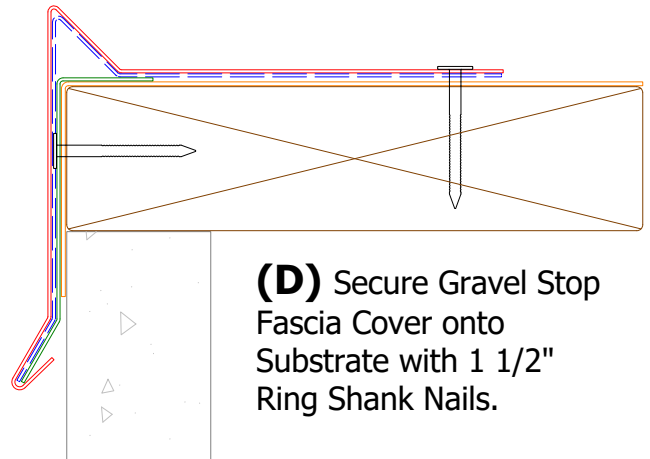
(A) Install Gravel Stop Fascia Cleat onto Substrate and Roof Membrane.



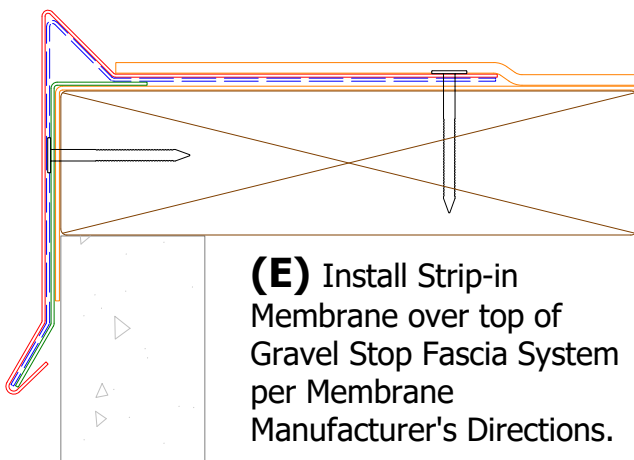
(B) Install Splice Plates with Sealant at ends of Inside/Outside Miters and at the ends of the Straight Fascia Covers.



(C) Engage Hook of Gravel Stop Fascia Cover onto the Cleat and Rotate Cover back onto Roof.



(D) Secure Gravel Stop Fascia Cover onto Substrate with 1 1/2" Ring Shank Nails.



(E) Install Strip-in Membrane over top of Gravel Stop Fascia System per Membrane Manufacturer's Directions.