



# ATAS International, Inc.

Sustainable Building Envelope Technology



ROOF & WALL PANELS

ISOLEREN<sup>®</sup>  
INSULATED METAL PANELS

# FEATURES

Isoleren® insulated metal panels (IMPs) provide superior insulating properties and can be installed quickly. Because IMPs are a single-unit comprised of insulation sandwiched between two layers of metal skin, labor and material costs are minimized. The Isoleren RL insulated metal roof panel provides the look of a standing seam metal roof with maximum thermal performance. Isoleren insulated metal wall panels are available in five unique profiles and can be installed both vertically and horizontally for a distinct architectural look. Fire-rated wall panels are available in one, two and three-hour fire ratings.

## ISOLEREN FEATURES (WALL & ROOF)

**All Isoleren panels, excluding Isoleren Fire-Rated, share the following specifications:**

### Exterior Finish:

Polyester, Siliconized Polyester, 70% PVDF, Standard Gloss (USDA White), Plastisol (Isoleren ML only), and Stainless (Isoleren ML only)

### Interior Profile:

Isoleren ML

### Interior Gauge:

26, 24, 22

### Interior Texture:

Smooth or Embossed

### Interior Finish:

Polyester, Siliconized Polyester, 70% PVDF, Standard Gloss (USDA white), Plastisol\*, Stainless\*

### Substrate:

55% Al-Zn Alloy Coated Steel with Acrylic Coating, G90 Galvanized and Stainless Steel

### Panel Coverage:

42"

### Core:

Continuously poured-in-place, polyisocyanurate, insulating foam

### R-Value:

R-8 per inch of thickness (nominal)

\* Plastisol and Stainless are not available in Isoleren IM or Isoleren WL

## PANEL INTERLOCK



All Isoleren Wall Panels (Isoleren IM, Isoleren ML, Isoleren SL, Isoleren TE, and Isoleren WL) feature the interlock shown above.

## ISOLEREN TEST DATA (WALL)

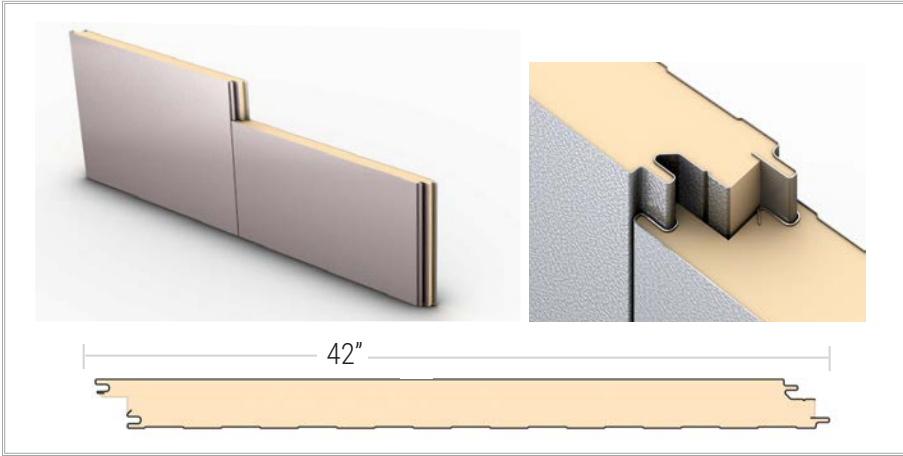
TEST PROTOCOL	DESCRIPTION
<b>ENVIRONMENTAL PERFORMANCE</b>	
ASTM C518	Steady-State Thermal Transmission Properties by Means of the Heat Flow Meter Apparatus
ASTM E283	Rate of Air Leakage Through Exterior Windows, Curtain Walls and Doors Under Specified Pressure Difference Across the Specimen
ASTM E331	Water Penetration of Exterior Windows, Skylights, Doors, and Curtain Walls by Uniform Static Air Pressure Difference
<b>FOAM CORE CHARACTERISTICS</b>	
ASTM C273	Shear Properties of Sandwich Core Metals
ASTM D1621	Compressive Properties of Rigid Cellular Plastics
ASTM D1622	Apparent Density of Rigid Cellular Plastics
ASTM D1623	Tensile and Tensile Adhesion Properties of Rigid Cellular Plastics
ASTM D6226	Open Cell Content of Rigid Cellular Plastics
<b>FIRE RESISTANCE</b>	
ASTM E84	Surface Burning Characteristics of Building Materials
NFPA 285	Standard Fire Test Method for Evaluation of Fire Propagation Characteristics of Exterior Non-Load-Bearing Wall Assemblies Containing Combustible Components
FM 4880	Factory Mutual Approval Standard for Class 1 Fire Rating of Insulated Wall or Wall and Roof/Ceiling Panels, Interior Finish Materials or Coatings and Exterior Wall Systems
<b>IMPACT RESISTANCE</b>	
FM 4881	Factory Mutual Approval Standard for Class 1 Exterior Wall Systems
<b>ENGINEERING PROPERTIES</b>	
ASTM E1592	Structural Performance of Sheet Metal Roof and Siding Systems by Uniform Static Air Pressure Difference
ASTM E72	Strength Tests of Panels for Building Construction
FM 4881	Factory Mutual Approval Standard for Class 1 Exterior Wall Systems
<b>BOND STRENGTH</b>	
Fatigue Endurance	2,000,000 Alternating Cycles of L/180 Deflection
Freeze/Heat Cycle	Twenty-One (21) Eight-hour Temperature Cycles (-20° F to 180° F)
Humidity Endurance	1,200 Hours of 93% Humidity at a Temperature of 158° F
Autoclave	Exposure to 218° F and a Pressure of 2-psig for 2½ Hours

### ON THE COVER

Nebraska Correctional Center for Women | Lincoln, NE  
Isoleren RL in Patina Green



## ISOLEREN® IM



**SKU:**

IIM

**Exterior Gauge:**

26, 24

**Thickness (A):**

2", 2½", 3", and 4"

**Exterior Texture:**

Troweled Embossed

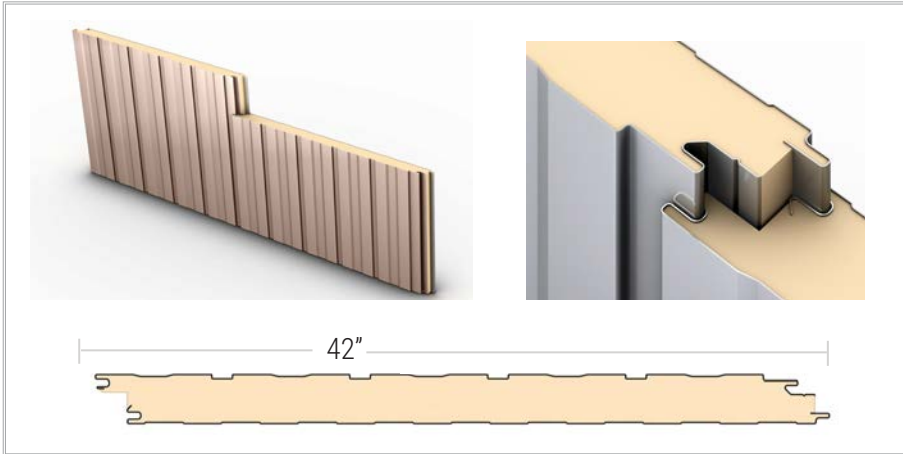
**Standard Lengths:**

8'-0" to 40'-0"



 For more information: Visit [www.atas.com/isolerenim](http://www.atas.com/isolerenim)

## ISOLEREN® SL



**SKU:**

ISL

**Exterior Gauge:**

26, 24, 22

**Thickness (A):**

2", 2½", 3", 4", 5", and 6"

**Exterior Texture:**

Smooth or Embossed

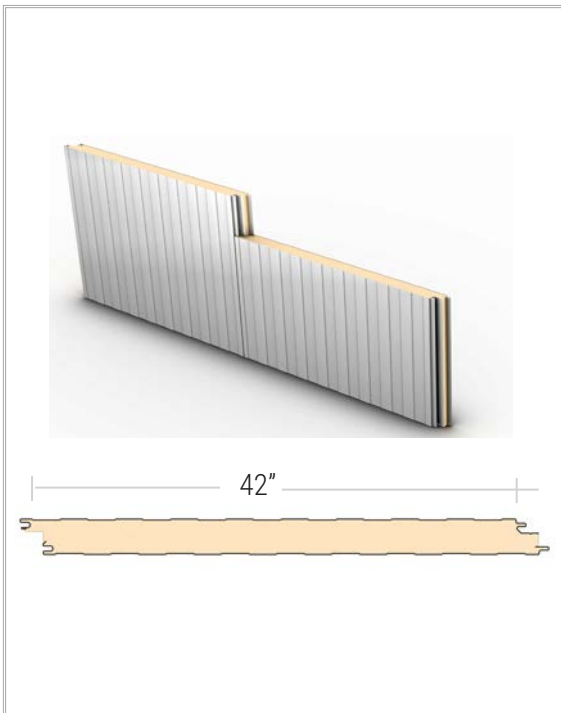
**Standard Lengths:**

8'-0" to 53'-0"

 For more information: Visit [www.atas.com/isolerenisl](http://www.atas.com/isolerenisl)

# WALL PANELS

## ISOLEREN<sup>®</sup> ML



**SKU:**

IML

**Exterior Gauge:**

26, 24, 22

**Thickness (A):**

2", 2½", 3", 4", 5", and 6"

**Exterior Texture:**

Smooth or Embossed

**Standard Lengths:**

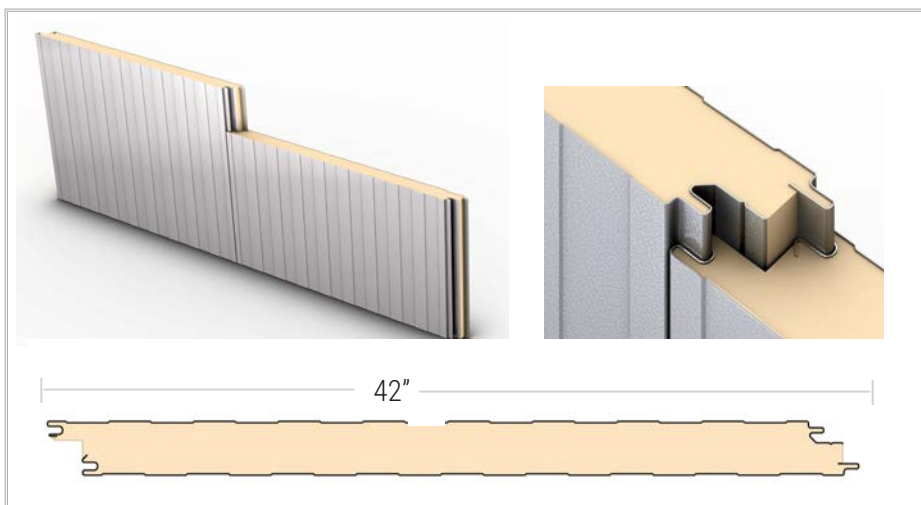
8'-0" to 53'-0"

Universal Technical Institute  
Bloomfield, NJ  
Isoleren ML in Regal White



 For more information: Visit [www.atas.com/isolerenml](http://www.atas.com/isolerenml)

## ISOLEREN<sup>®</sup> TE



**SKU:**

ITE

**Exterior Gauge:**

26, 24

**Thickness (A):**

2", 2½", 3", 4", 5", and 6"

**Exterior Texture:**

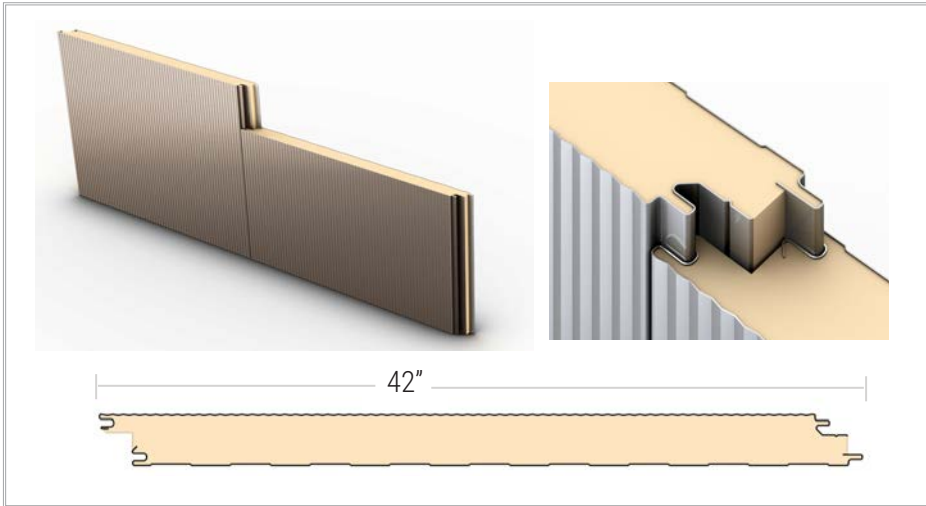
Troweled Embossed

**Standard Lengths:**

8'-0" to 53'-0"

 For more information: Visit [www.atas.com/isolarente](http://www.atas.com/isolarente)

# ISOLEREN<sup>®</sup> WL



**SKU:**

IWL

**Exterior Gauge:**

24, 22

**Thickness (A):**

2", 2½", 3", and 4"

**Exterior Texture:**

Smooth or Embossed

**Standard Lengths:**

8'-0" to 40'-0"

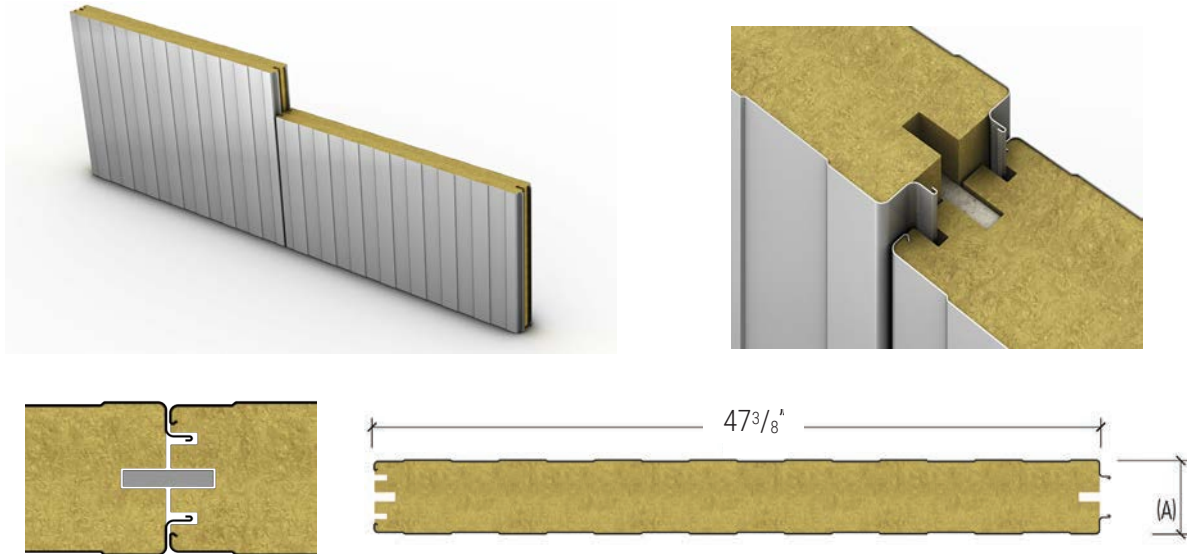
 For more information: Visit [www.atas.com/isolerenwl](http://www.atas.com/isolerenwl)



Cubesmart  
Astoria, NY  
Isoleren WL in Dove Grey &  
Custom Red

# WALL PANELS

## ISOLEREN® FIRE-RATED



**SKU:**

IMF, ISF

**Thickness (A):**

4", 5", 6", 8", 10", and 12"

**Available Lengths:**

Minimum 8'-0" to maximum 30'-0"; over 30'-0", please inquire

**Exterior Profile:**

Isoleren MF, SF

**Exterior Gauge:**

26, 24

**Exterior Finish:**

1.0 mil thick  
70% PVDF

**Exterior/Interior:**

Embossed

**Interior Profile:**

Isoleren ML

**Interior Gauge:**

26, 24

**Interior Finish:**

Siliconized Polyester (USDA white), Plastisol available

**Substrate:**

55% Al-Zn Alloy Coated Steel with Acrylic Coating, G90 Galvanized (Grade 33), and Stainless Steel (Type 304)

**Core:**

ROCKWOOL® ConRock L structural mineral wool

**K Factor:**

0.277 Btu-in/hr-ft<sup>2</sup>-F° @ 40° F mean temperature (R-3.61)

**Splines:**

Fiber-reinforced cement board (1/2" x 2 3/4" x 8' long)

### PERFORMANCE (FIRE-RATED)

Panel Thickness (in.)	Fire Rating (hr.)	Weight (psf)	Thermal U-factor	R-Factor
4	1	4.6	0.069	14.49
5	2	5.3	0.055	18.18
6	3	6.0	0.046	21.74
8	3	7.5	0.035	28.57
10	3	8.9	0.028	35.71
12	3	10.3	0.023	43.48

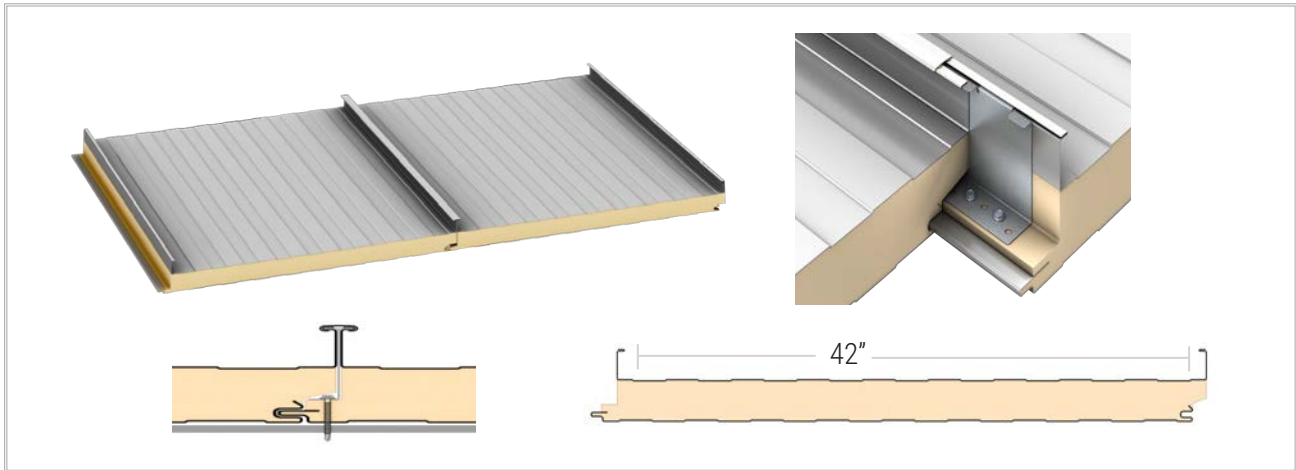
Panel Thickness (in.)	Uniform Load (psf)						
	5	10	15	20	25	30	40
4	22.2	15.7	12.8	11.1	9.9	8.2	6.2
5	24.8	17.5	14.2	12.4	10.6	9.1	6.8
6	27.3	19.3	15.7	13.6	12.1	10.1	7.6
8	31.5	22.3	18.2	15.8	14.0	11.6	8.7
10	35.2	24.9	20.3	17.6	15.6	13.0	9.8
12	38.6	27.3	22.3	19.3	17.1	14.2	10.7

For more information: Visit [www.atas.com/isolerenfirerated](http://www.atas.com/isolerenfirerated)



# ROOF PANELS

## ISOLEREN® RL



**SKU:**  
IRL

**Thickness (A):**  
2 1/2", 3", 4", 5", and 6"

**Rib Type:**  
2 3/8" tall, tee-shaped rib  
with separate batten

**Attachment:**  
Mechanically seamed rib  
with clip

**Exterior Texture:**  
Smooth

**Exterior Gauge:**  
26, 24, 22

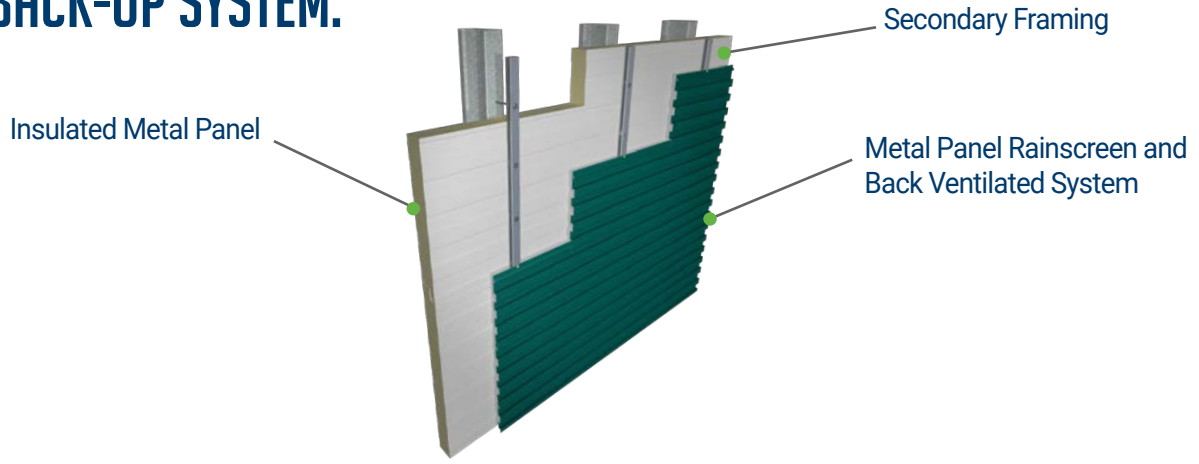
**Standard Lengths:**  
12'-0" to 53'-0"

### ISOLEREN TEST DATA (ROOF)

TYPE	TEST PROTOCOL	DESCRIPTION
ENVIRONMENTAL PERFORMANCE	ASTM C518	Steady-State Thermal Transmission Properties by Means of the Heat Flow Meter Apparatus
	ASTM E1680	Rate of Air Leakage Through Exterior Metal Roof Panel System
	ASTM E1646	Water Penetration of Exterior Metal Roof Panel Systems by Uniform Static Air Pressure Difference
FOAM CORE CHARACTERISTICS	ASTM C273	Shear Properties of Sandwich Core Metals
	ASTM D1621	Compressive Properties of Rigid Cellular Plastics
	ASTM D1622	Apparent Density of Rigid Cellular Plastics
	ASTM D1623	Tensile and Tensile Adhesion Properties of Rigid Cellular Plastics
	ASTM D6226	Open Cell Content of Rigid Cellular Plastics
FIRE RESISTANCE	ASTM E84	Surface Burning Characteristics of Building Materials
	FM 4880	Factory Mutual Approval Standard for Class 1 Fire Rating of Insulated Wall or Wall and Roof/Ceiling Panels, Interior Finish Materials or Coatings and Exterior Wall Systems
IMPACT RESISTANCE	FM 4771	Factory Mutual Approval Standard for Class 1 Panel Roofs
ENGINEERING PROPERTIES	ASTM E1592	Structural Performance of Sheet Metal Roof and Siding Systems by Uniform Static Air Pressure Difference
	ASTM E72	Strength Tests of Panels for Building Construction
	FM 4471	Factory Mutual Approval Standard for Class 1 Panel Roofs
BOND STRENGTH	Fatigue Endurance	2,000,000 Alternating Cycles of L/180 Deflection
	Freeze/Heat Cycle	Twenty-One (21) Eight-hour Temperature Cycles (-20° F to 180° F)
	Humidity Endurance	1,200 Hours of 93% Humidity at a Temperature of 158° F
	Autoclave	Exposure to 218° F and a Pressure of 2-psig for 2 1/2 hours

For more information: Visit [www.atas.com/isolerenrl](http://www.atas.com/isolerenrl)

# BARRIER BACK-UP SYSTEM:



The Isoleren Insulated Metal Panel Barrier Back Up Wall System provides an alternate all-in-one barrier wall solution vs a traditional multi-component wall system. This system incorporates a single component insulated metal wall panel that supports a secondary metal rainscreen system to meet a wide variety of architectural needs. The Insulated Metal Barrier Back Up panel is thermally efficient and provides the ideal air, vapor, and water barrier that can help reduce construction time by allowing buildings to be "dried-in" faster. To learn more about the Isoleren Insulated Metal Panel Barrier Back Up Wall System contact your local product representative.

## COLOR CHART

### Standard Siliconized Polyester Roof and Wall Colors (In-Stock, Standard Gloss)



**REGAL WHITE II**  
SR:0.61 E:0.88 SRI: 73



**LIGHT STONE**  
SR:0.50 E:0.86 SRI: 57



**GRAY STONE**  
SR:0.41 E:0.86 SRI: 45

### Standard Polyester (Interior Only)

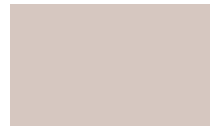


**REGAL WHITE I**

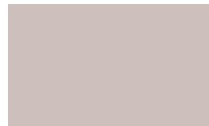
### Standard 70% PVDF Roof and Wall Colors (In-stock, Standard Gloss for Roof Applications, Low Gloss for Wall Applications)



**REGAL WHITE III**  
Low gloss: SR:0.66 E:0.87 SRI: 80  
Std gloss: SR:0.68 E:0.86 SRI: 82



**ALMOND**  
Low gloss: SR:0.62 E:0.87 SRI: 74  
Std gloss: SR:0.60 E:0.84 SRI: 70



**SANDSTONE**  
Low gloss: SR:0.59 E:0.87 SRI: 70  
Std gloss: SR:0.54 E:0.86 SRI: 63



**ASH GRAY**  
Low gloss: SR:0.48 E:0.87 SRI: 55  
Std gloss: SR:0.39 E:0.84 SRI: 41



**PATINA GREEN**  
Low gloss: SR:0.38 E:0.87 SRI: 41  
Std gloss: SR:0.46 E:0.85 SRI: 51

### Standard 70% PVDF Wall Colors (In-stock, Low Gloss)



**SURREY BEIGE**  
SR:0.48 E:0.87 SRI: 55



**ROMAN BLUE**  
SR:0.26 E:0.87 SRI: 25

### Premium Metallics (Special Colors, Not In-Stock, Additional Costs Will Apply)



**TEXAS SILVER**  
SR:0.58 E:0.78 SRI: 66



**LEADCOAT**  
SR:0.37 E:0.82 SRI: 38



**WEATHERED GALVALUME**  
SR:0.30 E:0.79 SRI: 27



**CHAMPAGNE**  
SR:0.38 E:0.80 SRI: 38



**COPPER PENNY**  
SR:0.49 E:0.85 SRI: 55

www.atas.com  
800.468.1441

ATAS International, Inc.  
Allentown, PA | Mesa, AZ



Isoleren® is a registered trademark of ATAS International, Inc. ATAS' professional staff is able to assist in the design or provide shop drawings for your project. Final choice of materials and installation is the responsibility of the owner, architect and/or the owner's agent. ATAS International, Inc. cannot be held responsible for the ultimate selection or the installation of those materials. Due to slight stress in metal materials and substrates to which metal panels are applied, installed panels may exhibit a perceived waviness in the flat areas of the panel. Commonly the period and amplitude of the waviness is dependent upon the continuous flat width of the panel. This condition is beyond the control of ATAS and consequently this perceived waviness or "oil canning" of the product is not a valid reason for rejection of materials. (Refer to ASTM E 1514, ASTM E 1637 and Metal Construction Association Technical Bulletin 1060 for further clarification). ATAS reserves the right to modify, eliminate and/or change its products without prior notification. ATAS cannot be held responsible for errors in line drawings and typesetting. Inquire for availability. Colors are as close to the actual colors as modern printing allows. Exact color chips on request; this is a requirement for all premium colors. If you have requirements or preference for colors or finishes other than shown, contact ATAS. Color availability varies by material, gauge and profile. ATAS is not responsible for colors selected from this chart. Contact ATAS for more information.