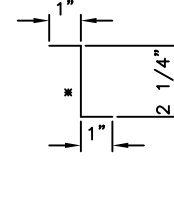


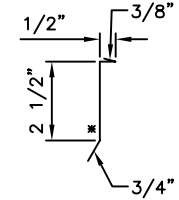
PCA910 - "Z" CLOSURE



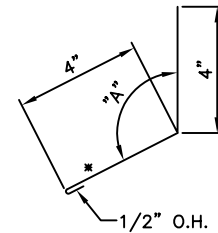
PCA912 - "Z" CLOSURE

NEOPRENE CLOSURES

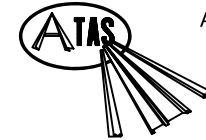
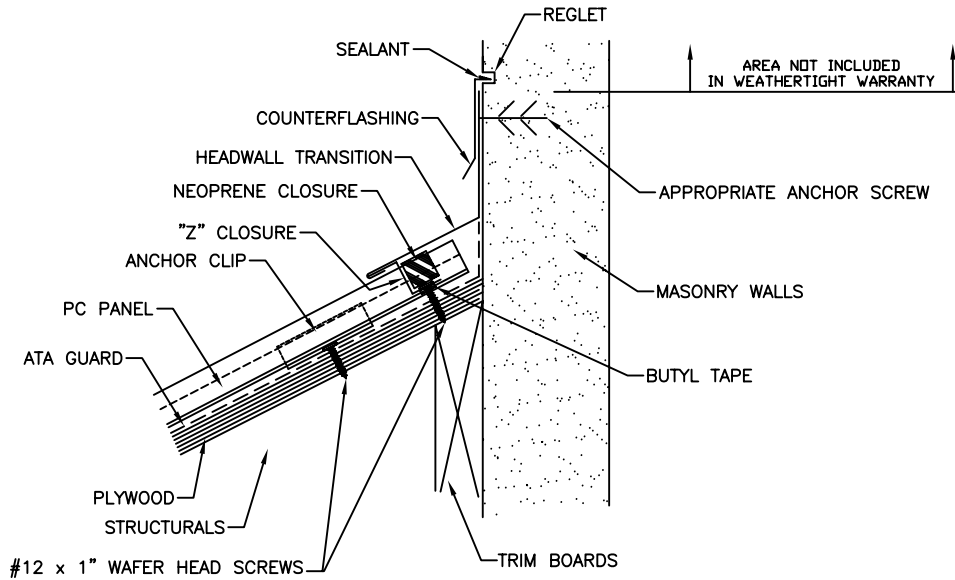
For PC???? panels w/ PCS114 seams or PCB001 battens - RSD060 (1-3/8" high)
 For PC???? panels w/ PCB002 battens - RSD061 (2-1/4" high)



PCA980 - COUNTERFLASHING



PCA500 - HEADWALL TRANSITION
 Angle "A" = furnished by customer
 Note: or customer may furnish slope involved.
 PCA501 - Matching internal splices.



ATAS INTERNATIONAL, INC.
 Allentown PA
 610-395-8445
 Mesa AZ
 480-558-7210

TITLE		PC Panel Headwall - ply					
DWG NO. / FILE NO.		PC Panel Headwall - ply			SCALE	3"=1'-0"	
DRAWN BY	DAS	DATE	3-6-06	APPR. BY	JEB	DATE	6-2-06
REVISION NO.	XXXX	REVISION DATE	MM/DD/YY	APPR. BY	XXXX	APPR. DATE	MM/DD/YY

Rev. No.	Revision Date	Drawn By	Description of Revision
0	6-2-06	DAS	PC Panel Headwall - ply