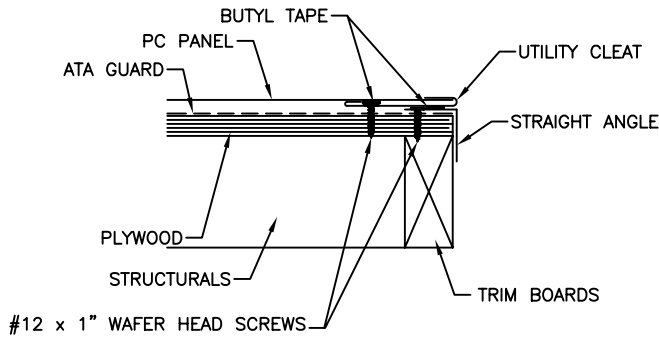
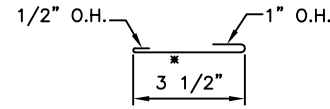


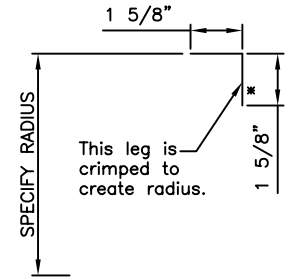
Convex Curved Gable



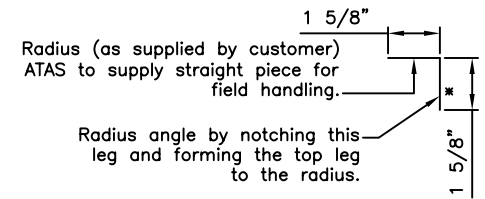
Concave Curved Gable



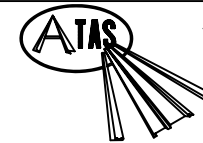
Utility Cleat - PCA962
The utility cleat - Part 11 - is bent in the field to suit the radii involved.



Arc Angle - PCA963



Angle - PCA964
Shipped in straight 12 foot lengths for field notching and forming to desired radius.



ATAS INTERNATIONAL, INC.
Allentown PA
610-395-8445
Mesa AZ
480-558-7210

TITLE		PC Panel Curved Gable - ply					
DWG NO. / FILE NO.		PC Panel Curved Gable - ply				SCALE	3"=1'-0"
DRAWN BY	DAS	DATE	3-6-06	APPR. BY	JEB	DATE	6-2-06
REVISION NO.	XXXX	REVISION DATE	MM/DD/YY	APPR. BY	XXXX	APPR. DATE	MM/DD/YY

Rev. No.	Revision Date	Drawn By	Description of Revision
0	6-2-06	DAS	PC Panel Curved Gable - ply