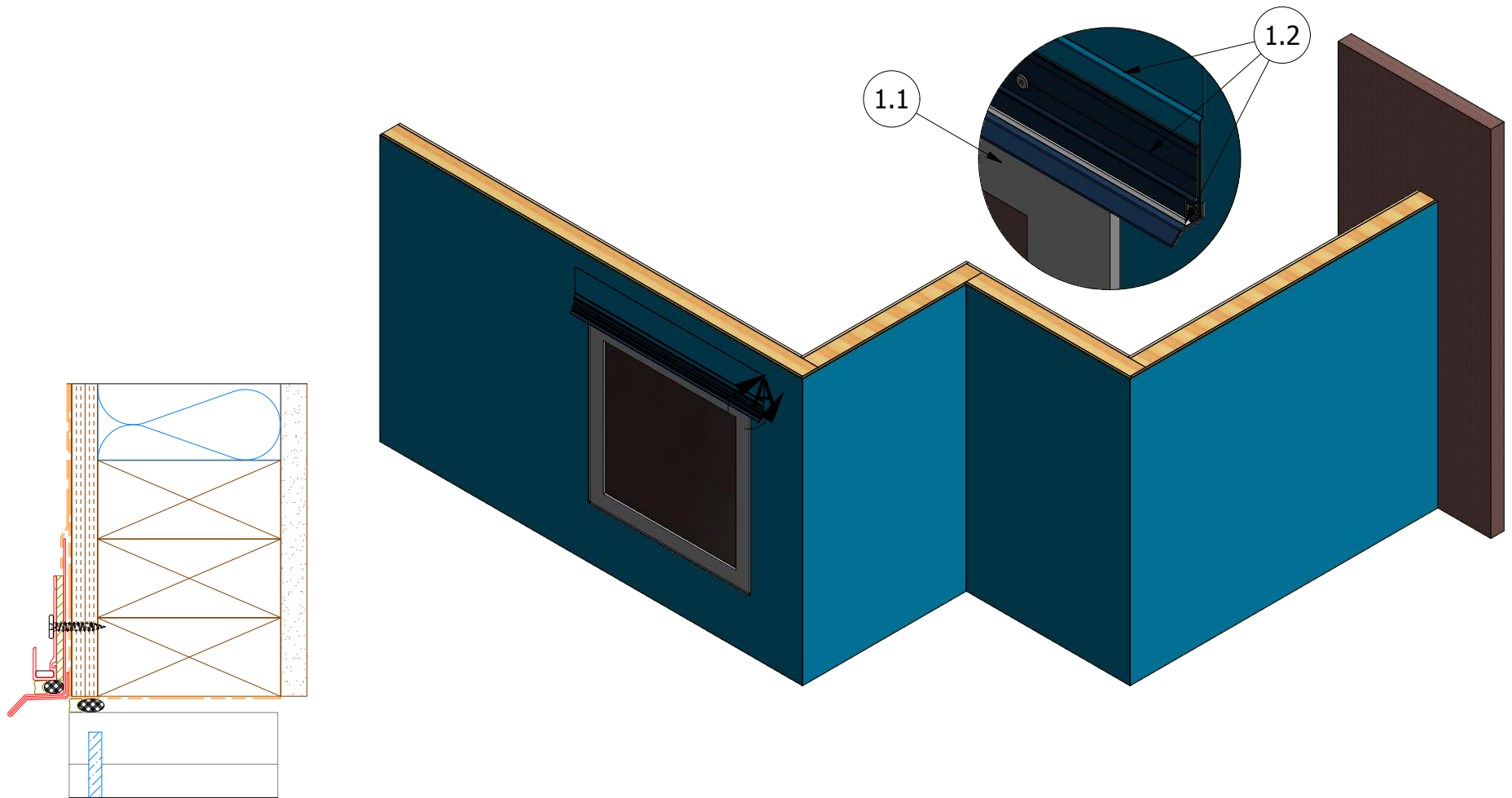


Step 1.1 Install Base Trim Above Window.

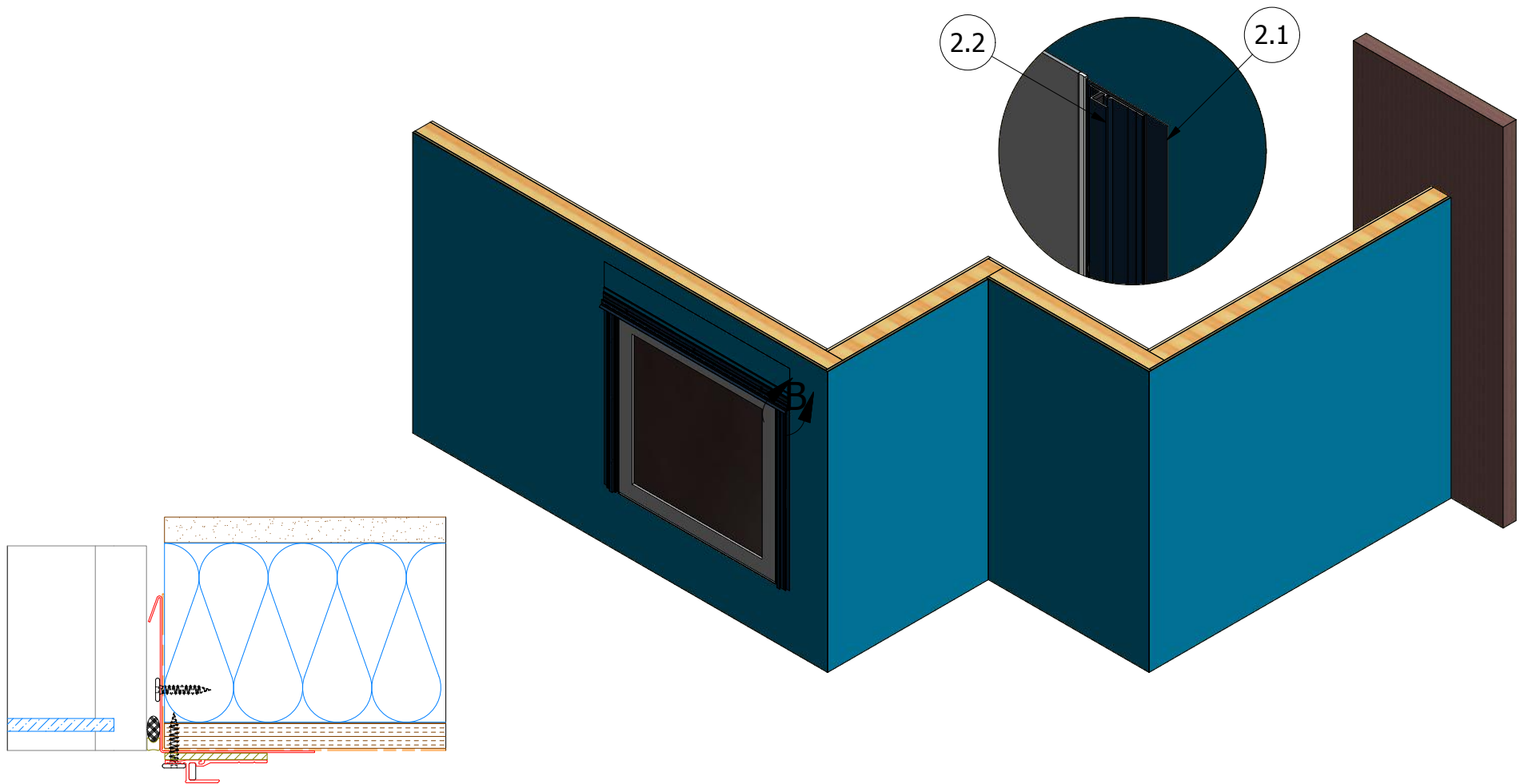
Step 1.2 Install Backer Rod and Sealant, J Molding Extrusion with Sealant, and Underlayment.



Head Extrusion

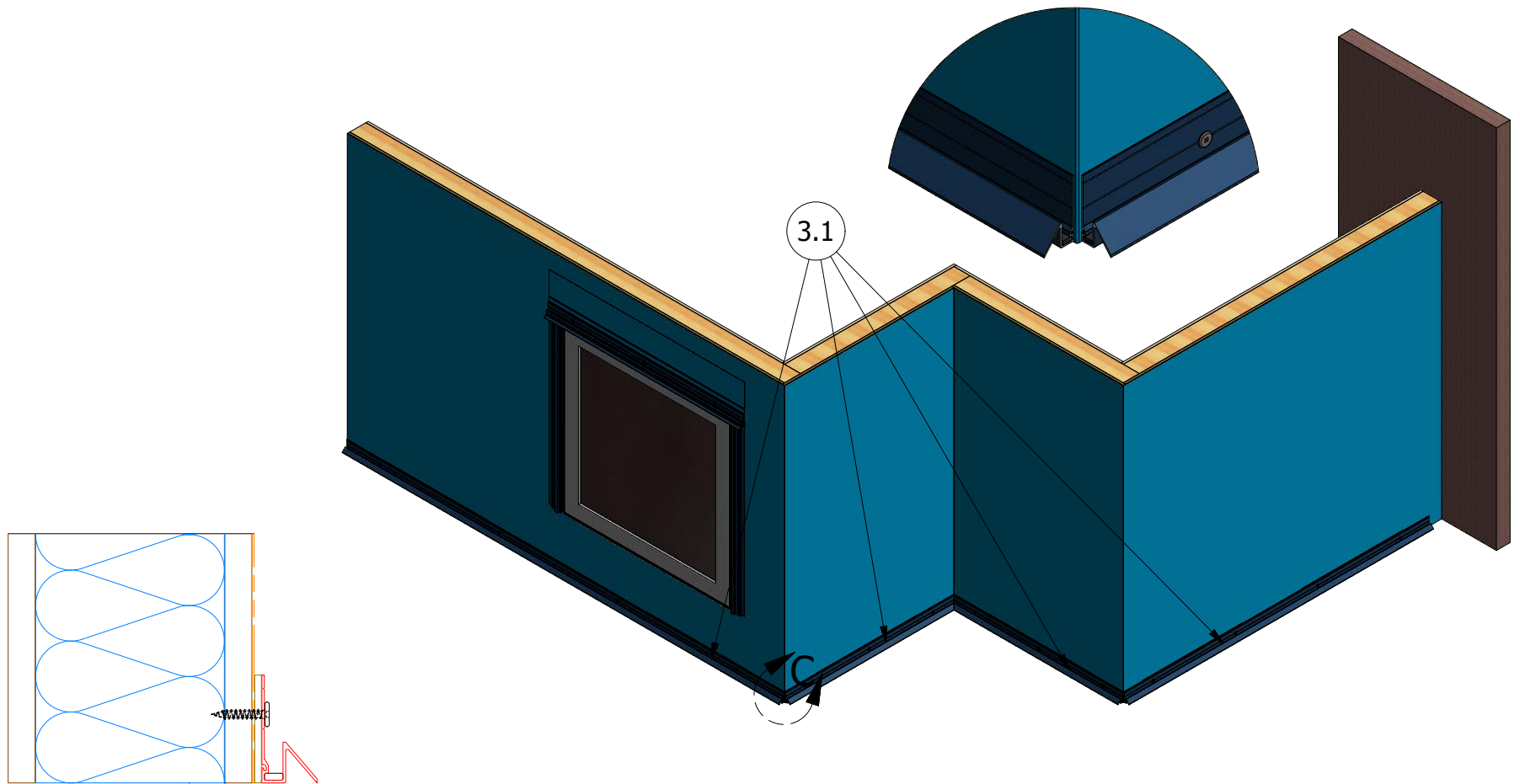
Step 2.1 Lay In Angle Trim w/ Return with Backer Rod and Sealant on Both Sides of the Window.

Step 2.2 Fasten Terminal J Molding Extrusion with Sealant Over Angle Trim w/ Return.



Jamb Extrusion

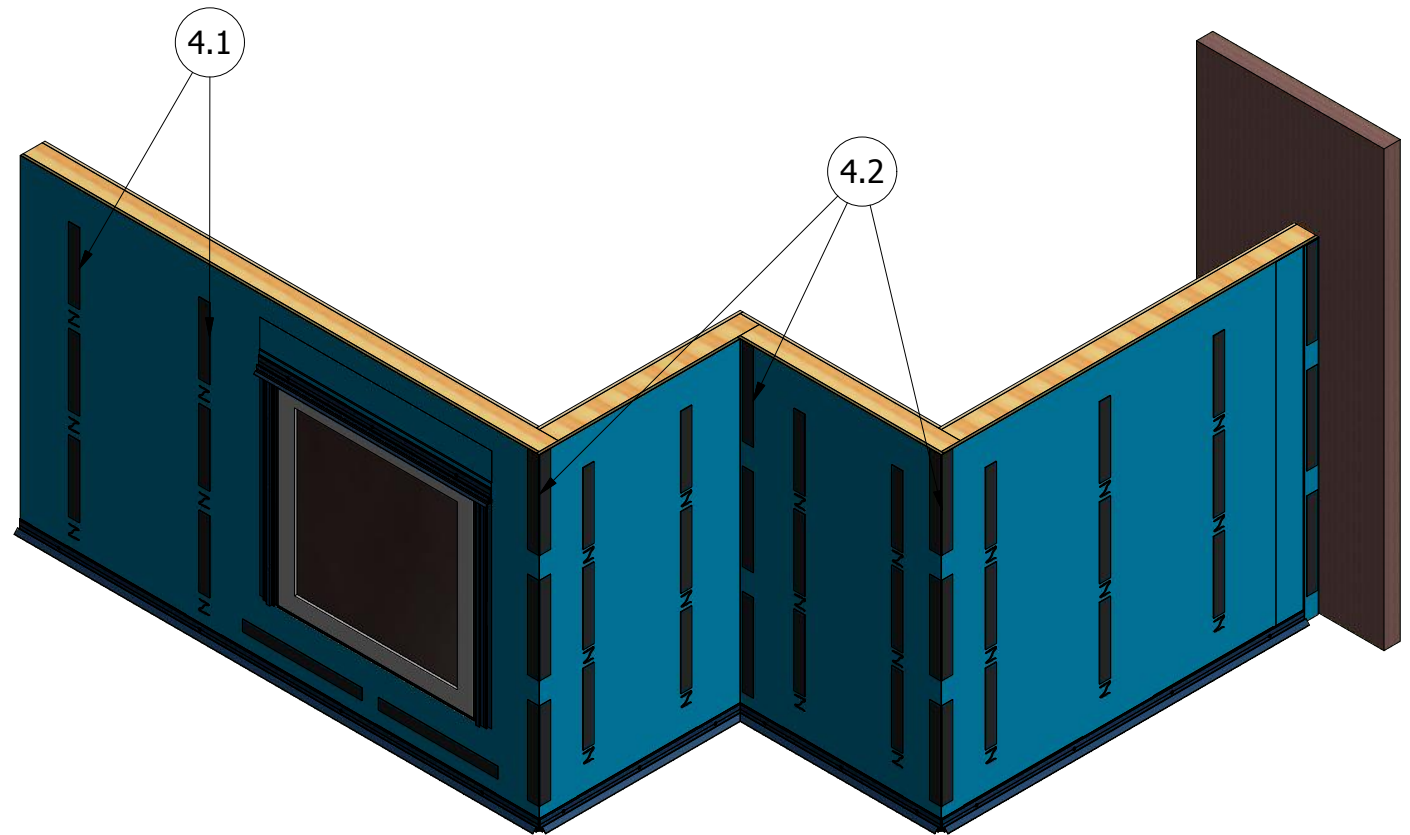
Step 3.1 Fasten Base Extrusion with Sealant.



Drip Edge Extrusion

Step 4.1 Layout Foam Tape and Appropriate Sealant Throughout the Walls.

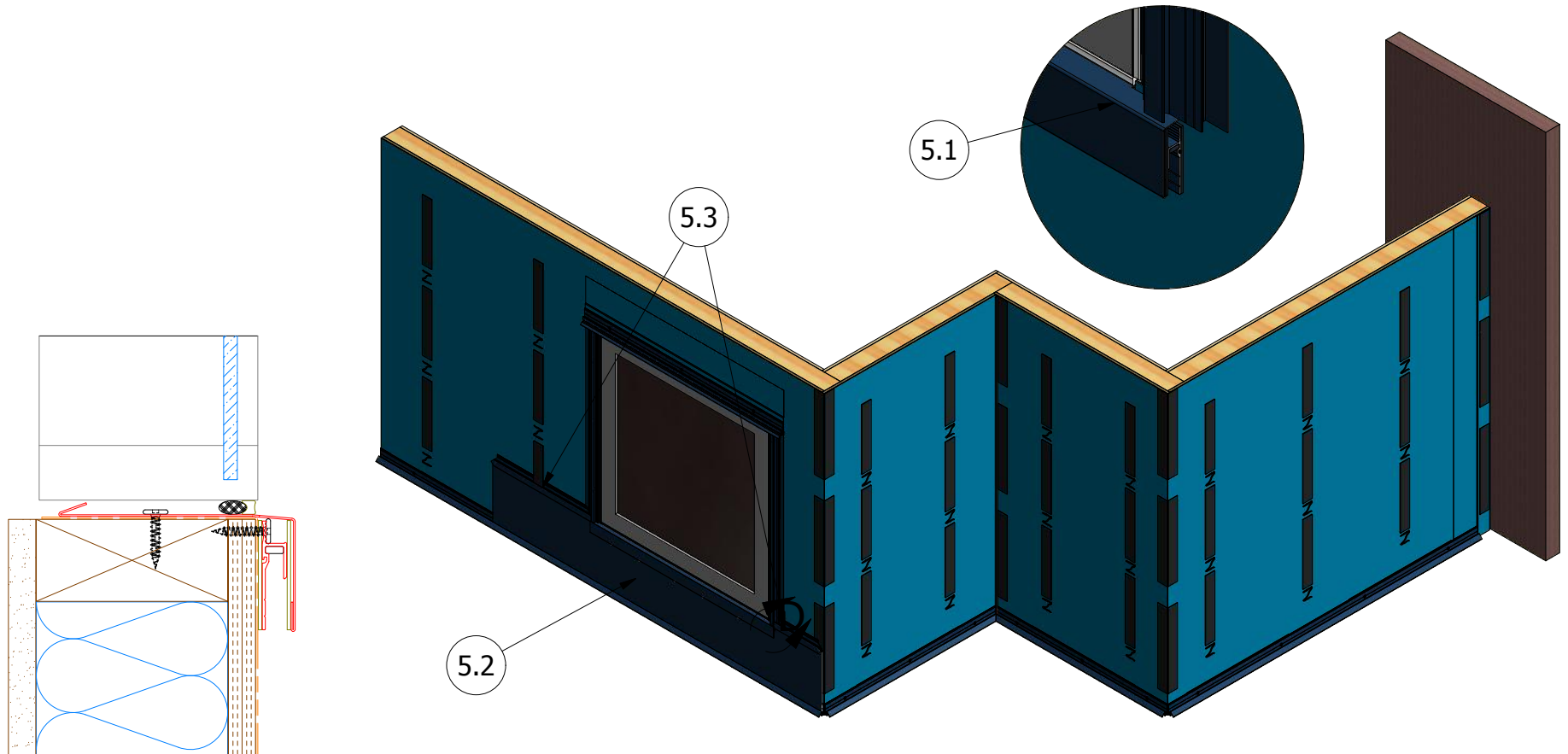
Step 4.2 Layout Foam Tape for Corner Trims.



Step 5.1 Install Window Sill Trim, J Molding Extrusion w/ Sealant, and Backer Rod and Sealant.

Step 5.2 Slide In Sterracore Panel.

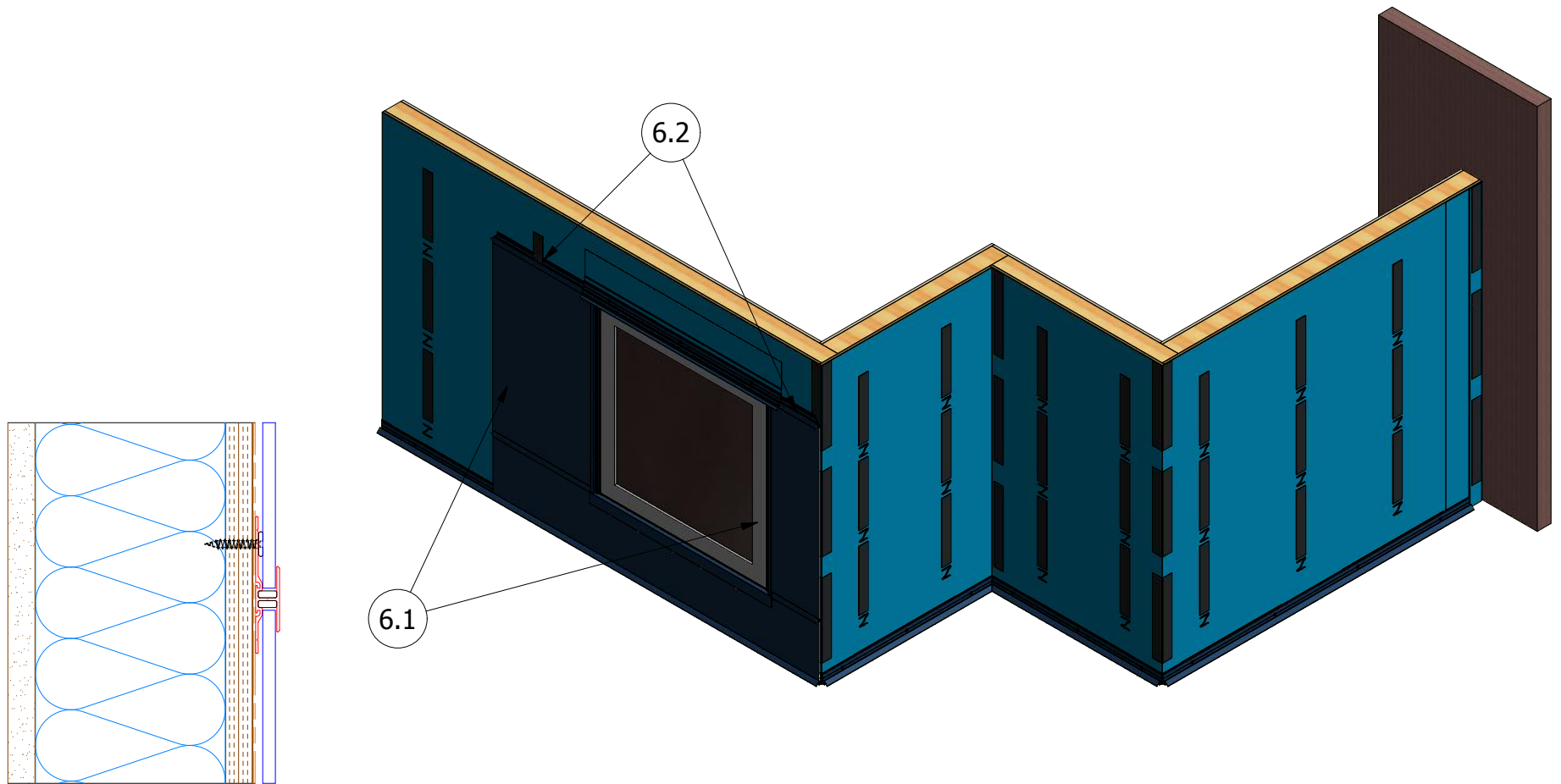
Step 5.3 Install Transition Extrusion Trims Over Top of Sterracore Panel.



Window Sill Extrusion

Step 6.1 Slide in Sterracore Panels into Transition Trim.

Step 6.2 Install Transition Trim Over Sterracore Panels.

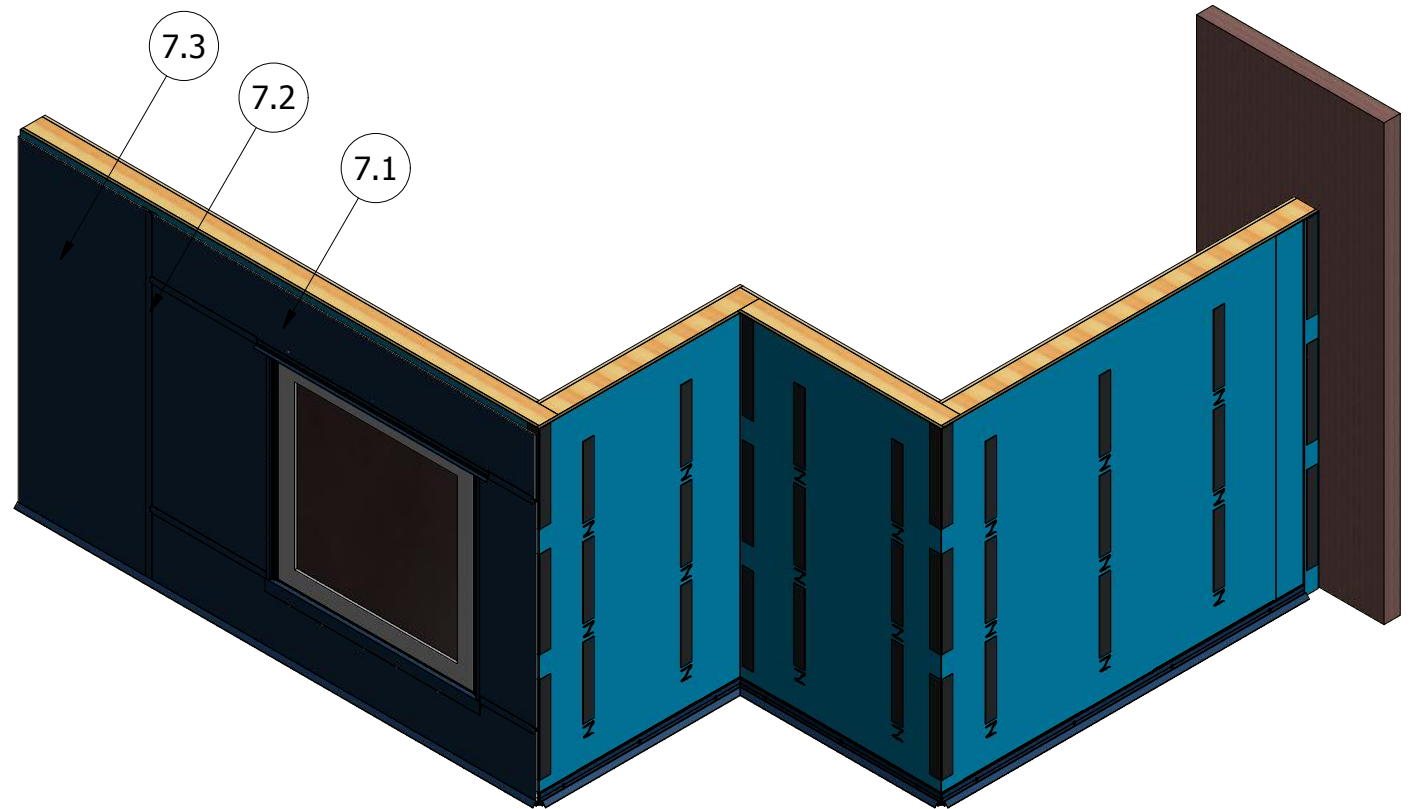


Transition H Extrusion

Step 7.1 Slide Top Panel into Transition Trim.

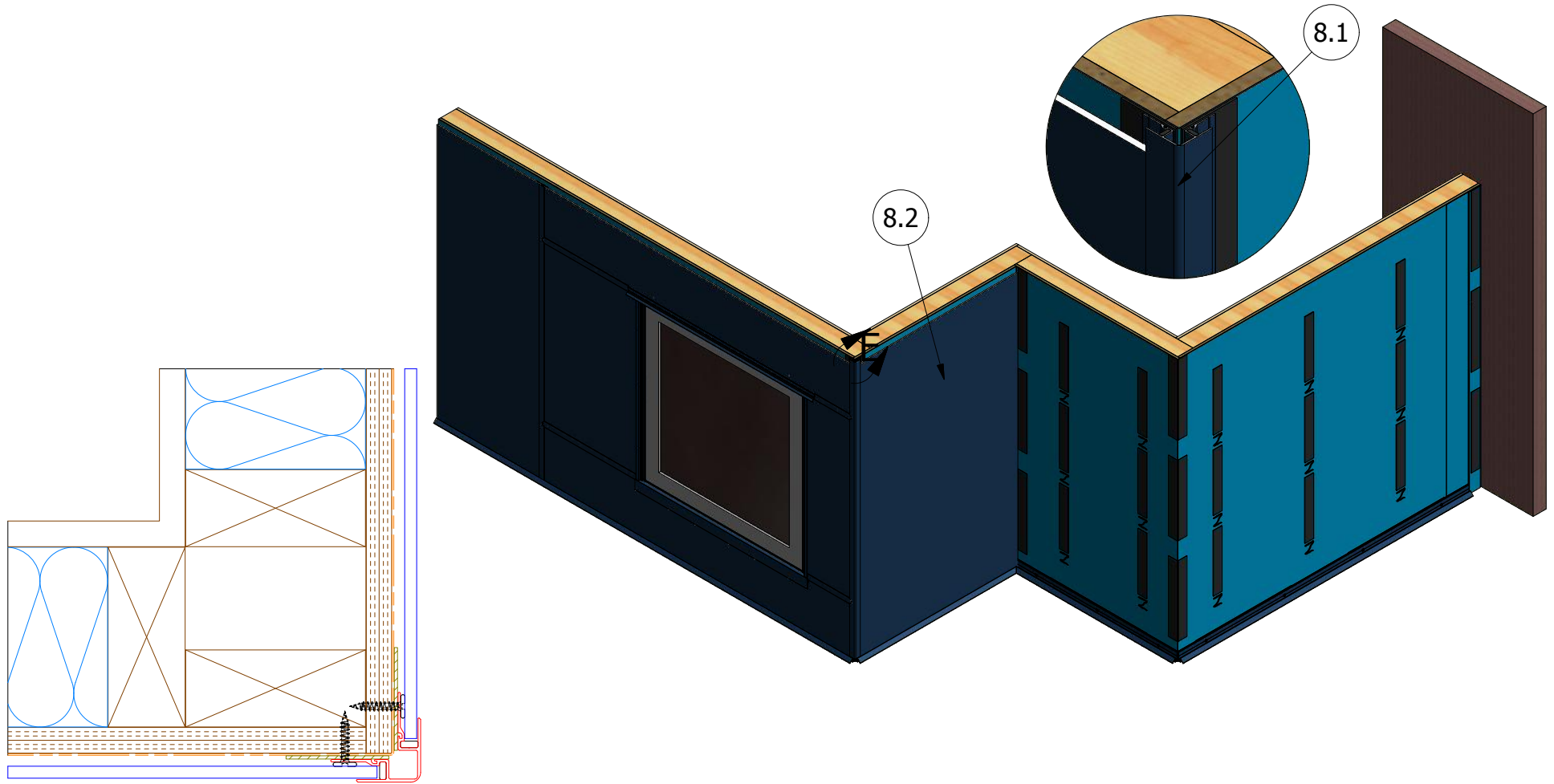
Step 7.2 Install Transition Trim on the Side of the Sterracore Panels.

Step 7.3 Slide in Sterracore Panel into Previously Installed Transition Trim.



Step 8.1 Install 1st Outside Corner.

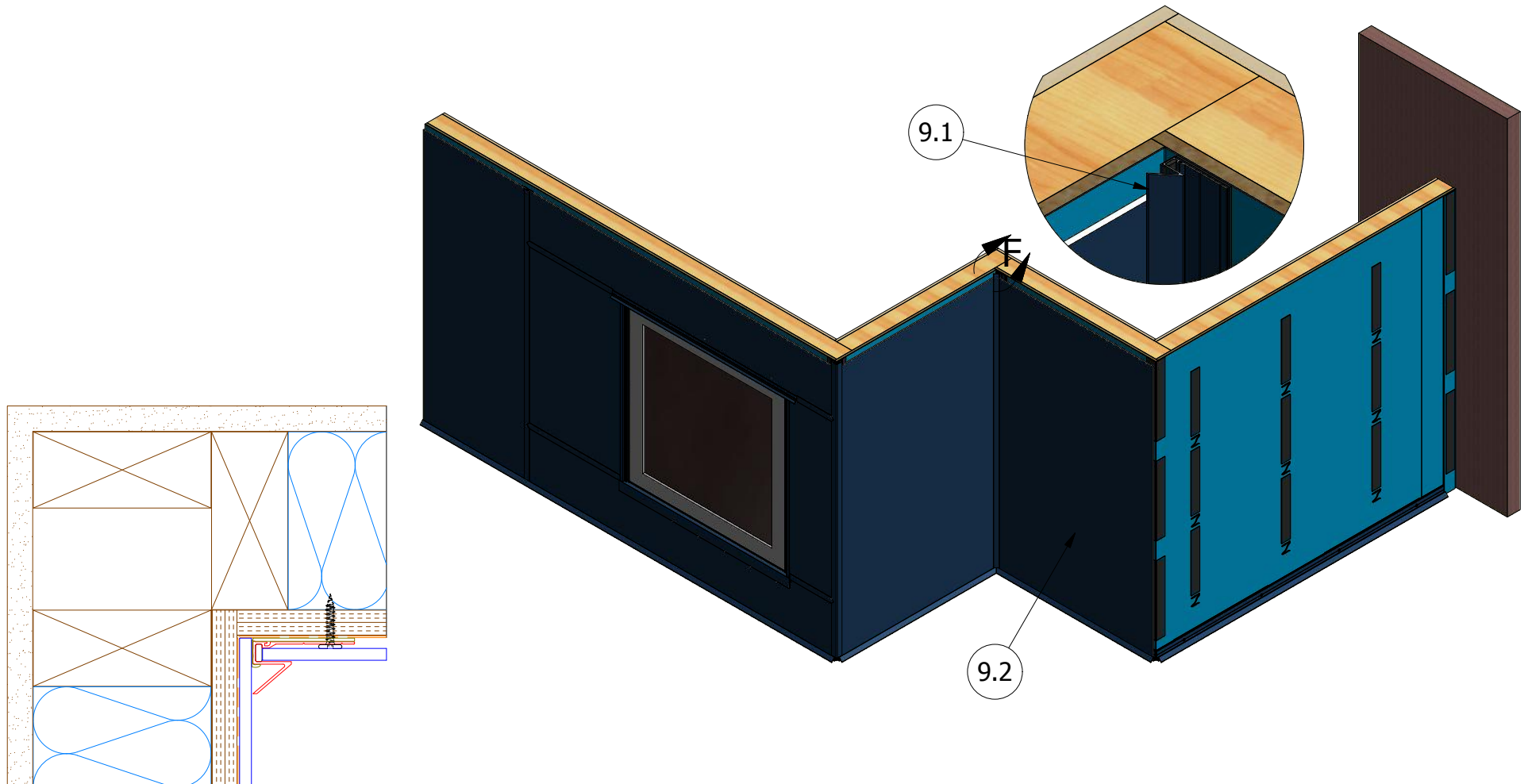
Step 8.2 Slide in Sterracore Panel.



Outside Corner Extrusion

Step 9.1 Fasten Inside Corner Extrusion.

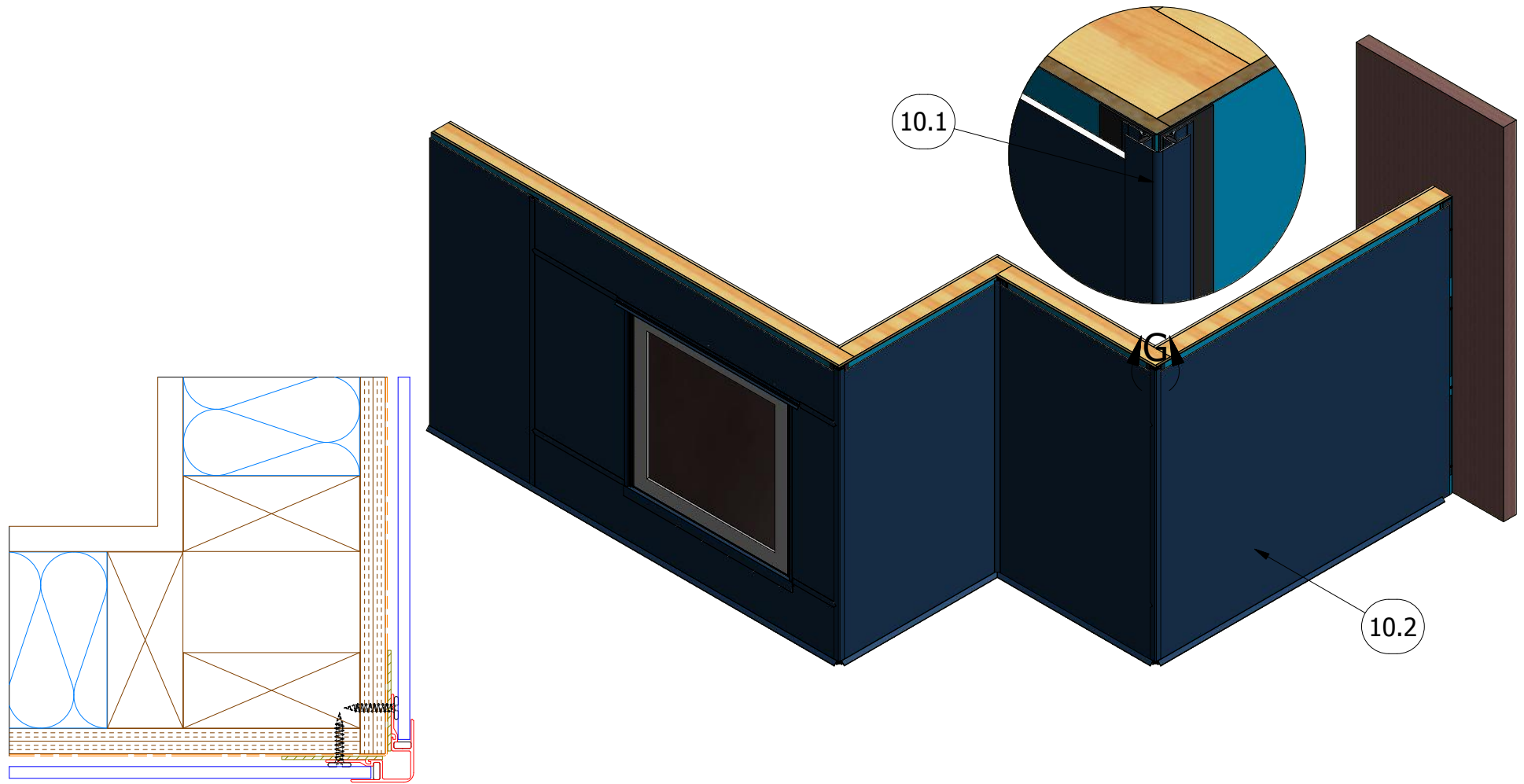
Step 9.2 Slide SterraCore Panel into Inside Corner Extrusion.



Inside Corner Extrusion

Step 10.1 Fasten 2nd Outside Corner Extrusion.

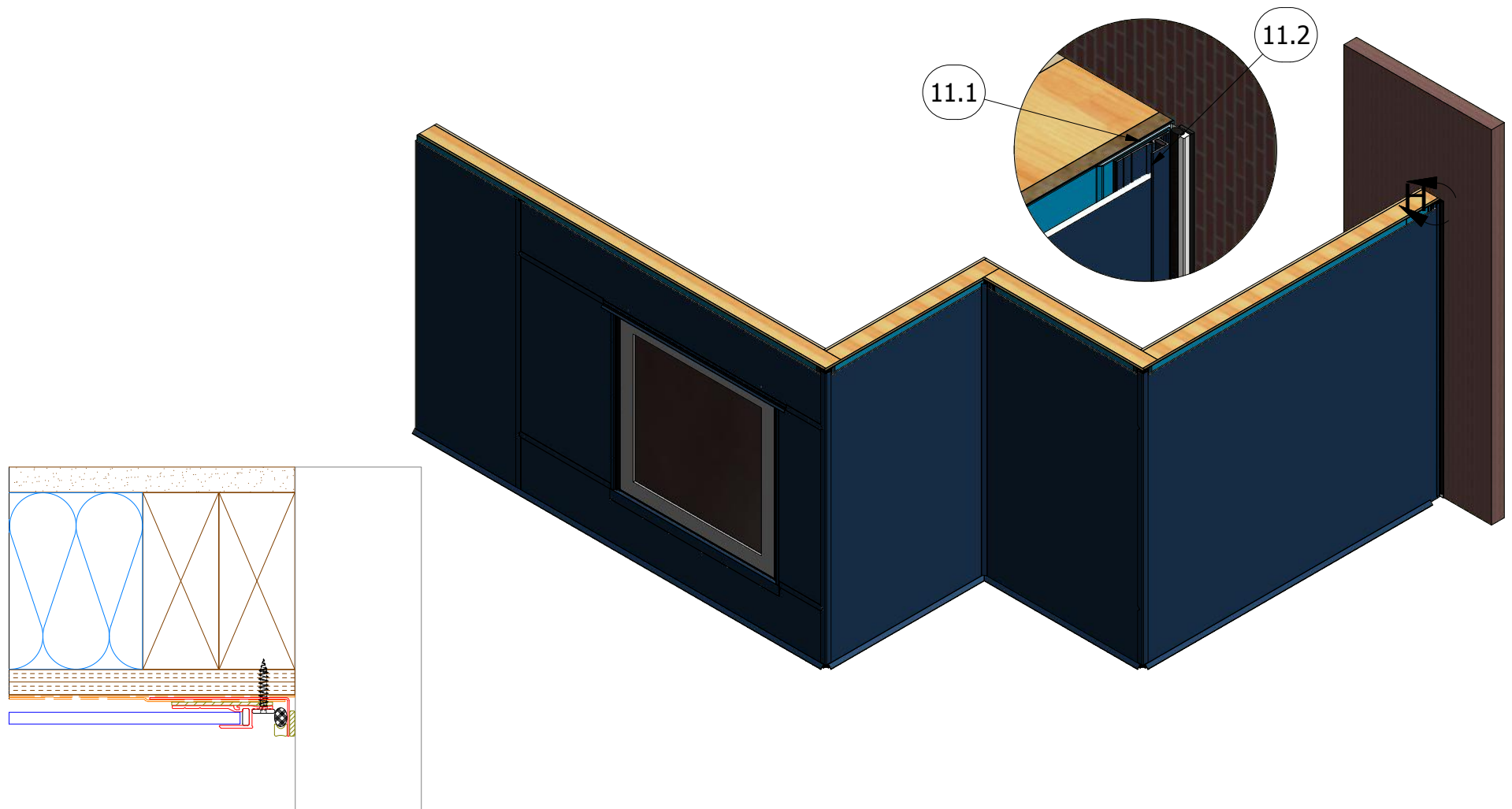
Step 10.2 Slide SterraCore Panel into Outside Corner Extrusion.



Outside Corner Extrusion

Step 11.1 Fasten Angle Trim with Backer Rod and Sealant.

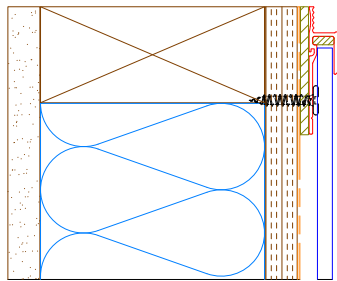
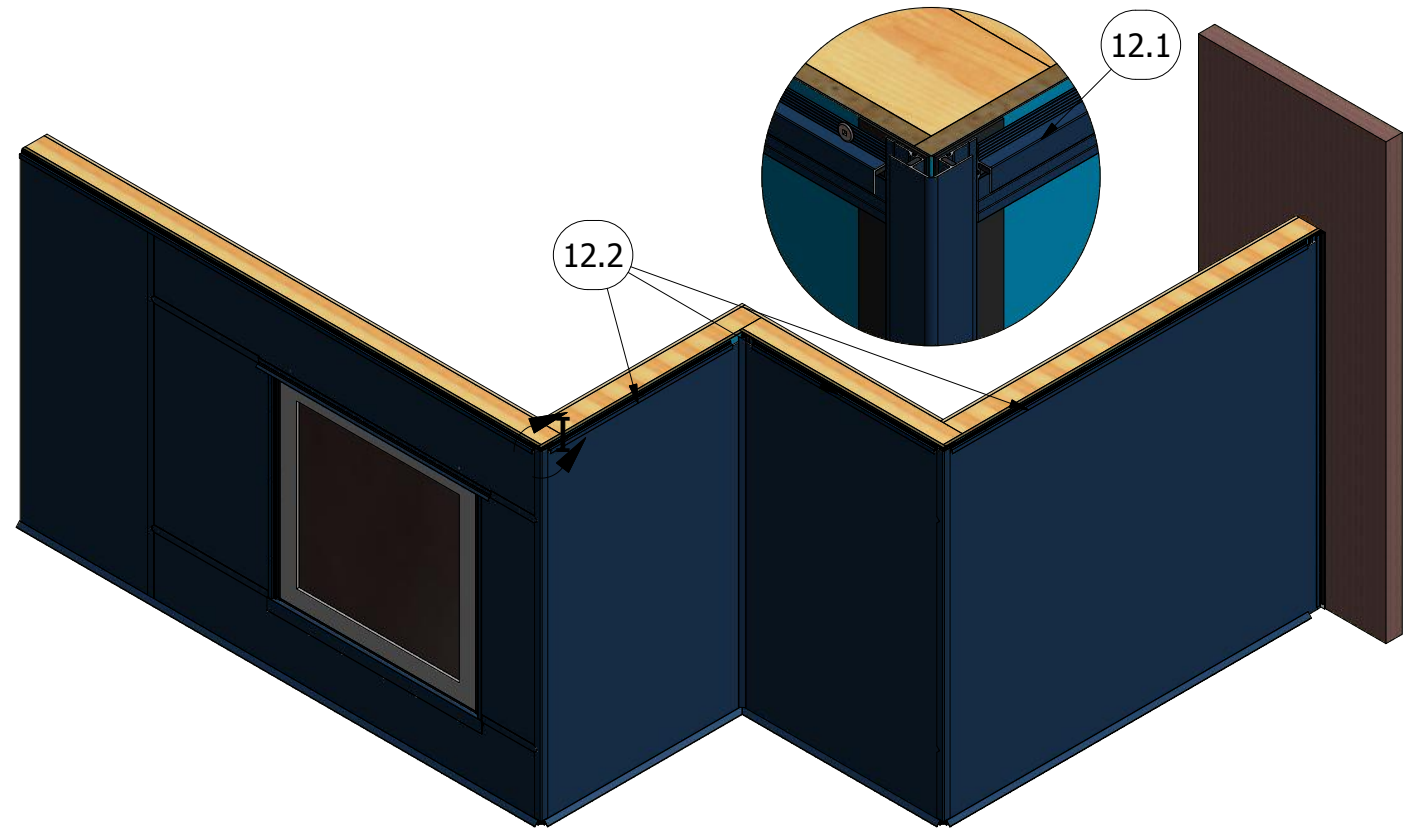
Step 11.2 Install Terminal J Molding Extrusion with Sealant Over Angle Trim.



Endwall Extrusion

Step 12.1 Fasten Terminal J Molding Extrusion with Sealant.

Step 12.2 Install Terminal J Molding Extrusions Along Top of Wall.



Top of Wall Extrusion

Step 13.1 Install Top Coping System.
(Refer to Other Details for Coping System Installation.)

