



Date: March 14, 2017

Door Sizing and Installation Guide

1. Verify thickness of wall system
ThermalStar One sheathing + stud width + interior cladding = wall thickness (see figures 1-4).
2. Wall thickness will be used to determine correct width of door frame & threshold required.
3. Door manufacturers typically only make the door slabs and local distributors build and hang the door slabs in the frames.
4. Door frames are available in a variety of materials and sizes.
5. Door frames typical range in size from 3"-12" in 1/16" increments (see figure 1-3).
6. Door thresholds are available in a variety of materials and sizes.
7. Door thresholds typically range in size from 3"- 5-3/4" (see figure 6); with extension options ranging from 3/4"-3" (see figure 7).
8. Provide additional support under threshold as required depending on ThermalStar One product selected (see figure 5).
9. Door dealers are accustomed to ordering doors with a variety of jamb widths, due to the many options when walls are constructed.
10. The cost of door in the door frame may vary depending on the width and the type of materials selected.
11. It is important to verify the correct wall thickness when ordering doors.
12. If you are running into issues determining wall thickness, your local distributor can provide assistance.

Figure 1:

Standard Wall

1/2" Drywall	1/2"
2x4 Stud	3-1/2"
7/16" Sheeting	7/16"
Wall Thickness	4-7/16"

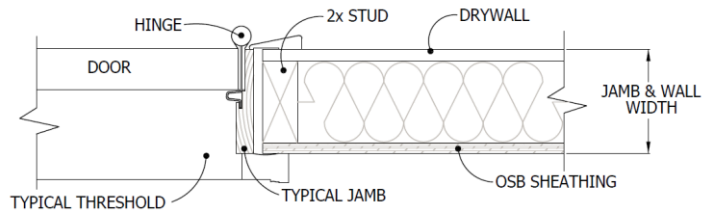
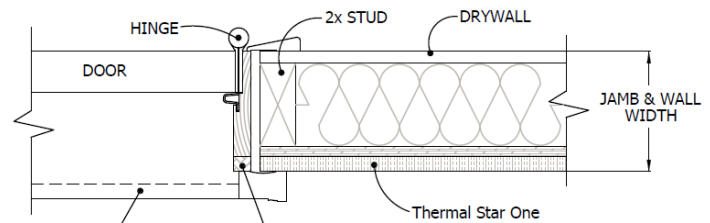


Figure 2:

ThermalStar One R3 Wall

1/2" Drywall	1/2"
2x4 Stud	3-1/2"
ThermalStar One R3	1-1/8"
Wall Thickness	5-1/8"



THRESHOLD EXTENSION OR LONGER ONE PIECE THRESHOLD REQUIRED DEPENDING ON THE Thermal Star One PRODUCT SELECTED
 JAMB EXTENSION OR LONGER ONE PIECE JAMB REQUIRED DEPENDING ON THE Thermal Star One PRODUCT SELECTED

Figure 3:

ThermalStar One R5 Wall

1/2" Drywall	1/2"
2x4 Stud	3-1/2"
ThermalStar One R5	1-1/2"
Wall Thickness	5-1/2"

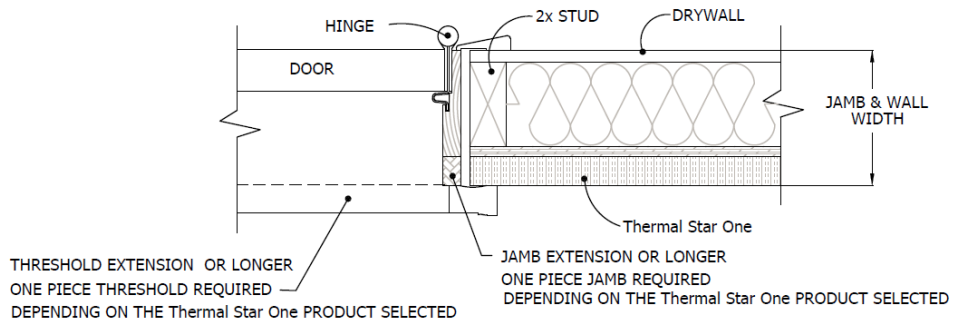


Figure 4:

ThermalStar One R7.5 Wall

1/2" Drywall	1/2"
2x4 Stud	3-1/2"
ThermalStar One R7.5	2"
Wall Thickness	6"

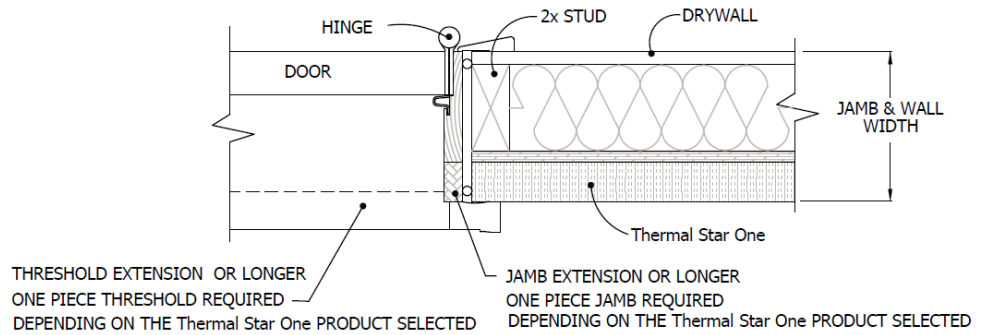


Figure 5:

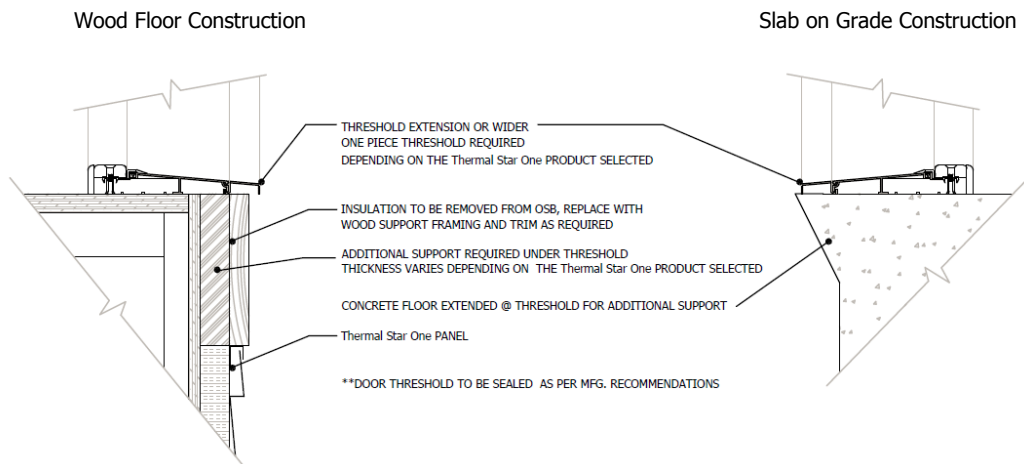
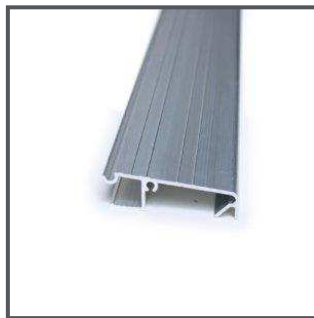


Figure 6:



Figure 7:



This bulletin is current as of the date above. Please visit our website at **AtlasEPS.com** for the most recent technical information.