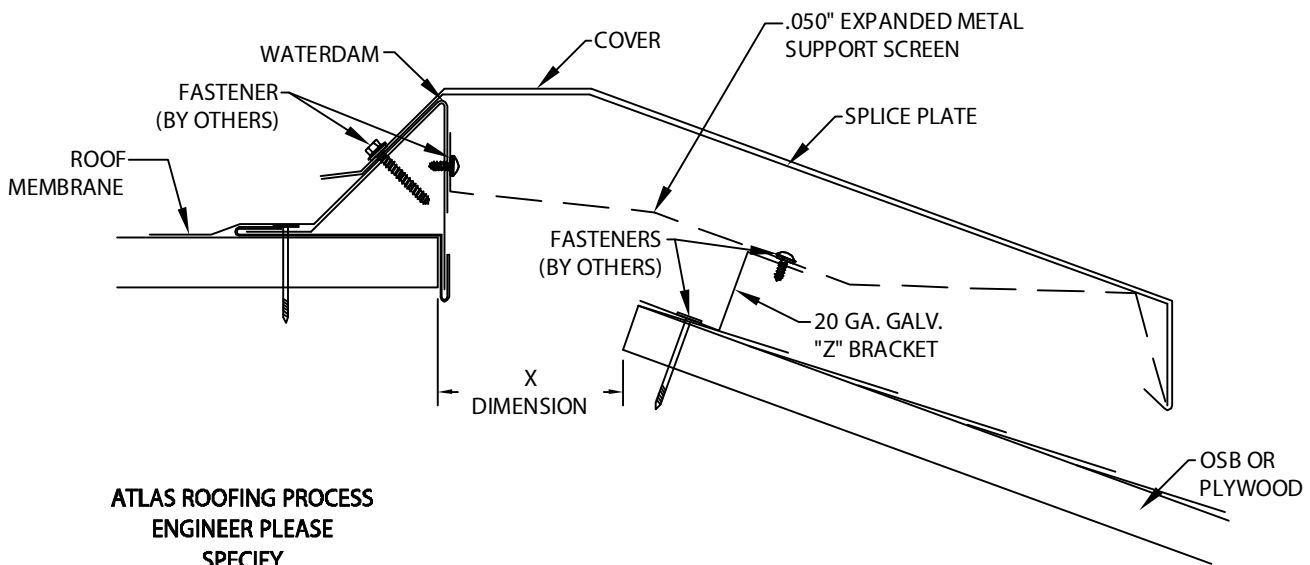


TECHNI-FLO RV

SLOPED ROOF MEETS FLAT ROOF

INSTALLATION INSTRUCTIONS

DETAIL A



ATLAS ROOFING PROCESS
ENGINEER PLEASE
SPECIFY



X DIMENSION

CAUTION! INSTALLERS SHALL WEAR PROTECTIVE EYE WEAR TO PREVENT INJURY. DO NOT OVERDRIVE FASTENERS, AS STRIPPING CAN OCCUR AT HIGH DRIVER TORQUE. RECOMMENDED DRIVING TOOL: 600 - 800 rpm ELECTRIC DRILL EQUIPPED WITH DEPTH-SENSING NOSE-PIECE TO PREVENT DRIVING AND STRIPOUT. DO NOT USE IMPACT TYPE TOOL.

IMPORTANT! BE SURE TO REMOVE PROTECTIVE PLASTIC FILM PRIOR TO INSTALLING EACH COVER SECTION.

NOTE: ALL FASTENERS MUST MEET MINIMUM 240 LB. PULL-OUT FOR SUBSTRATE.



Phone: 855-542-0918
Fax: 800-770-3934
roof.atlasroofing.com

DATE: 3/10/11

SHT.# 1 OF 4

DRN BY: MRK

CKD BY: SAK

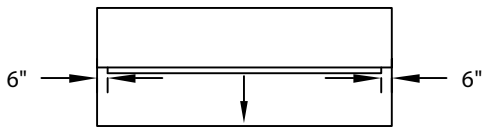
DWG# 38124-10924

B

TECHNI-FLO RV

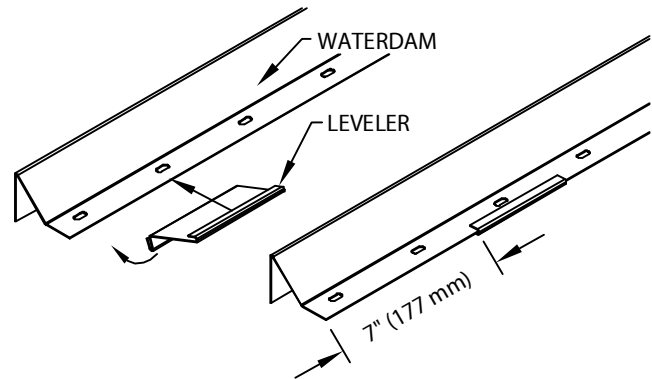
SLOPED ROOF MEETS FLAT ROOF

INSTALLATION INSTRUCTIONS



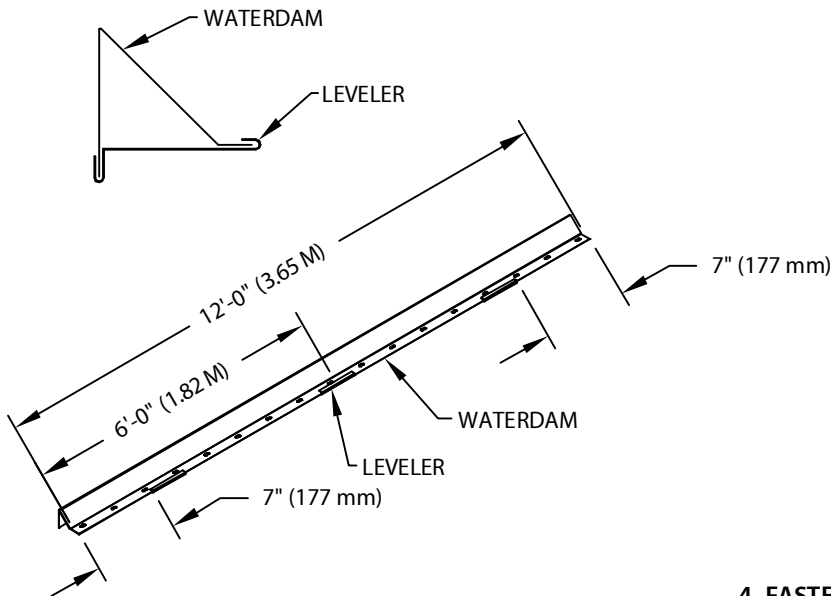
1. PREPARE RIDGE

CUT OPENING AT RIDGE "X" DIMENSION. (SEE DETAIL "A".)



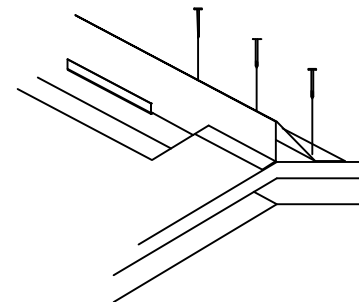
2. MOUNTING LEVELERS

CLIP THREE LEVELERS ON TO WATERDAM.



3. WATER DAM

SLIDE LEVELERS INTO POSITION: ONE 7" (170 mm) FROM EACH END AND ONE IN THE CENTER. (SEE DIAGRAM)



4. FASTEN

MAKE A $\frac{5}{8}$ " SLIT IN WATERDAM 6" FROM END (ONLY ON THE TWO END WATERDAMS). BEND TO FIT OVER THE OSB ON END 6" OF RIDGE. FASTEN WATER DAM AND LEVELERS AT ROOF AT 6" (152 mm) O.C. WITH APPROPRIATE FASTENERS USING PRE-PUNCHED SLOTTED HOLES.



Phone: 855-542-0918
 Fax: 800-770-3934
 roof.atlasroofing.com

DATE: 3/10/11

DRN BY: MRK

CKD BY: SAK

SHT.# 2 OF 4

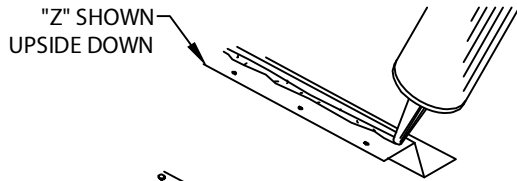
DWG# 38124-10924

B

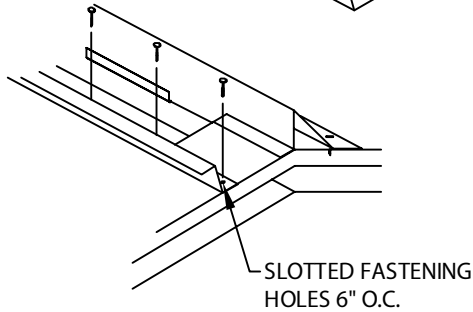
TECHNI-FLO RV

SLOPED ROOF MEETS FLAT ROOF

INSTALLATION INSTRUCTIONS



"Z" SHOWN
UPSIDE DOWN

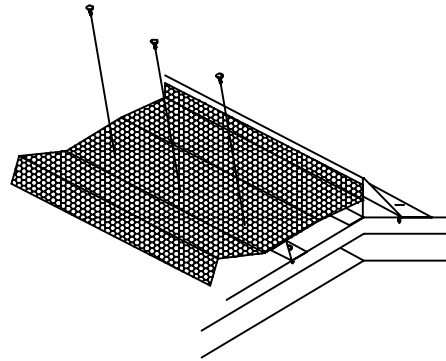


SLOTTED FASTENING
HOLES 6" O.C.

5. MOUNTING BRACKETS

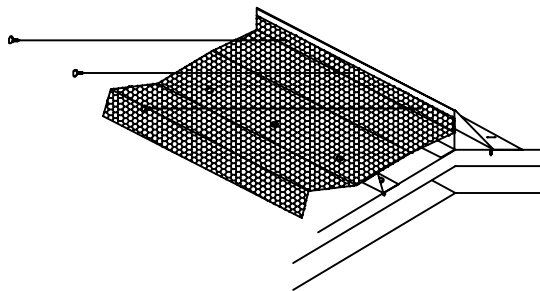
TO PREVENT MOISTURE ENTRY UNDER THE "Z", APPLY A GENEROUS BEAD OF NON-CURING SEALANT TO BOTTOM OF FLANGE. FASTEN BRACKETS AT ROOF AT 6" (152 mm) O.C. WITH APPROPRIATE FASTENERS USING PRE-PUNCHED SLOTTED HOLES. LAP "Z'S" 1".

NOTE: FOAM/SEALANT SHOULD BE PLACED BETWEEN THE "Z" AND FLAT ROOF OVER THE OSB ON THE LAST 6" AT BOTH ENDS (SEE STEP 1)



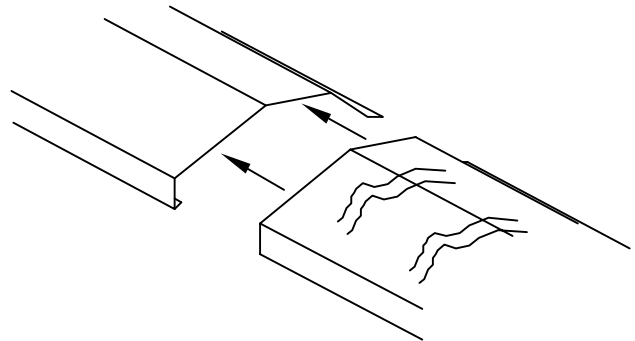
6. EXPANDED METAL SUPPORT SCREEN

PLACE SUPPORT SCREEN CENTERED OVER "Z" BRACKET. FASTEN AT 12" (305 mm) O.C. TO "Z" BRACKET. LAP SUPPORT SCREENS 1".



7. FASTEN

FASTEN TOP OF SUPPORT SCREEN AT 12" (305 mm) O.C. TO WATER DAM. LAP SUPPORT SCREENS 1".



8. SEALANT

8" CONCEALED SPLICE PLATE SUPPLIED AT EACH COVER JOINT. APPLY SEALANT TO TOP OF SPLICE PLATES AS SHOWN. INSTALL THE SPLICE PLATE INTO ONE END OF 12'-0" COVER SO THAT HALF THE SPLICE PLATE IS EXPOSED.



Phone: 855-542-0918
Fax: 800-770-3934
roof.atlasroofing.com

DATE: 3/10/11

SHT.# 3 OF 4

DRN BY: MRK

CKD BY: SAK

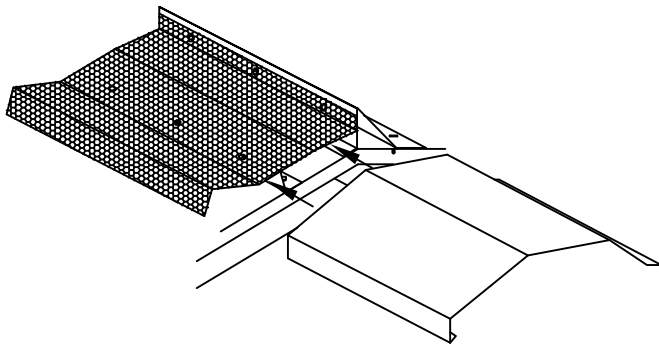
DWG# 38124-10924

B

TECHNI-FLO RV

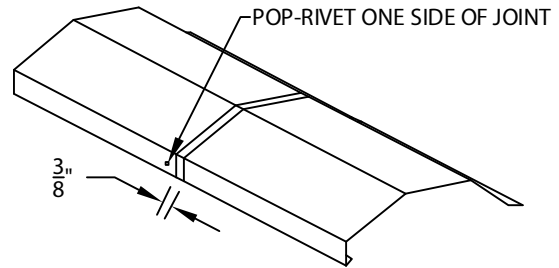
SLOPED ROOF MEETS FLAT ROOF

INSTALLATION INSTRUCTIONS



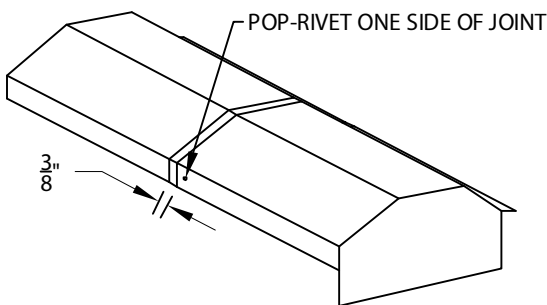
9. COVER

SLIDE COVER INTO PLACE STARTING AT END. END CAPS SHOULD BE UTILIZED AT BOTH ENDS OF EACH STRAIGHT RUN. CONTINUE SLIDING COVERS ON AS SUPPORT SCREEN IS INSTALLED.



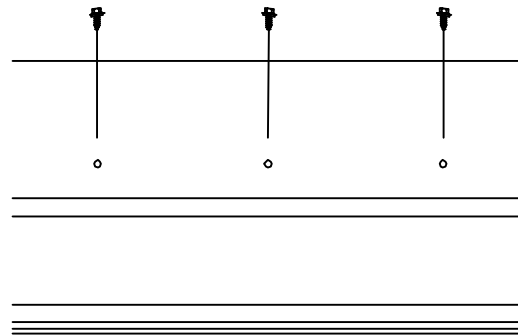
10. POP-RIVET

POP-RIVET SPLICE TO ONE SIDE JOINT TO PREVENT JOINT MIGRATION. CONTINUE INSTALLING COVER WITH A $\frac{3}{8}$ " (10 mm) SPACE AT SPLICE PLATES TO ALLOW FOR THERMAL EXPANSION FIELD CUT WHERE REQUIRED USING A FINE TOOTH HACKSAW. NOTE: REMOVE PROTECTIVE FILM IMMEDIATELY.



11. POP-RIVET

POP-RIVET END CAP TO ONE SIDE JOINT TO PREVENT JOINT MIGRATION. CONTINUE INSTALLING END CAP WITH A $\frac{3}{8}$ " (10 mm) SPACE AT SPLICE PLATES TO ALLOW FOR THERMAL EXPANSION FIELD CUT WHERE REQUIRED USING A FINE TOOTH HACKSAW. NOTE: REMOVE PROTECTIVE FILM IMMEDIATELY.



12. COMPLETION

FASTEN COVER TO WATER DAM AT 12" (305 mm) O.C. WITH APPROPRIATE FASTENERS USING PRE-PUNCHED SLOTTED HOLES. NOTE: ONE FASTENER REQUIRED FOR EACH END CAP



Phone: 855-542-0918
 Fax: 800-770-3934
 roof.atlasroofing.com

DATE: 3/10/11

SHT.# 4 OF 4

DRN BY: MRK

CKD BY: SAK

DWG# 38124-10924

B