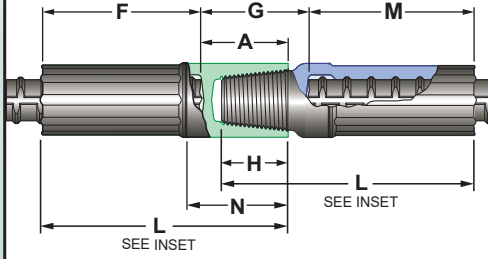


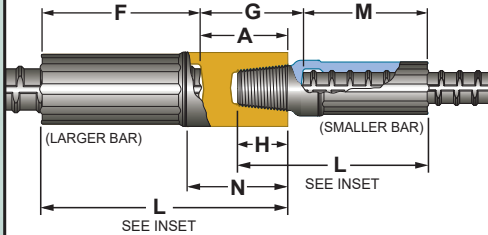
**TAPER THREADED GRIP-TWIST®**



REBAR SIZE US [metric]	TTGT PRODUCT CODE		TAPER THRD. GRIP-TWIST COLOR CODE*	COUPLER WEIGHT (lb)		DIMENSIONS (in)					
	FEMALE	MALE		BAR INSERTION (AFTER SWAGING)		REBAR GAP	MALE INSERTION	END ALLOWANCE	NON-SWAGED LENGTH		
	F	M		F	M	G	H	A	N		
#3 [10]	TT03F	TT03M	ORANGE	0.20	0.18	1 3/8	1 3/8	1 1/2	9/16	1 1/16	1 1/16
#4 [13]	TT04F	TT04M	PINK	0.27	0.27	1 3/4	1 3/4	1 5/8	3/4	1 3/16	1 5/16
#5 [16]	TT05F	TT05M	RED	0.51	0.50	2 1/4	2 1/4	1 7/8	15/16	1 3/8	1 9/16
#6 [19]	TT06F	TT06M	YELLOW	0.99	0.94	2 5/8	2 5/8	2 1/8	1 1/8	1 5/8	1 13/16
#7 [22]	TT07F	TT07M	BLUE	1.49	1.42	3 1/8	3 1/8	2 1/2	1 5/16	1 7/8	2 1/8
#8 [25]	TT08F	TT08M	BLACK	2.11	2.03	3 1/2	3 1/2	2 7/8	1 1/2	2 1/8	2 3/8
#9 [29]	TT09F	TT09M	RED	2.87	2.91	4	4	3 1/4	1 3/4	2 7/16	2 3/4
#10 [32]	TT10F	TT10M	YELLOW	4.1	4.1	4 3/8	4 3/8	3 5/8	2	2 13/16	3 1/8
#11 [36]	TT11F	TT11M	BLUE	4.9	5.1	4 3/4	4 3/4	3 1/2	2 1/16	2 13/16	3 3/16
#14 [43]	TT14F	TT14M	PINK	9.0	9.2	6	6	4 3/8	2 1/2	3 3/8	3 7/8
#18 [57]	TT18F	TT18M	RED	22	22	7 3/4	7 5/8	5 5/8	3 1/4	4 7/16	5 1/16
#20 [63]	TT20F	TT20M	YELLOW	39	38	8 3/4	8 3/4	7 1/4	4 3/8	5 13/16	6 13/16

ALL DIMENSIONS ARE APPROXIMATE

**GRIP-TWIST® TRANSITION SERIES**



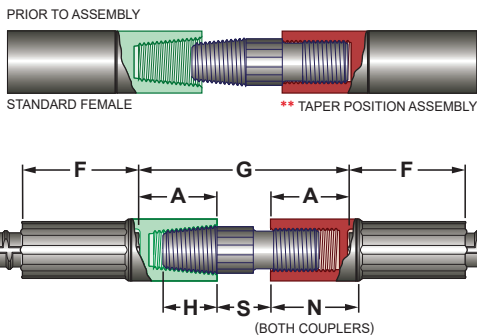
REBAR SIZE US [metric]	TTGT PRODUCT CODE		TTGT TRANS. COLOR CODE*		COUPLER WEIGHT (lb)		DIMENSIONS (in)					
	TRANS. FEMALE	TAPER MALE	TRANS. FEMALE	TAPER MALE	FEMALE	MALE	BAR INSERTION (AFTER SWAGING)		REBAR GAP	MALE INSERTION	END ALLOWANCE	NON-SWAGED LENGTH
	F	M	F	M	F	M	F	M	G	H	A	N
4/3	TT04/03F	TT03M	PINK	ORANGE	0.31	0.18	1 3/4	1 3/8	1 5/8	9/16	1 3/16	1 5/16
5/4	TT05/04F	TT04M	RED	PINK	0.59	0.27	2 1/4	1 3/4	1 7/8	3/4	1 3/8	1 9/16
6/4	TT06/04F	TT04M	YELLOW	PINK	1.14	0.27	2 3/4	1 3/4	2 1/8	3/4	1 9/16	1 13/16
6/5	TT06/05F	TT05M		RED	1.07	0.50		2 1/4	2 1/8	15/16		
7/5	TT07/05F	TT05M	BLUE	RED	1.71	0.50	3 1/8	2 1/4	2 3/8	15/16	1 7/8	2 1/8
7/6	TT07/06F	TT06M		YELLOW	1.62	0.94		2 5/8	2 1/2	1 1/8		
8/5	TT08/05F	TT05M	BLACK	RED	2.50	0.50	3 1/2	2 1/4	2 5/8	15/16	2 1/8	2 3/8
8/6	TT08/06F	TT06M		YELLOW	2.40	0.94		2 5/8	2 3/4	1 1/8		
8/7	TT08/07F	TT07M	RED	BLUE	2.25	1.42	4	3 1/16	2 7/8	1 5/16	2 7/16	2 3/4
9/5	TT09/05F	TT05M		RED	3.55	0.50		2 1/4	3	15/16		
9/6	TT09/06F	TT06M	YELLOW	YELLOW	3.45	0.94	4	2 5/8	3	1 1/8	2 7/16	2 3/4
9/7	TT09/07F	TT07M		BLUE	3.30	1.42		3 1/16	3 1/8	1 5/16		
9/8	TT09/08F	TT08M	BLUE	BLACK	3.13	2.03	4 1/2	3 1/2	3 1/4	1 1/2	2 3/4	3 1/8
10/6	TT10/06F	TT06M		YELLOW	5.0	0.94		2 5/8	3 3/8	1 1/8		
10/7	TT10/07F	TT07M	YELLOW	BLUE	4.9	1.42	4 1/2	3 1/16	3 3/8	1 5/16	2 3/4	3 1/8
10/8	TT10/08F	TT08M		BLACK	4.7	2.03		3 1/2	3 1/2	1 1/2		
10/9	TT10/09F	TT09M	BLUE	RED	4.4	2.91	4 7/8	3 15/16	3 5/8	1 3/4	2 3/4	3 1/8
11/5	TT11/05F	TT05M		RED	4.6	0.50		2 1/4	1 15/16	15/16		
11/6	TT11/06F	TT06M	BLUE	YELLOW	4.6	0.94	4 7/8	2 5/8	2	1 1/8	1 1/2	1 7/8
11/7	TT11/07F	TT07M		BLUE	6.0	1.42		3 1/16	3 3/8	1 5/16		
11/8	TT11/08F	TT08M	PINK	BLACK	5.8	2.03	4 1/4	3 1/2	3 1/2	1 1/2	2 13/16	3 1/4
11/9	TT11/09F	TT09M		RED	5.5	2.91		3 15/16	3 5/8	1 3/4		
11/10	TT11/10F	TT10M	RED	YELLOW	5.2	4.1	5	4 3/8	3 3/4	2	3 3/8	4
14/7	TT14/07F	TT07M		BLUE	8.7	1.42		3 1/16	3 1/2	1 5/16		
14/8	TT14/08F	TT08M	PINK	BLACK	8.5	2.03	4 1/4	3 1/2	3 5/8	1 1/2	2 13/16	3 1/4
14/9	TT14/09F	TT09M		RED	8.2	2.91		3 15/16	3 5/8	1 3/4		
14/10	TT14/10F	TT10M	RED	YELLOW	7.9	4.1	5	4 3/8	3 3/4	2	3 3/8	4
14/11	TT14/11F	TT11M		BLUE	7.5	5.1		4 13/16	3 5/8	2 1/8		
18/8	TT18/08F	TT08M	RED	BLACK	19.3	2.03	5	3 1/2	4	1 1/2	3 3/8	4
18/9	TT18/09F	TT09M		RED	18.1	2.91		3 15/16	4 1/4	1 3/4		
18/10	TT18/10F	TT10M	RED	YELLOW	17.8	4.1	5	4 3/8	4 1/4	2	3 3/8	4
18/11	TT18/11F	TT11M		BLUE	17.4	5.1		4 13/16	4 1/8	2 1/8		
18/14	TT18/14F	TT14M	PINK	16.3	9.2	5 7/8	4 1/2	2 1/2				

ALL DIMENSIONS ARE APPROXIMATE - OTHER TRANSITION SIZES AVAILABLE UPON REQUEST

**TTGT DIAMETERS AND LENGTHS**

REBAR SIZE US [metric]	COUPLER OUTSIDE DIAMETER (in)	COUPLER LENGTH (AFTER SWAGING) 'L' (in)
#3 [10]	3/4	2 7/16
#4 [13]	7/8	2 15/16
#5 [16]	1 1/8	3 5/8
#6 [19]	1 3/8	4 5/16
#7 [22]	1 9/16	5
#8 [25]	1 3/4	5 11/16
#9 [29]	1 15/16	6 1/2
#10 [32]	2 3/16	7 1/4
#11 [36]	2 3/8	7 5/8
#14 [43]	2 7/8	9 3/8
#18 [57]	3 7/8	12 3/16
#20 [63]	4 9/16	14 1/2

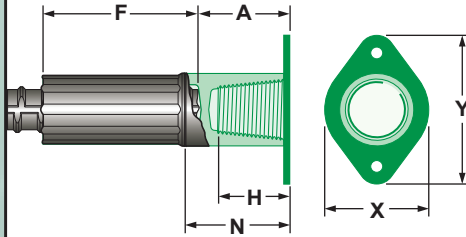
**GRIP-TWIST® POSITION SERIES**



REBAR SIZE US [metric]	TTGT PRODUCT CODE		TTGT POSITION COLOR CODE*	COUPLER WEIGHT (lb)		DIMENSIONS (in)					
	POSITION COUPLER	STUD		POSITION w/ STUD		BAR INSERTION (AFTER SWAGE)	SPACE (AFTER ASSY)	REBAR GAP	MALE INSERTION	END ALLOWANCE	NON-SWAGED LENGTH
	F	S		F	S	F	S	G	H	A	N
#3 [10]	03PF	TT03RP	ORANGE	0.20	0.32	1 3/8	1 3/16	3 5/16	9/16	1 1/16	1 3/16
#4 [13]	04PF	TT04RP	PINK	0.27	0.49	1 3/4	1 3/16	3 9/16	3/4	1 3/16	1 5/16
#5 [16]	05PF	TT05RP	RED	0.51	0.89	2 1/4	1 1/8	3 7/8	15/16	1 3/8	1 9/16
#6 [19]	06PF	TT06RP	YELLOW	0.99	1.58	2 5/8	1 1/4	4 3/8	1 1/8	1 5/8	1 13/16
#7 [22]	07PF	TT07RP	BLUE	1.49	2.52	3 1/8	1 5/8	5 3/8	1 5/16	1 7/8	2 1/8
#8 [25]	08PF	TT08RP	BLACK	2.11	3.45	3 1/2	1 1/2	5 3/4	1 1/2	2 1/8	2 3/8
#9 [29]	09PF	TT09RP	RED	2.87	4.8	4	1 5/8	6 1/2	1 3/4	2 7/16	2 3/4
#10 [32]	10PF	TT10RP	YELLOW	4.1	6.9	4 3/8	1 7/8	7 3/8	2	2 13/16	3 1/8
#11 [36]	11PF	TT11RP	BLUE	4.9	8.7	4 3/4	1 3/4	7 1/4	2 1/8	2 13/16	3 3/16
#14 [43]	14PF	TT14RP	PINK	9.0	15	6	2 1/8	8 3/4	2 1/2	3 3/8	3 7/8
#18 [57]	18PF	TT18RP	RED	22	34	7 3/4	2 1/8	10 3/4	3 1/4	4 7/16	5 1/16
#20 [63]	20PF	TT20RP	YELLOW	39	66	8 3/4	2 3/4	14 3/8	4 3/8	5 13/16	6 13/16

\*\* EACH TAPER POSITION ASSEMBLY (#TPA) CONSISTS OF (1) POSITION COUPLER (#PF) AND (1) PRE-INSTALLED STUD (TT##RP) EACH MARKED WITH CODE ABOVE FOR TRACEABILITY

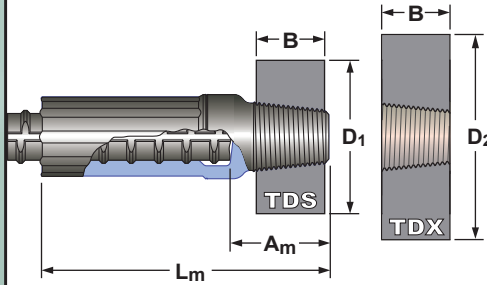
**GRIP-TWIST® FLANGED SERIES**



REBAR SIZE US [metric]	TTGT w/ METAL FLANGE PART CODE	TTGT w/ METAL FLANGE COLOR CODE *	FEM. COUPLER w/ FLANGE WEIGHT (lb)	BAR INSERTION (AFTER SWAGE) F	DIMENSIONS (in)				
					FLANGE WIDTH X	FLANGE HEIGHT Y	MALE INSERTION H	END ALLOWANCE A	NON-SWAGED LENGTH N
#4 [13]	TT04FWFL	PINK	0.34	1 3/4	1 3/8	2	3/4	1 3/16	1 5/16
#5 [16]	TT05FWFL	RED	0.57	2 1/4	1 5/8	2 7/16	15/16	1 3/8	1 9/16
#6 [19]	TT06FWFL	YELLOW	1.08	2 5/8	2	2 15/16	1 1/8	1 5/8	1 13/16
#7 [22]	TT07FWFL	BLUE	1.57	3 1/8	2	2 15/16	1 3/8	1 15/16	2 3/16
#8 [25]	TT08FWFL	BLACK	2.20	3 1/2	2 3/16	3 3/8	1 1/2	2 1/8	2 3/8
#9 [29]	TT09FWFL	RED	3.0	4	2 3/8	3 3/8	1 13/16	2 1/2	2 13/16
#10 [32]	TT10FWFL	YELLOW	4.2	4 3/8	2 5/8	3 11/16	2	2 13/16	3 1/8
#11 [36]	TT11FWFL	BLUE	5.0	4 3/4	2 3/4	3 3/4	2 1/16	2 13/16	3 3/16
#14 [43]	TT14FWFL	RED	9.1	6	3 1/4	4 1/4	2 1/2	3 3/8	3 7/8

ALL DIMENSIONS ARE APPROXIMATE – PLASTIC FLANGE ALSO AVAILABLE FOR SIZES #4, #5 AND #6 – ASK FOR DETAILS

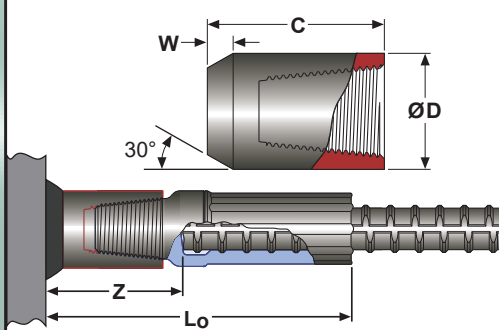
**GRIP-TWIST® DoughNUT™**  
(Meets ASTM A970 Class A & Class HA)



REBAR SIZE US [metric]	DoughNUT PART CODE		LENGTH (AFTER SWAGING) Lm (in)	END ALLOWANCE Am (in)	THICKNESS (in) B	HEAD DIAMETER AND WEIGHT			
	TDS	TDX				TDS SERIES [5Ab] D1 (in) Wt (lb)		TDX SERIES [10Ab] D2 (in) Wt (lb)	
#4 [13]	04TDS	04TDX	2 15/16	1 3/16	3/4	1 3/8	0.25	1 3/4	0.45
#5 [16]	05TDS	05TDX	3 5/8	1 3/8	15/16	1 3/4	0.50	2 3/16	0.85
#6 [19]	06TDS	06TDX	4 5/16	1 5/8	1	1 7/8	0.57	2 5/8	1.28
#7 [22]	07TDS	07TDX	5	1 7/8	1 1/4	2 3/16	1.02	2 7/8	1.98
#8 [25]	08TDS	08TDX	5 11/16	2 1/8	1 5/16	2 7/16	1.33	3 3/8	3.0
#9 [29]	09TDS	09TDX	6 1/2	2 7/16	1 1/2	2 13/16	1.97	3 7/8	4.32
#10 [32]	10TDS	10TDX	7 1/4	2 13/16	1 5/8	3 1/4	2.90	4 1/4	5.59
#11 [36]	11TDS	11TDX	7 5/8	2 13/16	1 7/8	3 7/16	3.66	4 3/4	8.23
#14 [43]	14TDS	14TDX	9 3/8	3 7/16	2 1/8	4 1/4	6.50	5 3/4	13.7
#18 [57]	18TDS	18TDX	12 3/16	4 9/16	2 3/4	5 1/2	13.5	7 1/2	29

ALL DIMENSIONS ARE APPROXIMATE – USED WITH STANDARD TTGT MALE COUPLER

**TTGT STRUCTURAL CONNECTOR**



REBAR SIZE US [metric]	STRUCTURAL CONNECTOR PART CODE	TTGT MALE COLOR CODE *	STRUCTURAL CONNECTOR WEIGHT (lb)	DIMENSIONS (in)				
				STR. CONN. OUTSIDE DIA D	STR. CONN. LENGTH C	WELD BEVEL LENGTH W	REBAR GAP Z	OVERALL LENGTH Lo
#4 [13]	TT04SC	PINK	0.15	7/8	1 3/8	3/16	1 3/4	3 1/2
#5 [16]	TT05SC	RED	0.32	1 1/8	1 11/16	1/4	2 1/8	4 5/16
#6 [19]	TT06SC	YELLOW	0.58	1 3/8	2	1/4	2 1/2	5 1/8
#7 [22]	TT07SC	BLUE	0.83	1 9/16	2 5/16	5/16	2 15/16	6
#8 [25]	TT08SC	BLACK	1.15	1 3/4	2 5/8	3/8	3 5/16	6 13/16
#9 [29]	TT09SC	RED	1.58	1 15/16	3	7/16	3 13/16	7 3/4
#10 [32]	TT10SC	YELLOW	2.24	2 3/16	3 3/8	1/2	4 3/16	8 9/16
#11 [36]	TT11SC	BLUE	2.80	2 3/8	3 5/8	9/16	4 1/2	9 3/8
#14 [43]	TT14SC	PINK	5.1	2 7/8	4 3/8	11/16	5 3/8	11 1/4
#18 [57]	TT18SC	RED	12.3	3 7/8	5 3/4	7/8	7 1/16	14 11/16
#20 [63]	TT20SC	YELLOW	20	4 9/16	6 5/8	1	8 1/16	16 9/16

ALL DIMENSIONS ARE APPROXIMATE

**TAPER THREADED GRIP-TWIST® – Equipment and Installation**

A Bench Press BP2600 fitted with a two-piece die set and powered by an electrically-driven hydraulic pump is used by the rebar fabricator to efficiently swage Grip-Twist® coupler components. The equipment operator depresses a foot control to actuate the system. As the ram extends and pushes the dies towards each other, the coupler component is forced to deform around the rebar and interlock with the bar profile. When a swaging bite has been completed, a pressure switch automatically stops the process and the operator retracts the ram for the next bite. For ease of use, swaging dies are color coded to indicate the rebar and coupler size. Color codes are shown on Grip-Twist® Dimensions and Data Charts.

NOTE: In lieu of shop installation, it may sometimes be appropriate to use BPI-Grip field-swaging equipment such as press models BG1140M or BG750M. Contact BPI for assistance with your specific application.

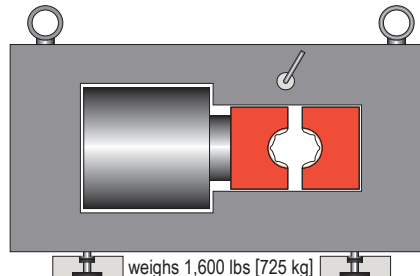
\* COLOR CODE OF COUPLER MUST MATCH COLOR OF DIE SET

**BP2600**

Bench press for swaging all sizes up to No. 20 (Ø 63 mm).

Double acting cylinder produces 300 tons of force connected to 10 or 15 hp pump for high fabrication shop productivity.

Press includes foot control, lifting eyes and leveling feet.



weighs 1,600 lbs [725 kg]

**BPI® Equipment is available for lease or purchase.**  
Equipment must be used in accordance with manuals, lease agreements, manufacturers' directions and all safety instructions.

While the information contained in this document is believed to be accurate at the time of publication, BPI reserves the right to make changes, design modifications, corrections and other revisions as it sees fit, without notice. All products described herein are supplied in accordance with BPI's standard Terms and Conditions of Sale. This document is of a promotional nature only. Aspects of structural design, evaluation of product fitness for use, suitability or similar attributes are the responsibility of others.



**DOWNLOAD THE FREE BARSPlice APP AND FOLLOW US ON SOCIAL MEDIA!**



Barsplice Products, Inc., 4900 Webster Street, Dayton OH 45414, USA  
Tel: 937-275-8700 • www.barsplice.com • e-mail: bar@barsplice.com



Copyright © 2023, Barsplice Products, Inc., "BPI". All rights reserved.