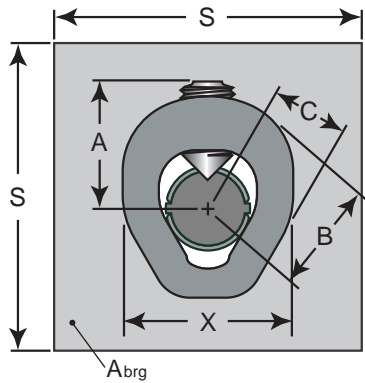
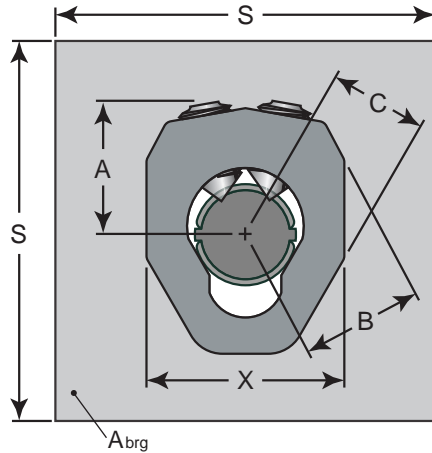


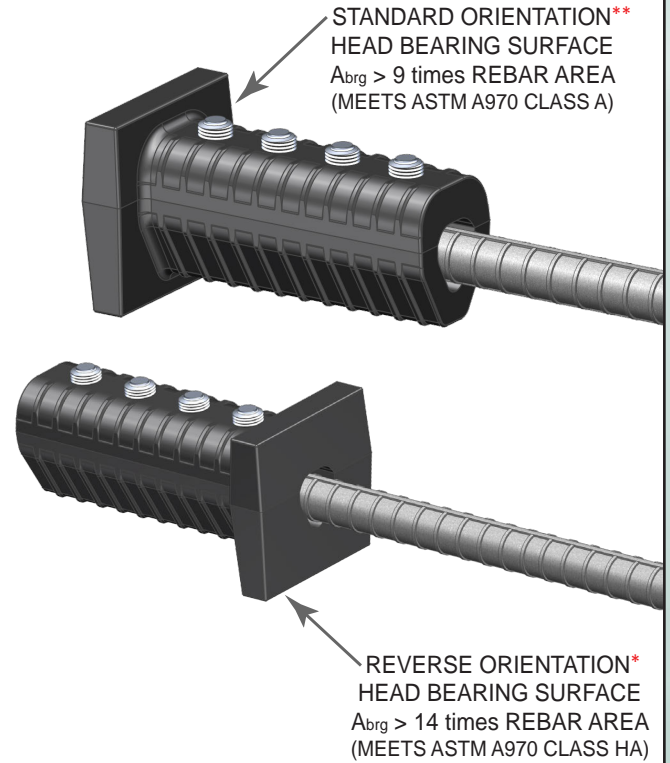
SIDE VIEW



END VIEW (SIZES 12 - 29)



END VIEW (SIZES 32 - 43)



ZAP T-LOK™		DIMENSIONS & DATA									
REBAR SIZE Metric [CAN]	PRODUCT CODE *	WEIGHT (kg)	LENGTH 'L' (mm)	'A' (mm)	'B' (mm)	'C' (mm)	'X' (mm)	'S' (mm)	'T' (mm)	NUMBER OF SCREWS	AVG SCREW TORQUE (Nm)
12 [10M]	0405ZDX	1.32	127	32	29	16	41	64	13	4	80
16 [15M]	0405ZDX	1.32	127	35	25	19	41	64	13	4	
20 [20M]	0607ZDX	2.59	165	41	35	19	48	83	16	5	140
22	0607ZDX	2.59	165	35	32	22	48	83	16	5	
25 [25M]	0809ZDX	4.9	213	51	44	25	60	108	19	5	290
29 [30M]	0809ZDX	4.9	213	46	40	29	60	108	19	5	
32	1011ZDX	8.3	216	51	48	32	70	133	25	9	
36 [35M]	1011ZDX	8.3	216	44	43	35	70	133	25	9	470
38	14ZDX	15.4	264	60	52	41	89	159	32	11	
40	14ZDX	15.4	264	57	51	41	89	159	32	11	
43 [45M]	14ZDX	15.4	264	54	51	41	89	159	32	11	

* EPOXY COATED ALSO AVAILABLE - SUBSTITUTE "ZDXE" FOR "ZDX" IN PART CODE.

ALL DIMENSIONS ARE APPROXIMATE

* A_{brg} = net bearing area of the head in tension. For Zap T-lok, $A_{brg} > 9 \times$ area of reinforcing bar with connecting body in front of bearing surface (meets ASTM A970 Class A requirements). $A_{brg} > 14 \times$ area of reinforcing bar with connecting body behind bearing surface (meets ASTM A970 Class HA requirements).

While the information contained in this document is believed to be accurate at the time of publication, BPI reserves the right to make changes, design modifications, corrections and other revisions as it sees fit, without notice. All products described herein are supplied in accordance with BPI's standard Terms and Conditions of Sale. This document is of a promotional nature only. Aspects of structural design, evaluation of product fitness for use, suitability or similar attributes are the responsibility of others.



**DOWNLOAD THE FREE BARSPlice APP
AND FOLLOW US ON SOCIAL MEDIA!**



Barsplice Products, Inc., 4900 Webster Street, Dayton OH 45414, USA
Tel: 937-275-8700 • www.barsplice.com • e-mail: bar@barsplice.com

Copyright © 2023, Barsplice Products, Inc., "BPI". All rights reserved.

