



an AmesburyTruth™ company



*Add Basement  
Living Space to  
Your Home*

**Experience.  
Innovation.**

## **Residential Products**

- Basement Doors
- Egress Window Wells

800.854.9724  
WWW.BILCO.COM

Basement doors are ideal for access to basement storage areas and for moving large items into finished basement areas. The wide opening allows storage items such as deck and patio furniture, and large items such as pool tables and furniture, to be easily moved in and out of a basement. Doors meet IRC 2018 building code requirements for emergency egress in finished basement living areas and feature weather resistant construction.



## Classic Series Steel Sided

### Features:

- Patented gas spring lift assistance for improved operation
- Baked-on Sherwin Williams primer provides durable base for finish paint
- Slide bolt locking mechanism (optional keyed lock kit available)
- Flanged construction and J-channel header shed water and prevent binding due to ice and snow, permitting all-season use

### Available with a Powder Coat Paint Finish

BILCO Classic Series steel basement doors are now offered with a factory-applied polyester powder coat finish. The polyester resin provides a durable, weather-resistant coating. Cured at higher temperatures than most wet coatings, the result is a tougher and chip-resistant coating, providing both a decorative and protective finish.

### Color Choices



White



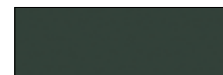
Sandstone



Light Gray



Brick



Hunter Green

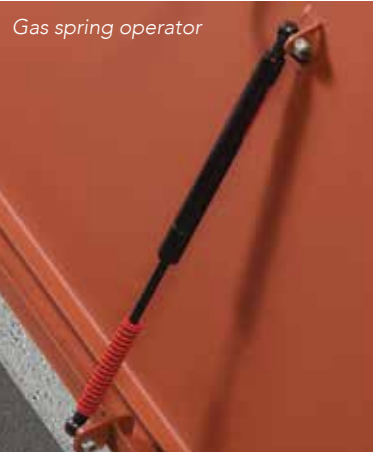


Black

Powder coated basement doors can be ordered with a keyed lock kit. Doors are pre-punched with lock kit mounting holes for easy installation. See page 5 for more information.



Log on to [www.BILCO.com](http://www.BILCO.com) to find a sales representative near you.



For use on existing masonry sidewalls.

## Classic Series

### Type BR Sloped Wall Door

New Design! Features gas spring lift assistance and an easy to install design.

#### Features:

- Heavy-duty steel construction
- Designed with a flat frame for ease of installation
- Gas spring operators and supplemental coil springs counter-balance the door leaves for easy, one-hand operation
- Baked-on Sherwin Williams primer provides durable base for finish paint
- Flanged construction and J-channel header shed water and prevent binding due to ice and snow, permitting all-season use
- Available in three standard sizes and extension panels and foundation plate are available to accommodate virtually any areaway dimension





Wood grain texture



Louver and screen side panel window inserts

*Available in Size C only*

## Ultra Series

### Features:

- Corrosion-resistant high-density, polyethylene construction
- Simulated wood design
- Pleasing driftwood color
- Will not rust and never needs painting
- Interchangeable side panel inserts allow homeowners to add light and/or ventilation to their basement areaway
- Motion dampers provided for safe and controlled door operation
- Slide bolt locking mechanism



## Basement Accessory Products

### Keyed Lock Kit

With a BILCO basement door lock, a simple turn of the key opens the door from the outside, providing convenient access to basement storage areas, workshops, playrooms and utility rooms. The lock kit is designed for homeowner installation and is supplied with a template and complete instructions for quick, easy installation. Watch our on-line installation video.



### Foundation Plates

Used in both new and retrofit applications, foundation plates improve an areaway's appearance, cover rough masonry, reduce the inside areaway width, or provide side support in corner installations. Formed plates are constructed of prime-painted steel and are available with an optional powder-coat paint finish (see available colors on page 2). Foundation plates are 72" in length and are available in 5", 8", 11" and 14" widths.



### Stair Stringers

Stringers are available for all size BILCO basement doors. Constructed of heavy gauge galvanized steel, stringers are ideal for replacing existing wooden basement steps. The removable tread design allows bulky items to be easily moved into the basement for storage.

#### Standard Sizes

Basement Door	Stair Stringer		
	Model	Stringer Length	No. of Stair Treads
Size SL	Size SL-SS	34 $\frac{3}{8}$ "	4
Size O	Size O-SS	51 $\frac{3}{8}$ "	6
Size B	Size B-SS	59 $\frac{3}{4}$ "	7
Size C	Size C-SS	68 $\frac{3}{8}$ "	8

Multiple stringers can be used together and extensions (SZ-E-SS) are also available for non-standard areaways. Extensions are 25 $\frac{1}{4}$ " in length and add 3 stair treads.



### Weather Strip Kit – **NEW**

BILCO's new weather strip kit is easy to install and includes a series of gaskets specifically designed to seal the intricate shape and areas of a basement door. The kit is supplied with complete installation instructions and the only tools required are tin snips or large scissors. Simply trim the materials as instructed to match your specific door model (possibly even other brands of steel basement doors) and enjoy your well-sealed areaway. Watch our on-line installation video.





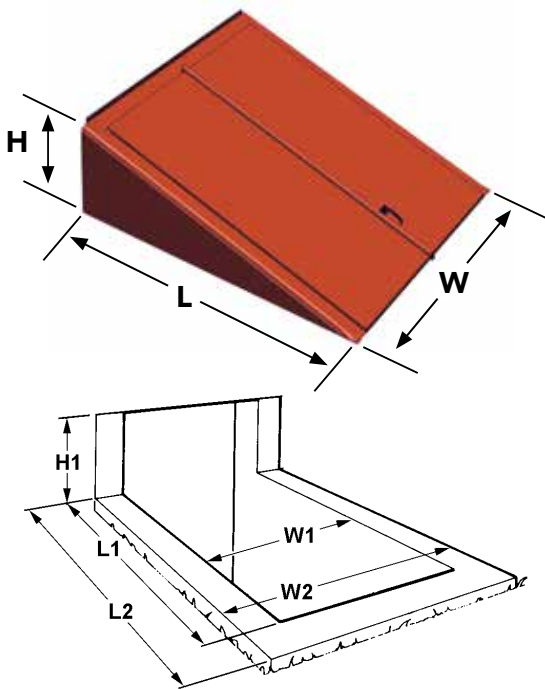
## Basement Door Measuring Guide

Follow the instructions below to calculate the proper size door for your areaway. An electronic version of this sizing guide is also available at [www.BILCO.com](http://www.BILCO.com). Please contact BILCO if you are unable to find a standard door to fit your areaway.

### Areaway — Flat Foundation

#### Ultra Series and Classic Series Doors

1. Discard your old door and measure (in inches) the dimensions of the areaway foundation.
2. Measure dimension W1, the inside width, and dimension W2, the outside width of the areaway foundation walls. Record your dimensions below and make the calculation shown.
3. Measure dimension L1, the inside length, and dimension L2, the outside length of the areaway foundation walls. Record your dimensions and make the calculation shown.
4. Measure dimension H1, the height from the top of the areaway foundation to the top of the opening in the house foundation.
5. Select the door from the table to the right with a width between W1 and W2 and length between L1 and L2.



#### Basement Door Dimensions

Door Size	Width (W) (inches)	Length (L) (inches)	Height (H) (inches)	Door Opening	
				Length (inches)	Width (inches)
B	51	64	22	60	44
C*	55	72	19½	67	48
O	47	58	30	58	40
SL	51	43¼	52	60	44

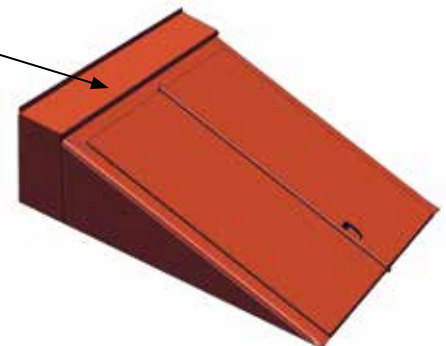
\*Ultra Series Doors are available in Size C only

#### Record your foundation dimensions here

<b>Width</b> W1 + 4" = ____ W2 = ____	<b>Length</b> L1 + 2" = ____ L2 = ____	<b>Height</b> H1 = ____
---	--	----------------------------

**Extensions** are available to increase the door length for Size C Ultra and Size C Classic Series doors. Classic Series extensions are available in 6", 12", 18", 24" and 30" lengths and two or more can be mounted back to back to increase the door length. Ultra Series extensions are available in 6" and 12" lengths and two extensions can be combined to increase the door length.

Extension



Log on to [www.BILCO.com](http://www.BILCO.com) to find a sales representative near you.

## Areaway — Sloped Masonry

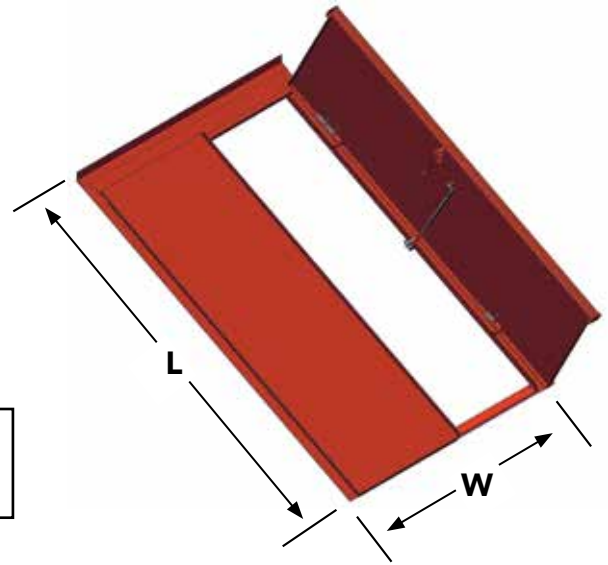
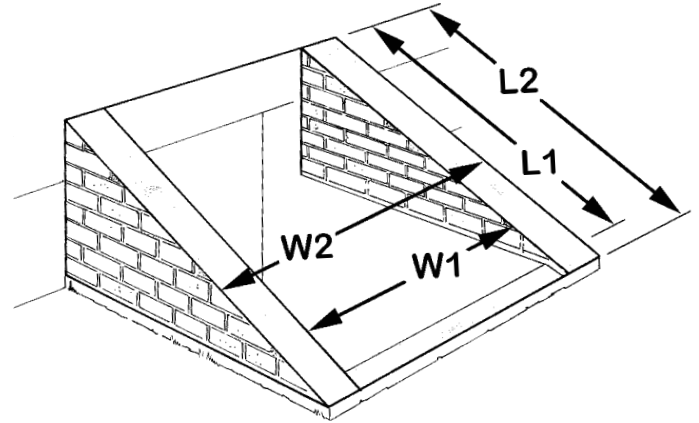
### Type BR Sloped Wall Door

1. Discard your old door and measure the dimensions of the areaway foundation as shown below.
2. Measure dimension W1, the inside width, and W2, the outside width of the foundation sloped sidewalls. Walls may not be uniformly spaced, so check at several points for the narrowest dimension.
3. Measure dimension L1, the inside length, and L2, the outside length of the areaway foundation.
4. Using table below, select a model whose inside door width is equal to or more than W1 and less than W2.

Examples: W1 = 38" - Select BR-2  
 W1 = 44" - Select BR-3

**NOTE: BILCO Foundation plates are available to reduce the width of your foundation opening.**

5. Select a door length that is at least 2" longer than L1 and no longer than L2. NOTE: BILCO Extension Panels are available to increase the length of the basement door. See below for more information.



Record your foundation dimensions here

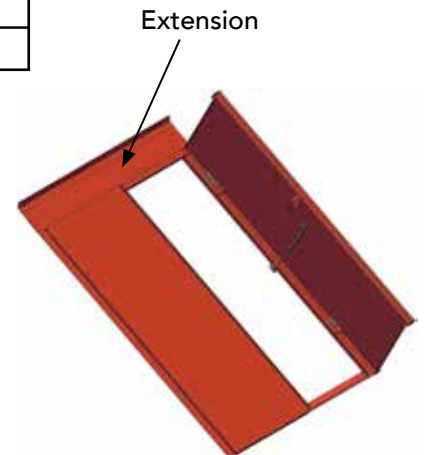
<b>Width</b>		<b>Length</b>	
W1 = ____	W2 = ____	L1 = ____	L2 = ____

### Sloped Wall Basement Door Dimensions

Model	Door Width		Door Length				
	Inside	Overall	Inside	Overall	Overall - With Extension Panels		
					6" Ext	12" Ext	18" Ext
BR-1	36"	43-3/16"	58"	65-1/8"	70-1/8"	76-1/8"	82-1/8"
BR-2	40"	47-3/16"	60-1/4"	67-5/8"	72-5/8"	78-5/8"	84-5/8"
BR-3	44"	51-3/16"	67-3/8"	74-1/2"	79-1/2"	85-1/2"	91-1/2"

\*Extension panels must overlap the door's head panel by at least 1".

Extensions are available to increase the door length in 6", 12", and 18" sizes. Two or more extensions can be overlapped to make longer extensions. Note: Extension panels must overlap the door's header panel by a least 1". Refer to table above for door lengths with extension panels.



BILCO window well systems add natural daylight and ventilation to basement rooms, making them as warm and comfortable as any area in the home. Window well systems meet IRC 2018 building code requirements for emergency egress and are constructed of non-corrosive materials for many years of maintenance free service.



*Consists of side-and step-panels that simply snap together on-site*



*Heavy duty molded panels feature a structural foam core for added strength and rigidity*

## **ScapeWEL<sup>®</sup>** Window Well System

### **Features:**

- Step design aids emergency egress and can be landscaped with plants or flowers for added visual enhancement
- High-density polyethylene molded construction will never rust, rot, or change color and is UV-stabilized for long life
- Attractive driftwood color complements basement interior and blends with any architecture
- Easily cleaned with standard household cleaners
- Available in a number of sizes to accommodate virtually any foundation height



Log on to [www.BILCO.com](http://www.BILCO.com) to find a sales representative near you.



*Modules can be stacked to accommodate virtually any foundation height*



*Single modules work well with utility windows*

## **StakWEL®** Modular Window Well System

### **Features:**

- Modular system provides corrosion resistant performance at “steel-like” prices
- High-density polyethylene molded construction will never rust, rot or change color and is UV-stabilized for long life
- Unique “Grip/Step” design features convenient handle and gusseted step to meet emergency egress requirements
- Neutral driftwood color and pebbled interior finish will complement the interior of any home
- Overlapping ribs and tabbed inserts lock module together to form a cohesive assembly
- Modular system can be used on foundations of ten foot and greater in depth

## Selecting the Proper Size

### Step 1:

Measure or calculate dimension **A** as shown in the detail on the right based on the site's grade conditions and foundation height.

### Step 2:

Determine the required window well side panel height by performing this simple calculation:

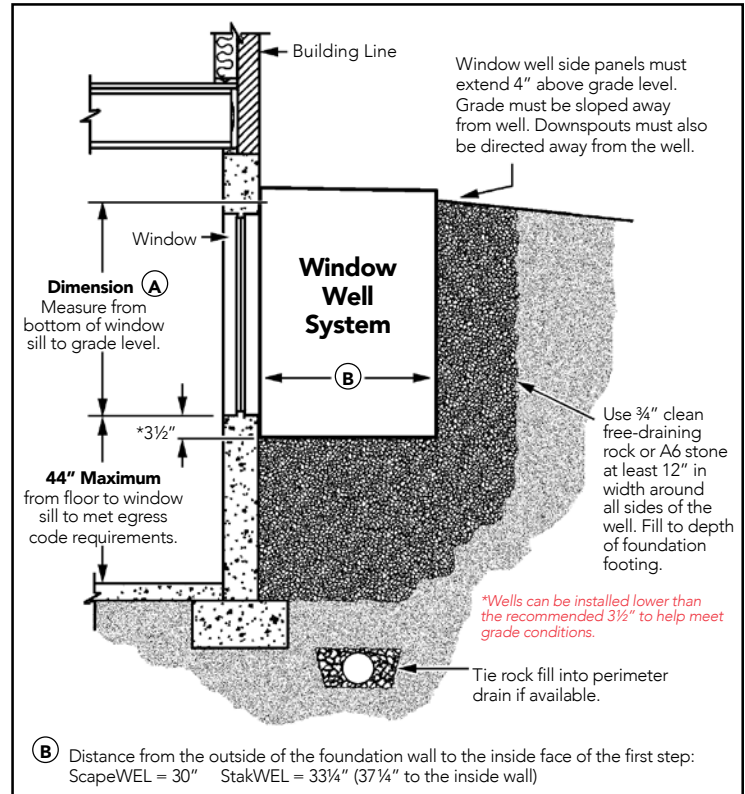
Required Side Panel Height = Dimension **A** + 7½"

From the table below, select the closest height that will meet the site conditions.

### Step 3:

Once the side panel height has been determined, read across and select the desired window width. With the window size selected, read across to select the proper window well and cover.

**Note:** Both StakWEL<sup>®</sup> and ScapeWEL<sup>®</sup> models satisfy building code requirements for emergency egress.



## Standard Sizes and Model Numbers

ScapeWEL <sup>®</sup> Window Well System									
Model No.	No. of Tiers (steps)	Inside Width	Projection from Foundation	Side Panel Height			Maximum Window Width		Optional Dome Cover
				Standard	With Extension*		Wall Mount	Buck Mount	
					Height	Model No.			
4048-42	2	42"	41"	48"	X	X	42"	38"	4042C
4048-54	2	54"	41"	48"	X	X	54"	50"	4054C
4048-66	2	66"	41"	48"	X	X	66"	62"	4066C
4862-42	3	42"	49"	62"	81"	3019-42	42"	38"	4842C
4862-54	3	54"	49"	62"	81"	3019-54	54"	50"	4854C
4862-66	3	66"	49"	62"	81"	3019-66	66"	62"	4866C

X - Not Available.

\*Extensions are only available for 3-tier window well models. Note: The distance from the outside of the foundation wall to the inside face of the first step is 30".

StakWEL <sup>®</sup> Modular Window Well System					
Model No.	Height Based on No. of Modules	Inside Width	Keyhole Centers	Projection from Foundation	Optional Dome Cover
stkwl	(1) = 21"	54"	58"	40¼"	stkwl-c
stkwl	(2) = 36¾"	54"	58"	40¼"	stkwl-c
stkwl	(3) = 51¾"	54"	58"	40¼"	stkwl-c
stkwl	(4) = 67⅝"	54"	58"	40¼"	stkwl-c
stkwl	(5) = 82½"	54"	58"	40¼"	stkwl-c
stkwl	(6) = 97⅝"	54"	58"	40¼"	stkwl-c

Note: StakWEL Window Wells cannot be used with 60" wide windows. Use ScapeWEL model for this window size.

## Window Well Dome Cover Option

Limits the accumulation of snow, leaves and debris. Constructed of polycarbonate, this high impact cover is UV-resistant and designed for durability and long life.

**Note:** For applications with a casement window, the well must be installed so that it is above the top of the window for a dome cover to be utilized.



ScapeWEL Dome Cover



StakWEL Dome Cover

Log on to [www.BILCO.com](http://www.BILCO.com) to find a sales representative near you.

## Services and Programs

### BILCO Model Home Programs

Experienced builders know that BILCO products add value, quality selling features and more saleable square footage to their homes. That's why many large builders turn to BILCO for help in their model home programs. BILCO offers a number of model home programs, each specifically designed to help builders meet their individual needs and product demands.

To learn more, go to [www.bilco.com](http://www.bilco.com).



### Installation through BILCO Independent Installers

BILCO residential products are available through a network of independent installers. These installers are part of BILCO's Independent Installer Program, a partnership program that provides installation services for new construction or remodeling projects using BILCO basement doors and/or window well systems.

Every BILCO independent installer has a proven history of quality installation services and/or business practices and has completed the BILCO product field training program.

If you are a homeowner looking to add a BILCO residential product to your home, a BILCO independent installer can help! To find an installer in your area, [www.bilco.com](http://www.bilco.com).



### Warranty

BILCO residential products are backed by a five-year warranty\* against defects in material and workmanship provided that the product has been installed in accordance with the manufacturer's instructions. BILCO products are designed to operate to the customer's satisfaction and to provide years of trouble-free service. Should a part fail to function in normal use within this time period from the date of purchase, a new part will be furnished at no charge.

*\*The Powder Coat finish on the Classic Series Basement Door carries a 1-year warranty. This warranty covers peeling, cracking, chalking and fading of the coating and does not cover scratches or other damage to the coating.*





# Experience. Innovation.

- *Commercial Access Products* • *Fire Protection Products* • *Safety Products*
- *Basement Access Products* • *Basement Egress Products*

## North American Sales

### United States

The BILCO Company

Phone: 800.854.9724

Fax: 740.455.3400

E-mail: residential@BILCO.com

### Canada

BILCO Canada

Phone: 519.659.7331

Fax: 519.455.8593

E-mail: canada@BILCO.com

800.854.9724

WWW.BILCO.COM



an Amesbury **Truth**™ company