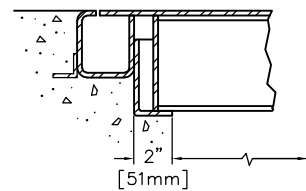
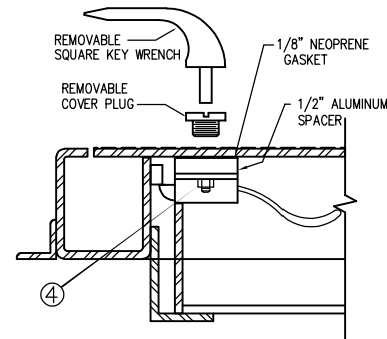
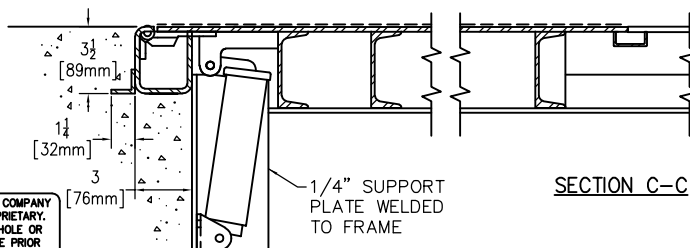
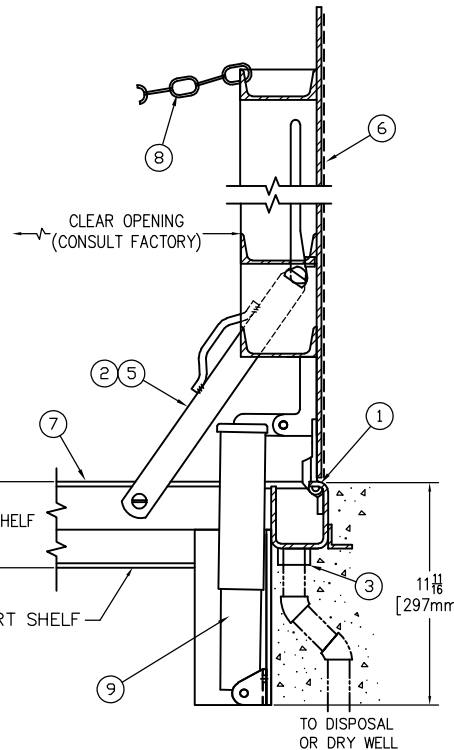


NOTE:
DESIGNED TO WITHSTAND H-20 WHEEL LOADINGS SUITABLE FOR USE IN OFF-STREET LOCATIONS WHERE NOT SUBJECTED TO HIGH DENSITY TRAFFIC



CHANNEL SUPPORT SHELF MUST BE SUPPORTED BY CONCRETE OR STEEL TO CARRY H-20 LOADING



SPECIFICATIONS

1. BILCO HEAVY DUTY FORGED STAINLESS STEEL HINGES WITH STAINLESS STEEL PINS
2. GUIDE ARM (IF REQ'D)
3. 1-1/2" DRAIN COUPLING
4. STANDARD SLAM LOCK
5. BILCO AUTOMATIC HOLD OPEN ARM W/ RED VINYL GRIP
6. 1/4" STEEL DIAMOND PATTERN PLATE COVER
7. BILCO 1/4" STEEL CHANNEL FRAME WITH WELDED 1 1/4" X 1 1/4" ANCHOR FLANGE
8. HEAVY DUTY CHECK CHAIN
9. SPRING LIFTING MECHANISM

SHOP FINISH:

STEEL: RED OXIDE PRIMER

HARDWARE: NON-CORROSIVE MATERIALS
(UNLESS OTHERWISE SPECIFIED)

REINFORCED FOR H20 LOADING

INSTALLER NOTES:

- A. USE CAUTION. COVER IS SPRING LOADED. DO NOT REMOVE SAFETY SHIPPING BOLT UNTIL UNIT IS TO BE INSTALLED AND IN NORMAL HORIZONTAL OPERATING POSITION.
- B. BE SURE UNIT IS SET ON SLIGHT PITCH TOWARD DRAIN CORNER.
- C. BEFORE ANCHORING IN PLACE OPEN AND CLOSE DOOR. CHECK TO SEE THAT THE DOOR IN THE CLOSED POSITION RESTS ON THE FRAME ALL AROUND. IF NOT, SHIM UNDER THE FRAME AT THE PROPER CORNER.
- D. DO NOT REDUCE 1 1/2" DRAIN PIPE TO DRY WELL OR DISPOSAL SYSTEM.

CUSTOMER:

P.O. N°

JOB:

SALES REP:

Manufacturers of Doors for Special Services
Bilco® THE BILCO COMPANY
New Haven, Connecticut 06505

DOUBLE LEAF ACCESS DOOR TYPE JD-H20 - EXTERIOR

QTY	TYPE	SIZE WIDTH x LENGTH	SHELF DEPTH
	JD-1H20	4'-0" x 2'-6" [1220mm] x [782mm]	4 1/2" [114mm]
	JD-2H20	4'-0" x 4'-0" [1220mm] x [1220mm]	5 1/2" [140mm]
	JD-3H20	4'-0" x 6'-0" [1220mm] x [1830mm]	7 1/2" [191mm]
	JD-4H20	5'-0" x 5'-0" [1525mm] x [1525mm]	6 1/2" [165mm]

THIS DRAWING IS THE PROPERTY OF THE BILCO COMPANY AND INCORPORATES INFORMATION WHICH IS PROPRIETARY. PUBLICATION AND/OR PUBLIC DISTRIBUTION IN WHOLE OR IN PART IS EXPRESSLY PROHIBITED WITHOUT THE PRIOR WRITTEN CONSENT OF THE BILCO COMPANY. THE INFORMATION CONTAINED HEREIN REMAINS THE PROPERTY OF THE BILCO COMPANY. ALL RIGHTS RESERVED.