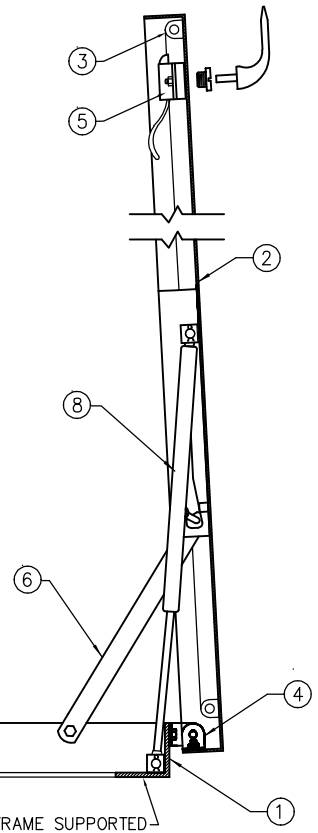


ABOVE SHOWN WITH OPTIONAL POST & CHAINS AND PADLOCK HASP



**SPECIFICATIONS**

- 3" X 3" X 1/4" ALUMINUM ANGLE FRAME
- 1/8" ALUMINUM DIAMOND PLATE COVER
- GASKET (ALL AROUND COVER)
- PINTLE HINGE (S/S)
- SLAM LOCK W/ REMOVABLE HANDLE & COVER PLUG
- HOLD OPEN ARM W/ RED VINYL GRIP
- GUIDE ARM (IF REQ'D-DETERMINED BY SIZE)
- GAS STRUT LIFTING MECHANISM (POWDER COATED)

**OPTIONS**

- (SHOWN ON DRAWING FOR REFERENCE ONLY)
- PADLOCK LUGS (#1/2" HOLE, PADLOCK BY OTHERS)
  - POSTS & CHAINS

SHOP FINISH:  
 ALUMINUM: MILL FINISH  
 HARDWARE: NON-CORROSIVE MATERIALS (UNLESS OTHERWISE SPECIFIED)

**INSTALLER NOTES:**

FOLLOW MANUFACTURES INSTALLATION INSTRUCTIONS, TO BE SUPPLIED WITH UNITS

CUSTOMER:

P.O. N°

JOB:

SALES REP:

Manufacturers of Doors for Special Services  
**Bilco** THE BILCO COMPANY  
 New Haven, Connecticut 06505

**SINGLE LEAF ACCESS DOOR  
 TYPE SM - SURFACE MOUNT  
 SIZE**

QTY	TYPE	WIDTH	LENGTH
<input type="checkbox"/>	SM-1	2'-0" x 2'-0" [610mm] x [610mm]	
<input type="checkbox"/>	SM-2	2'-6" x 2'-6" [762mm] x [762mm]	
<input type="checkbox"/>	SM-3	3'-0" x 2'-6" [914mm] x [762mm]	
<input type="checkbox"/>	SM-4	3'-0" x 3'-0" [914mm] x [914mm]	
<input type="checkbox"/>	SM-5	3'-6" x 3'-6" [1067mm] x [1067mm]	

FOR SIZE LIMITATIONS ON THIS PRODUCT, CONSULT FACTORY

THIS DRAWING IS THE PROPERTY OF THE BILCO COMPANY AND INCORPORATES INFORMATION WHICH IS PROPRIETARY. PUBLICATION AND/OR PUBLIC DISTRIBUTION IN WHOLE OR IN PART IS EXPRESSLY PROHIBITED WITHOUT THE PRIOR WRITTEN CONSENT OF THE BILCO COMPANY. THE INFORMATION CONTAINED HEREIN REMAINS THE PROPERTY OF THE BILCO COMPANY. ALL RIGHTS RESERVED.