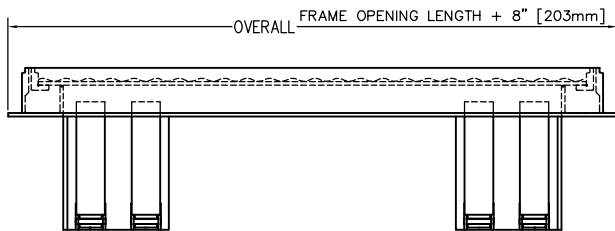
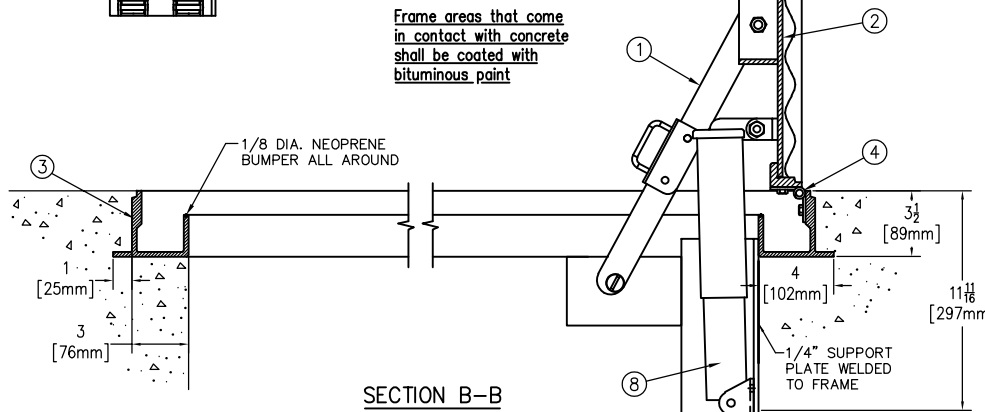


SECTION A-A  
STANDARD SLAM LOCK



NOTE:  
TYPE TER DOORS ARE DESIGNED WITH A 1" [25mm] PAN COVER TO ACCEPT A VARIETY OF FLOORING MATERIALS. SIZES ARE LIMITED & DEPENDENT UPON WEIGHT OF FILL MATERIAL. (CONSULT FACTORY)



SECTION B-B

Frame areas that come in contact with concrete shall be coated with bituminous paint

**SPECIFICATIONS**

1. BILCO AUTOMATIC LOCK OPEN ARM
2. 1/4 ALUMINUM COVER (COVER REINF. FOR 150 LBS PER SQ. FOOT LIVE LOAD)
3. BILCO 1/4" ALUMINUM CHANNEL WITH EXTRUDED 1" ANCHOR FLANGE
4. STAINLESS STEEL 3" PIANO HINGE
5. TERRAZZO REINF. WIRE MESH (2"x1"x.063 GALV.)
6. STANDARD SLAM LOCK
7. REMOVABLE SQUARE KEY WRENCH
8. SPRING LIFTING MECHANISM
9. GUIDE ARM (IF REQ'D)

SHOP FINISH:  
ALUMINUM: MILL FINISH  
HARDWARE: NON-CORROSIVE MATERIALS (UNLESS OTHERWISE SPECIFIED)

REINFORCED FOR 150 Lbs. PER Sq. Ft. (732 kg. PER Sq. METER) LIVE LOAD

**INSTALLER NOTES:**

- A. USE CAUTION. COVER IS SPRING LOADED. DO NOT REMOVE SAFETY SHIPPING BOLT UNTIL UNIT IS TO BE INSTALLED AND IN NORMAL HORIZONTAL OPERATING POSITION.
- B. BEFORE ANCHORING IN PLACE OPEN AND CLOSE DOOR. CHECK TO SEE THAT THE DOOR IN THE CLOSED POSITION RESTS ON THE FRAME ALL AROUND. IF NOT, SHIM UNDER THE FRAME AT THE PROPER CORNER.

CUSTOMER:

P.O. N°

JOB:

SALES REP:

Manufacturers of Doors for Special Services  
**Bilco** THE BILCO COMPANY  
New Haven, Connecticut 06505

**SINGLE LEAF ACCESS DOOR  
TYPE TER - PAN DOOR**

QTY	TYPE	SIZE WIDTH x LENGTH
□	TER	x HINGE SIDE

TYPE & THICKNESS OF MATERIAL TO BE INSTALLED IN PAN

(TOTAL THICKNESS MUST BE 1" [25mm])

THIS DRAWING IS THE PROPERTY OF THE BILCO COMPANY AND INCORPORATES INFORMATION WHICH IS PROPRIETARY. PUBLICATION AND/OR PUBLIC DISTRIBUTION IN WHOLE OR IN PART IS EXPRESSLY PROHIBITED WITHOUT THE PRIOR WRITTEN CONSENT OF THE BILCO COMPANY. THE INFORMATION CONTAINED HEREIN REMAINS THE PROPERTY OF THE BILCO COMPANY. ALL RIGHTS RESERVED.