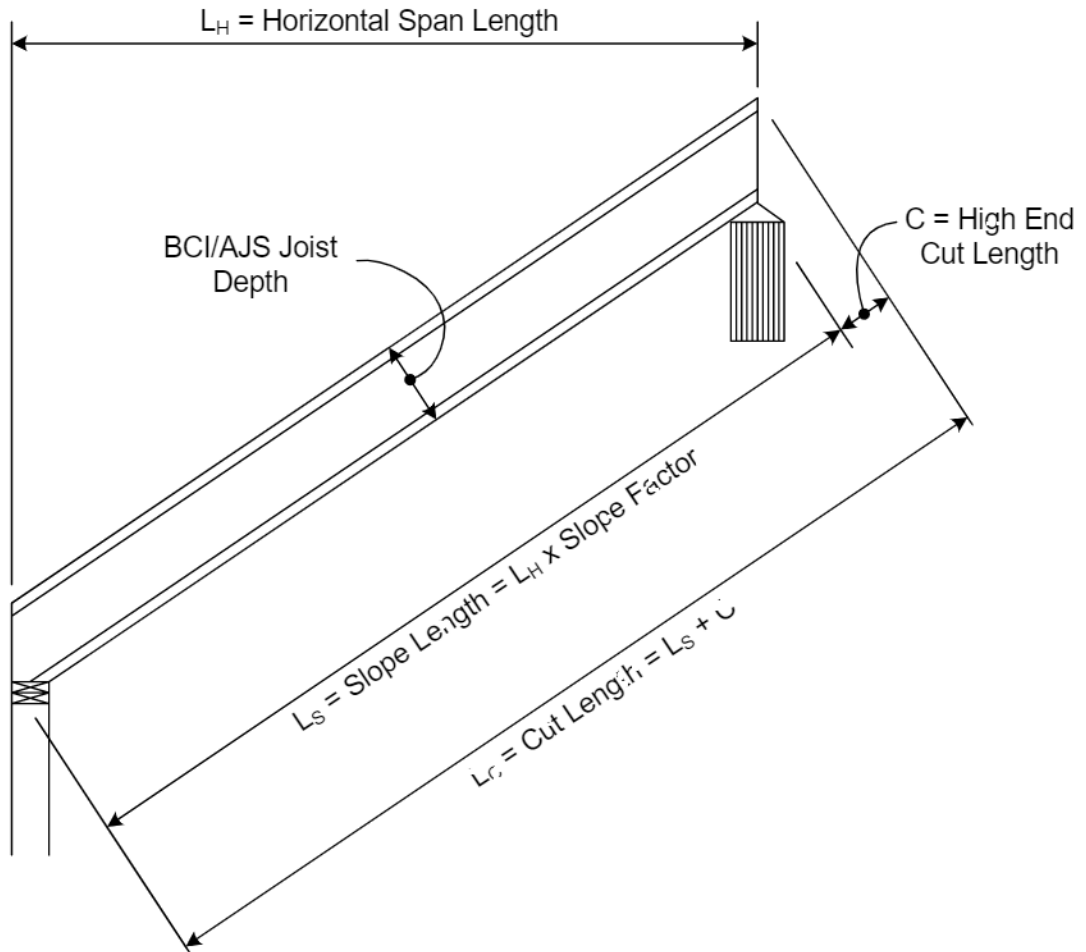




BCI[®]/AJS[®] Rafter Cut Length Calculation



Slope Factor Table

Slope	Factor
0.5/12	1.001
1/12	1.004
2/12	1.014
3/12	1.031
4/12	1.054
5/12	1.083
6/12	1.118
7/12	1.158
8/12	1.202
9/12	1.250
10/12	1.302
12/12	1.414

High End Cut Length

Slope	C (ft)					
	9 1/2"	11 7/8"	14"	16"	18"	20"
2/12	0.14	0.17	0.20	0.23	0.25	0.28
3/12	0.20	0.25	0.30	0.34	0.38	0.42
4/12	0.27	0.33	0.39	0.45	0.50	0.56
5/12	0.33	0.42	0.49	0.56	0.63	0.70
6/12	0.40	0.50	0.59	0.67	0.75	0.84
7/12	0.47	0.58	0.69	0.78	0.88	0.98
8/12	0.53	0.66	0.78	0.89	1.00	1.12
9/12	0.60	0.75	0.88	1.00	1.13	1.25
10/12	0.66	0.83	0.98	1.12	1.25	1.39
12/12	0.80	0.99	1.17	1.34	1.50	1.67

Note: All dimensions for slope and cut length calculations are in units of decimal feet.