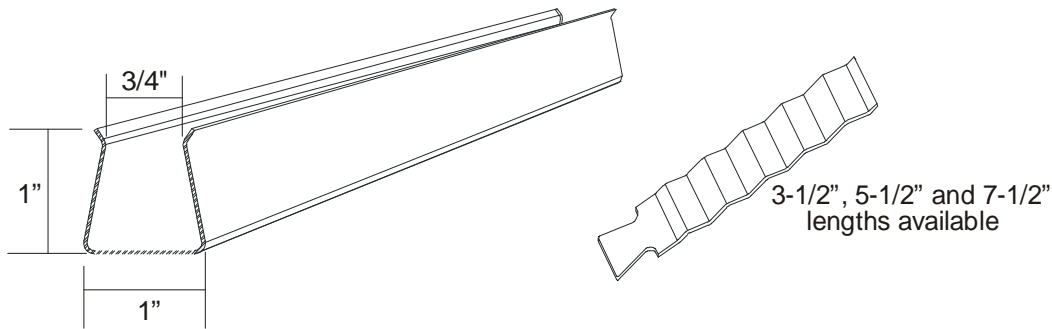


PRO-SLOT™ ANCHOR SLOT & DOVETAIL ANCHORS



General:

PRO-SLOT™ Anchor Slot is a stay-in-place concrete form used in forming a channel into the face of any poured wall or column. By installing Dovetail Anchors into the PRO-SLOT™, you can then anchor brick, block, or stone fascia to the poured surface.

Material:

BoMetals' galvanized PRO-SLOT™ anchor slot is manufactured of G60 hot dipped, mill galvanized steel in 26/28, 24, 22, 20 and 18 gauge. PRO-SLOT™ is offered standard in 10' lengths with custom lengths available on a special order basis. BoMetals' PRO-SLOT™ is standard with a polystyrene foam filler to keep the channel clear of concrete and resist closure due to hydraulic pressure. It is also available without a polystyrene foam. PRO-SLOT™ incorporates continuous nail grooves along the back edge of the profile to help in nailing the slot to the forms.

Dovetail Anchors are manufactured in 16 gauge hot dipped, galvanized steel and are furnished in 3 1/2" and 5 1/2" lengths with a 1" overall width.

Advantages:

- PRO-SLOT™ and Dovetail Anchor provide a permanent, fast, flexible and cost effective method of anchoring brick, stone and block veneer to poured concrete walls and columns. PRO-SLOT™ provides an excellent anchoring system for both cast in place and precast concrete. With a heavy galvanized coating to prevent corrosion, Dovetail Anchors have deep corrugations to increase pull out strength.
- PRO-SLOT™ and Dovetail Anchors are mill galvanized before fabrication and conform to ASTM A 924 (formerly ASTM A 525), ASTM A 653 CQ (formerly ASTM A 526) or ASTM A 653 LFQ (formerly ASTM A 524).

Installation Instructions:

- Nail BoMetals PRO-SLOT™ anchor slot to the inside of the form wall prior to erection. Install vertically spacing the channels 16", 18" or 24" on center. Use the nail grooves to speed up installation and space nails of 12" center.
- Dovetail Anchors should be spaced as indicated on drawings or called for in specifications or as recommended by local building codes. Typically anchors are spaced 12" to 16" vertically.