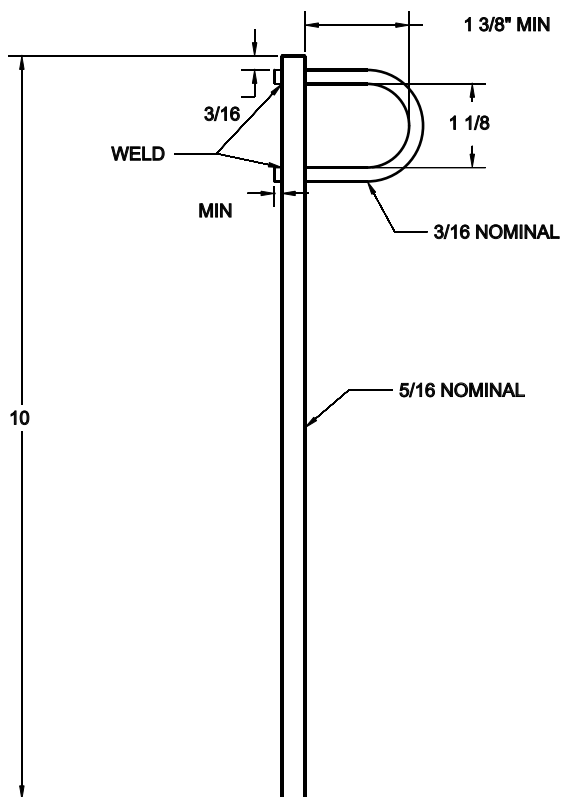


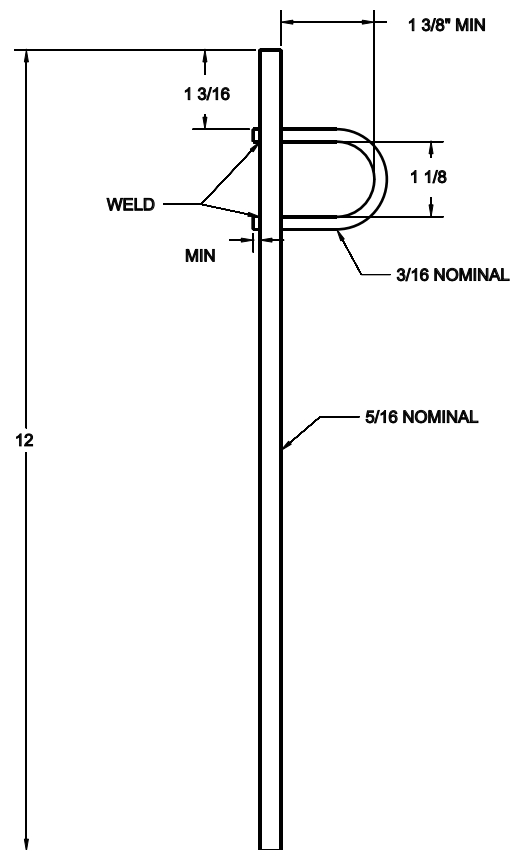


REBAR & DOWEL SUPPORT “P” Stakes

BPS-10



BPS-12



- Supports up to 1” Dowel Bar or Rebar in slabs
- 100 ea per box