



# WATERPROOFING

## MiraSTOP

### Description

CCW MiraSTOP Waterstop is a self-adhering, flexible, coiled strip of butyl rubber polymers and expandable bentonite clay waterproofing joint compound.

CCW MiraSTOP is designed for use in non-moving joints to create watertight concrete joints. CCW MiraSTOP is ideal for many types of cast-in-place and precast below-grade concrete applications, such as: construction joints in foundation slabs and below-grade walls, precast concrete wall panel systems, septic tanks, sanitary and storm sewer manholes, pipes, utility and burial vaults, wet walls, box culverts and portable water tanks.

CCW MiraSTOP prevents infiltration of below-grade moisture in non-moving joints. When water comes in contact with CCW MiraSTOP it swells to form a strong compression seal.

CCW MiraSTOP should be used in conjunction with CCW waterproofing membranes such as CCW MiraDRI® 860/861 and CCW MiraCLAY™.

MiraSTOP is ideal for a variety of applications:

- Vertical and horizontal concrete 8" (200 mm) thick or greater
- Shotcrete foundation walls
- High hydrostatic pressures
- Tie-back plates and penetrations

### Features and Benefits

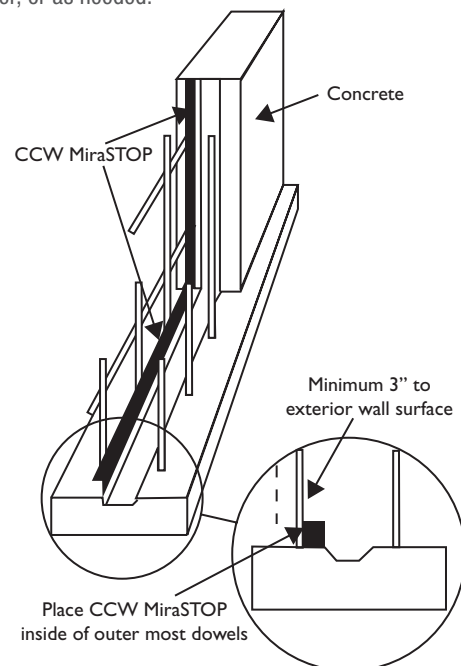
- Easy to install
- Applies in all dry weather conditions - flexible enough for virtually all season applications
- Non-toxic - needs no special handling
- Self-adhering

### Installation

Remove dust, dirt, loose particles or any other materials that might cause areas of poor adhesion of the CCW MiraSTOP. Apply CCW-702, CCW-702WB, CCW-AWP, CCW CAV-GRIP™ or TRAVEL-TACK™ 2" wide continuously along the joint. Allow the primer to dry prior to application of CCW MiraSTOP. (Drying time will be approximately 30 minutes. Dry primer will not transfer when touched.) Apply CCW MiraSTOP as soon as the primer dries. Remove one side of the release paper and firmly press CCW MiraSTOP into place over primed substrate. Press and butt ends of CCW MiraSTOP together to ensure no separation or air pockets. Place CCW MiraSTOP in maximum practical lengths. Square cut ends to fit splices together without overlaps.

Remove the remaining release paper from CCW MiraSTOP immediately prior to the second pour of concrete.

If mechanically fastening of CCW MiraSTOP is necessary, install appropriate fasteners starting 1" from the end of the coil and proceeding 12" on-center, or as needed.



# WATERPROOFING

## MiraSTOP

### Limitations

- Do not allow premature hydration of CCW MiraSTOP.
- CCW MiraSTOP must have a minimum of 3" of concrete overburden.

### Packaging

CCW MiraSTOP = 1" x ¾" x 16'-8" coil,  
6 rolls per box, 53 lbs.

### Typical Properties

Property	Method	Typical Value
Specific gravity	ASTM D71	1.60
Hardness	ASTM D127	75 dmm
Solids Content	ASTM C681	100%
Unrestricted	-	300%
Shelf Life	-	2 years minimum
Storage Temperature	-	-10°F to 90°F
Application Temperature	-	-10°F to 120°F
Service Temperature	-	-50°F to 190°F

All flow rates were tested at 3600 psf.

Drainage Performance Index is a function of ASTM D4833, D4632 and D1621.

<sup>1</sup> In plane flow rate @ gradient of 1.0

<sup>2</sup> Installed flow rate with soil overburden at vertical gradient of 1.0.

### Limited Warranty

Carlisle Coatings & Waterproofing Incorporated (Carlisle) warrants this product to be free of defects in workmanship and materials only at the time of shipment from our factory. If any Carlisle materials prove to contain manufacturing defects that substantially affect their performance, Carlisle will, at its option, replace the materials or refund its purchase price. This limited warranty is the only warranty extended by Carlisle with respect to its materials. There are no other warranties, including the implied warranties of merchantability and fitness for a particular purpose. Carlisle specifically disclaims liability for any incidental, consequential, or other damages, including but not limited to, loss of profits or damages to a structure or its contents, arising under any theory of law whatsoever. The dollar value of Carlisle's liability and buyer's remedy under this limited warranty shall not exceed the purchase price of the Carlisle material in question.