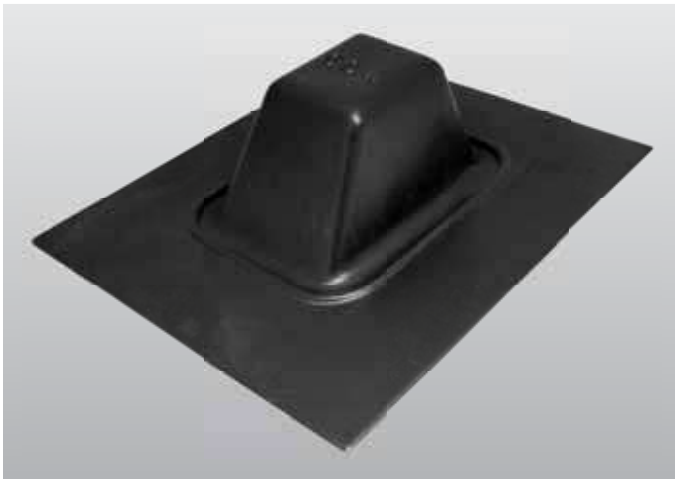




# WATERPROOFING

## CCW Tie-Back Cover



### Description

CCW Tie-Back cover is a pre-formed, high-impact resistant, heavy-duty thermoplastic cover designed to protect the waterproofing membrane integrity at soil retention tie-back systems. The CCW Tie-Back cover is an integral part of both the CCW MiraPLY and CCW MiraCLAY waterproofing systems.

CCW Tie-Back Covers are designed to provide a pre-formed tie-back cover shaped to cover most tie-back conditions and can withstand both concrete and shotcrete placement.

### Features and Benefits

- Fast and simple, one-step installation
- Built-in peel-and-stick technology provides aggressive bond to the waterproofing membrane
- Heavy-duty, high-impact composite resists construction traffic and concrete placement
- Impervious to freeze/thaw cycles or adverse weather conditions

### Installation

**CCW MiraPLY:** Ensure the CCW Tie-Back Cover fits over the tie-back plate and cables. Install CCW MiraDRAIN and CCW MiraPLY-V securely

to lagging and tight around tie-back providing a flat surface for the CCW Tie-Back Cover Installation. Peel off enough of the CCW MiraPLY-V release liner around the tie-back to install CCW Tie-Back Cover. Center CCW Tie-Back Cover over the tie-back head making sure that the CCW MiraPLY-V extends a minimum of 3" (76.19 mm) under the CCW Tie-Back Cover.

Install the CCW Tie-Back Cover centered over the Soil Retention Tie-Back. CCW Tie-Back Cover should be mechanically fastened directly to the lagging wall with minimum 1" (25.4 mm) washer head type fasteners on the outside edge of the flat flange. **DO NOT ATTEMPT TO REMOVE CCW TIE-BACK ONCE INSTALLED IN PLACE**, as this will cause damage to the CCW MiraPLY-V. Install a minimum 6" (150 mm) strip of CCW Detail Tape or CCW Sure-Seal P/S Elasto-Form Flashing centered over the flat flange of the CCW Tie-Back Cover. CCW Sure-Seal P/S Elasto-Form Flashing will require either CCW Sure-Seal HP 250 Primer or Sure-Seal Low VOC Primer. **NOTE:** Sure Seal HP 250 Primer or Sure-Seal Low VOC Primer must be applied to all flanges and laps if utilizing CCW Sure-Seal P/S Elasto-Form Flashing.

**CCW MiraCLAY:** Ensure the CCW Tie-Back Cover fits over the tie-back plate. CCW Tie-Back Cover should fit entirely over the tie-back plate and cables.

For Hydrostatic conditions, prior to CCW Tie-Back cover installation, all voids in the soil retention system should be completely filled with MiraCLAY Mastic, non-shrink grout, or spray foam. CCW Tie-Back Cover should be mechanically fastened directly to the lagging wall.

For Non-hydrostatic conditions, the CCW Tie-Back Cover can be mechanically fastened directly to CCW MiraDRAIN, which should already be applied over the soil retention system. Mechanically fasten the CCW Tie-Back cover to the wood lagging or soil retention system.

If CCW MiraDRAIN is not being utilized, soldier piles should be pre-stripped with CCW MiraCLAY prior to installation of CCW Tie-Back Cover.

CCW Tie-Back cover should be mechanically secured in place with a minimum 1" washer head type fastener on the outside edge of the flat flange. Apply a minimum 3" (76.19 mm) wide strip of CCW MiraCLAY Sealant around the exposed edge of the CCW Tie-Back Cover. Then install a minimum 4 ft. x 4 ft. (1.2 m x 1.2 m) target patch of CCW MiraCLAY centered over the tie-back cover with a tight, pre-cut hole around the raised collar. The pre-cut hole should rest flush over the

# WATERPROOFING

## CCW Tie-Back Cover

flat flange and be mechanically fastened through the flat flange. DO NOT install mechanical fasteners through the raised collar of the CCW Tie-Back Cover. The outside edges of the CCW MiraCLAY target patch should be fastened to the soil retention system. The target patch of CCW MiraCLAY should be secured with minimum 1" (25.4 mm) washer head type fasteners. Typical spacing should be approximately 6" (150 mm). Then apply a termination bead of CCW MiraCLAY Sealant around the exposed edges of the target patch of CCW MiraCLAY to CCW Tie-Back Cover. Lap CCW MiraCLAY field membrane over the outer edges of the CCW MiraCLAY target patch per CCW MiraCLAY Installation Lap Instructions.

### Packaging

Sold Individually

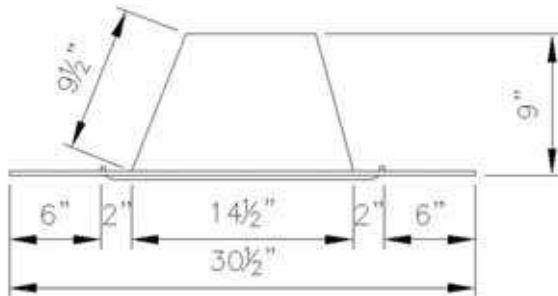
P/N 323553

### Typical Properties

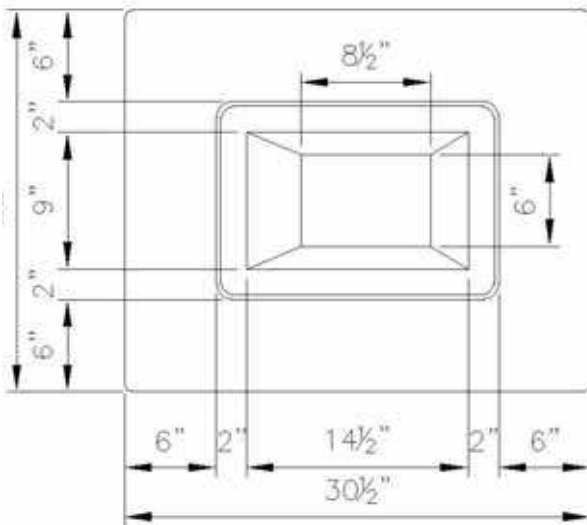
Property	Method	Results
Compression	ASTM D695	7,300 lbs/sq ft
Flexural Strength	ASTM D790	7,900 lbs/sq ft
Flexural Modulus	ASTM D790	290,000 lbs/sq ft

### Limited Warranty

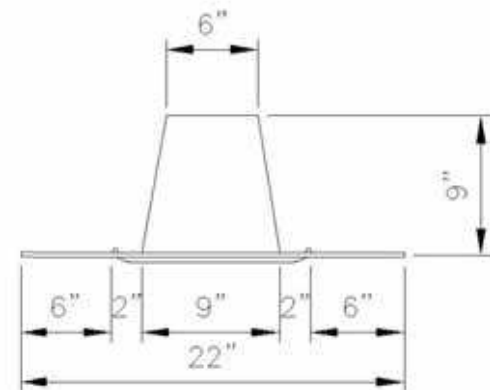
Carlisle Coatings & Waterproofing Incorporated (Carlisle) warrants this product to be free of defects in workmanship and materials only at the time of shipment from our factory. If any Carlisle materials prove to contain manufacturing defects that substantially affect their performance, Carlisle will, at its option, replace the materials or refund its purchase price. This limited warranty is the only warranty extended by Carlisle with respect to its materials. There are no other warranties, including the implied warranties of merchantability and fitness for a particular purpose. Carlisle specifically disclaims liability for any incidental, consequential, or other damages, including but not limited to, loss of profits or damages to a structure or its contents, arising under any theory of law whatsoever. The dollar value of Carlisle's liability and buyer's remedy under this limited warranty shall not exceed the purchase price of the Carlisle material in question.



FRONT VIEW



TOP VIEW



SIDE VIEW