

RODENHOUSE INC



974 Front NW #100
Grand Rapids, MI
(T) 616-454-3100
(F) 616-454-0404
www.rodenthouse-inc.com

Fasteners approved for use with:

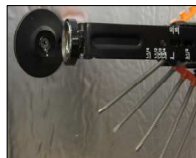


High performance fastening systems for Continuous Insulation (ci):

Thermal-Grip® ci washers



Grip-Deck® ci screws



Plasti-Grip® PMF fastener



EZ-Driver chuck adaptor



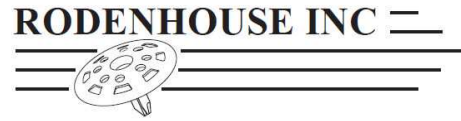
Grip-Lok® auto-feed fastening system with “Bullseye” adaptor



Thermal-Grip® brick-tie washer (for masonry veneer cavity walls)

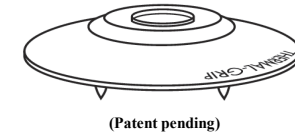


Demo videos at: www.rodenthouse-inc.com



Call 616-454-3100 or visit:
www.rodenhouse-inc.com

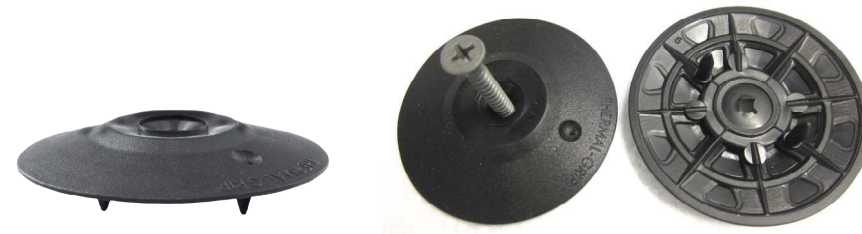
2" diameter Thermal-Grip® ci washer for attaching continuous insulation to steel or wood substrates



(Patent pending)

- Industry leading washer fastener for attaching continuous insulation
- Universally tested, recommended, approved by all major ci manufacturers
- Solid cap design (no keyholes) to help seal against air/moisture
- Saves time and money vs. competitive fasteners
- Prongs for pre-spotting into insulation (labor saving)
- Large 2" dia. design (increased holding power)
- Flexible design (prevents tearing of ci facer)
- Choke hole design (for quick field assembly)
- Also available without pre-spotting prongs
- UV-stabilizers (required for ci UV exposure warranty)

TESTED! **RECOMMENDED!** **APPROVED!**



Pre-spot prongs into surface of insulation for easy screw assembly.



Drive screw until secure. Washer flattens on surface of insulation.

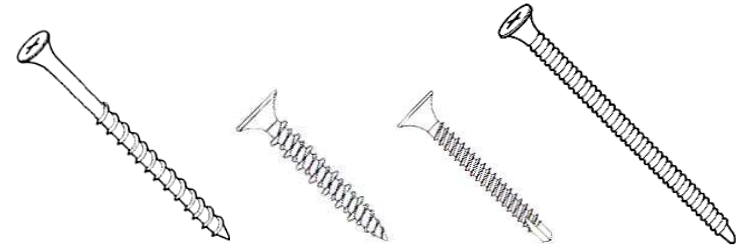


Grip-Deck® ci screws

For use with Thermal-Grip® ci washers

- Universally tested, accepted, approved by all major ci manufacturers
- Available in multiple lengths for every ci thickness
- Ceramic coating available for premium corrosion protection
- Hardened drill tips quickly penetrate heavy gauge steel studs
- Bugle head design "mates" with Thermal-Grip® ci washer recess for improved sealing of the screw penetration
- Easily applied in bulk with EZ-Driver chuck adaptor
- Rapid attachment with Grip-Lok® auto-feed "Bullseye" fastening systems (available in collated lengths up to 3")

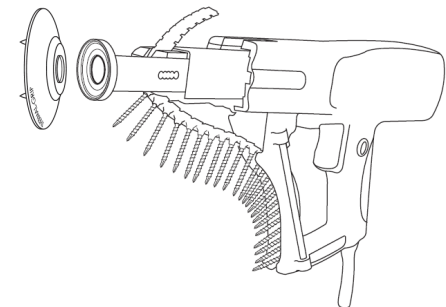
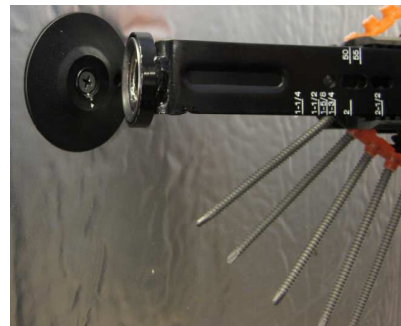
TESTED! **RECOMMENDED!** **APPROVED!**



Available in bulk for EZ-Driver adaptor



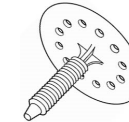
Available collated for Grip-Lok® auto-feed "Bullseye" system





Plasti-Grip® PMF (Plastic Masonry Fastener)

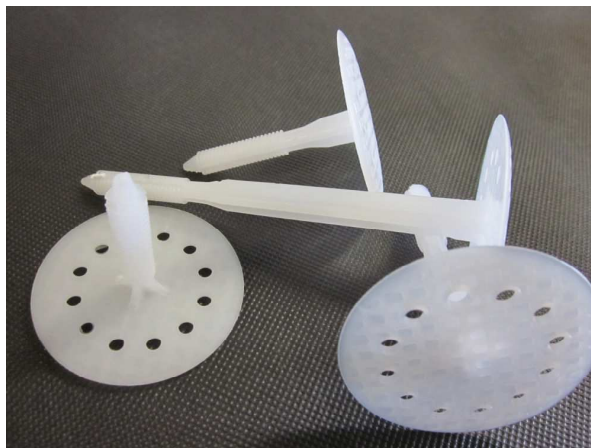
For attaching insulation to concrete, block, & masonry substrates



- Solid plastic design eliminates thermal-bridging & corrosion, unlike screw/pin alternatives
- Large 2-3/8" diameter head secures insulation and prevents wind blow-off
- Material cost savings (30-60%) compared to concrete screw/washers & "shot-in" fasteners
- Labor cost savings (33%) compared to attaching with masonry screws/washers
- Fasteners can be installed in adverse weather conditions (unlike adhesives)
- Multiple lengths available for insulation 1/2" - 5" in thickness

Available Lengths:

<i>Available Lengths:</i>	<i>Pieces / carton</i>	<i>Part #</i>
2" PMF for insulation thickness of 1/2" - 3/4"	250 pcs./carton	PMF 2"/250
2 3/4" PMF for insulation thickness of 1" - 1 1/2"	250 pcs./carton	PMF 2 3/4"/250
3 1/2" PMF for insulation thickness of 1 1/2" - 2"	250 pcs./carton	PMF 3 1/2"/250
4 1/2" PMF for insulation thickness of 2 1/2" - 3"	250 pcs./carton	PMF 4 1/2"/250
5 3/8" PMF for insulation thickness of 3 1/2" - 4"	200 pcs./carton	PMF 5-3/8"/200
6 1/4" PMF for insulation thickness of 4 1/2"-5"	200 pcs./carton	PMF 6-1/4"/200



ENERGY & COST EFFICIENT FASTENING SOLUTION!



1. Drill through insulation and into substrate with 5/16" masonry bit



2. Insert Plasti-Grip® PMF into drilled hole



3. Tap with hammer until head is flush with insulation surface

EZ-Driver chuck adaptor

for use with Grip-Deck® screws and Thermal-Grip® ci washers



Fits ANY drill gun chuck!



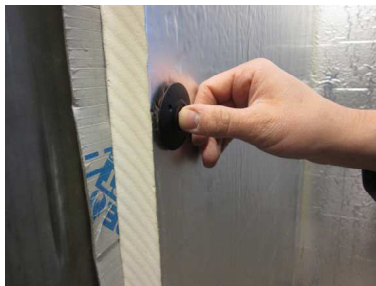
Holds screw straight!



Reduces labor, especially when attaching ci to steel!



Depth control – no overdrive!



1. Pre-spot Thermal-Grip® ci prong washers on insulation surface



2. Insert Grip-Deck® screw (sds or coarse) into EZ-Driver



3. EZ-Driver holds screw straight for rapid drilling of steel or wood



4. EZ-Driver releases fastener at preset depth preventing overdrive



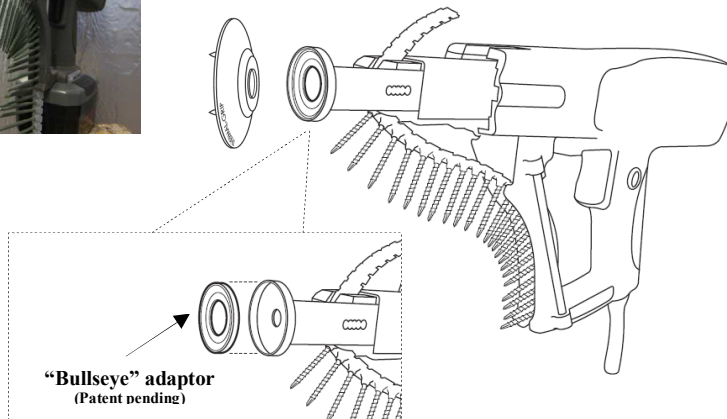
Grip-Lok® auto-feed “Bullseye” system

For use with Thermal-Grip® ci prong washers

- For RAPID attachment of insulation to steel or wood studs
- **3x faster** than traditional pre-assembled washers/screws
- Manufacturer **tested, recommended, and approved**
- Adjustable depth control **prevents overdrive** of ci washer
- Consistent results - ci washer **flattens** on surface
- Available with collated screws up to 3” in length
- Patented Grip-Lok® nose-cup with “Bullseye” adaptor (patent pending)



Grip-Lok® auto-feed system
(Patented)



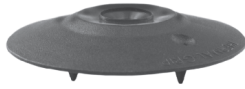
1. Pre-spot Thermal-Grip® ci washers on insulation surface



2. Grip-Lok® w/ “Bullseye” adaptor auto-centers over the ci washer



3. Drill gun screws to pre-determined depth preventing overdrive



Thermal-Grip® brick-tie washer

For masonry veneer cavity wall applications



- Reduces penetrations of ci therefore reducing thermal bridging and potential for leaks
- Saves time and money by reducing the number of screws/washers required for attachment
- Washer is designed to seal the penetration against moisture and air infiltration
- Large 2” diameter washer for exceptional wind-loading resistance
- Flexible plastic design flattens and compresses on surface of ci.
- Compatible with industry leading Pos-I-Tie® and other “single barrel” brick-ties



Pre-spot washer on insulation.



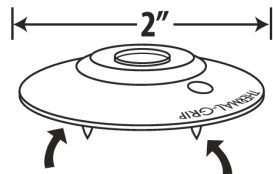
Insert brick-tie into chuck.



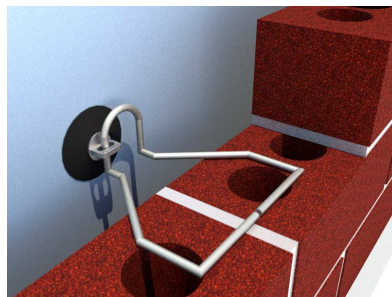
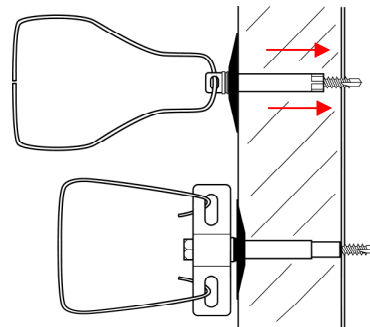
Fasten brick-tie securely.



Attach wire-tie for masonry veneer.



PRONGS PRE-SET INTO FOAM



ENERGY & COST EFFICIENT FASTENING SOLUTION!



Thermal-Clip can be added for added thermal-break (from Heckmann).

