

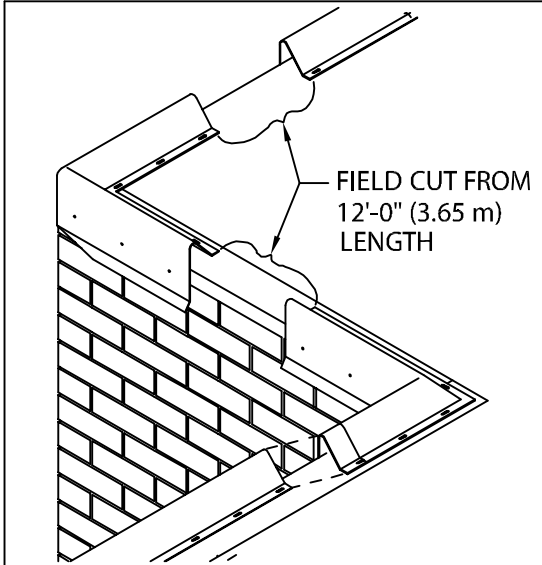
SECUREEDGE SYSTEM 200 FASCIA

SNAP-ON VERSION

INSTALLATION INSTRUCTIONS

FOR RADIUS INSTALLATION INSTRUCTIONS SEE PAGE 6

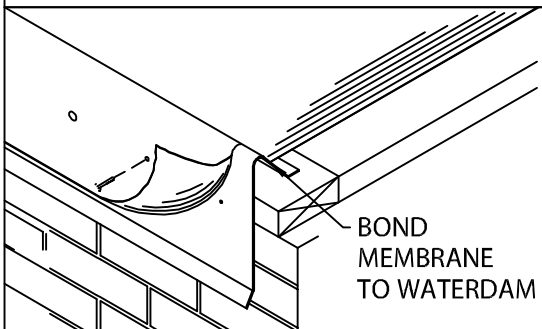
THESE INSTRUCTIONS ARE FOR ADHERED AND BALLASTED SYSTEMS. FOR SURE-WELD, SURE SEAL AND MECHANICALLY FASTENED SYSTEMS, REFER TO CARLISLE'S DETAIL MANUAL.



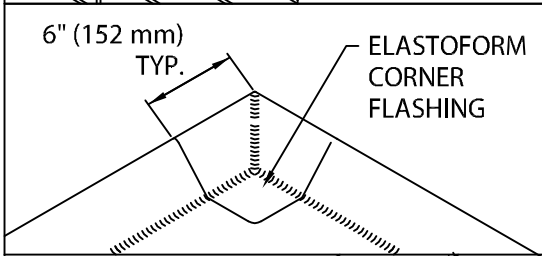
1. LOCATE AND INSTALL MITERS, NAILING THROUGH PRE-SLOTTED FASTENING HOLES ON TOP FLANGE ONLY. DETERMINE AND IDENTIFY LOCATION OF SCUPPERS. DO NOT INSTALL SCUPPERS AT THIS TIME. LEAVE GAP OF 14 1/2" (368 mm) FOR SCUPPER LOCATIONS. THEN INSTALL THE 12'-0" (3.65 m) SECTIONS OF WATER DAM FROM RIGHT TO LEFT (AS SEEN FROM ROOF TOP) BY NAILING THROUGH SLOTTED HOLES PROVIDED PER JOB REQUIREMENTS. FIELD CUT SECTIONS AS NECESSARY. LAP WATER DAM JOINTS 1" (25 mm).

NOTE: DO NOT ATTACH FACE OF WATERDAM AT THIS TIME.

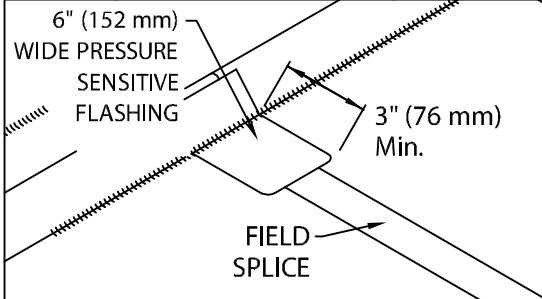
CAUTION: INSTALLERS SHALL WEAR PROTECTIVE EYEWEAR TO PREVENT SERIOUS INJURY.



2. POSITION ROOF MEMBRANE OVER AND DOWN WATERDAM FACE APPROXIMATELY 1" (25 mm) BELOW EXTRUDED FASTENING HOLES TAKING CARE TO AVOID BRIDGING OF ROOF MEMBRANE. THE ROOF MEMBRANE MUST BE BONDED TO THE WATERDAM USING 90-8-30A BONDING ADHESIVE. ATTACH MEMBRANE 12" (305 mm) O.C. THROUGH EXTRUDED HOLES ON OUTSIDE FACE USING 1 1/4" (32 mm) RING SHANK NAILS PROVIDED.



3. INSTALL ELASTOFORM FLASHING AT ALL INSIDE AND OUTSIDE CORNERS. REFER TO CARLISLE'S CURRENT SPECIFICATIONS MANUAL FOR SPECIFIC REQUIREMENTS OF CORNER FLASHING.

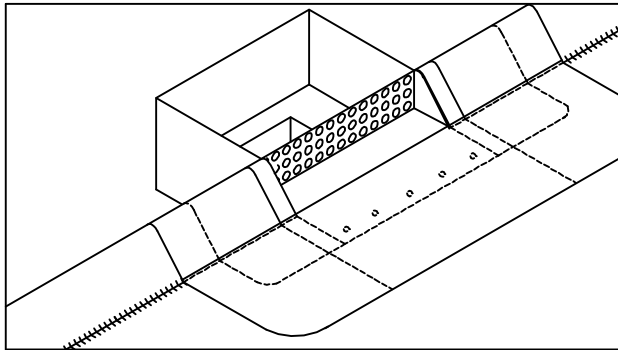


4. INSTALL A 6" (152 mm) WIDE PRESSURE SENSITIVE FLASHING OVER ALL FIELD SEAMS AS SHOWN. REFER TO CARLISLE'S CURRENT SPECIFICATIONS FOR SPLICING PROCEDURES.

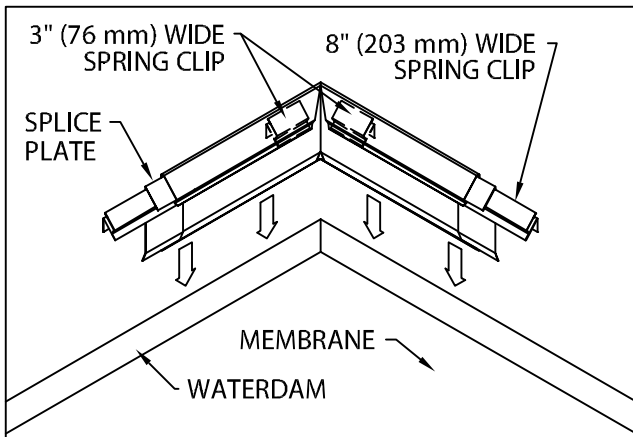
SECUREDGE SYSTEM 200 FASCIA

SNAP-ON VERSION

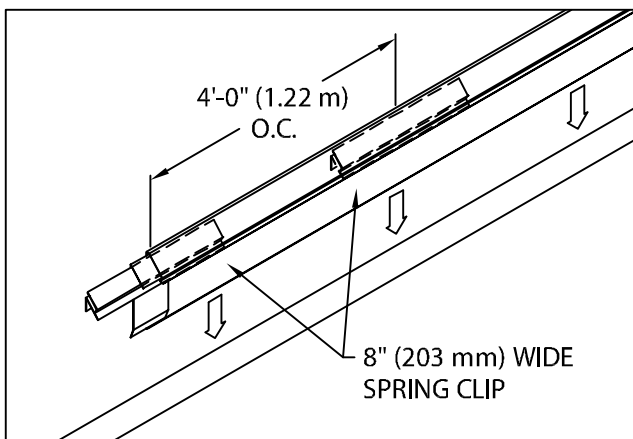
INSTALLATION INSTRUCTIONS



5. INSTALL SPILLOUT OR DOWNSPOUT SCUPPERS (IF APPLICABLE) AT PREDETERMINED LOCATIONS. (SEE PAGES 4 AND 5 FOR INSTALLATION INSTRUCTIONS).



6. INSTALL MITER COVERS FIRST. INSERT ONE SPLICE PLATE AND ONE 8" (203 mm) WIDE SPRING CLIP INTO EACH END OF MITER COVER, HALF EXPOSED (SEE NEXT PAGE FOR PROPER SPRING INSTALLATION). PLACE TWO 3" (76 mm) WIDE SPRING CLIPS INTO CORNERS OF MITER AS SHOWN. INSTALL MITER COVERS BY PUSHING DOWNWARD UNTIL COVER IS ENGAGED ALONG ENTIRE MITER.



7. INSTALL 12'-0" (3.65 m) FASCIA COVER SECTIONS. INSERT ONE SPLICE PLATE AND ONE 8" (203 mm) WIDE SPRING CLIP UNDER FAR END OF FASCIA COVER, HALF EXPOSED. PLACE 8" (203 mm) WIDE SPRING CLIPS INTO COVER AT 4'-0" (1.22 m) O.C. INSTALL COVER BY PUSHING DOWNWARD UNTIL FASCIA COVER IS ENGAGED TO WATERDAM ALONG ENTIRE LENGTH. CONTINUE TO INSTALL FASCIA COVERS, LEAVING A 3/8" (10 mm) SPACE BETWEEN COVERS. FIELD CUT WHERE NECESSARY USING FINE TOOTH HACKSAW.

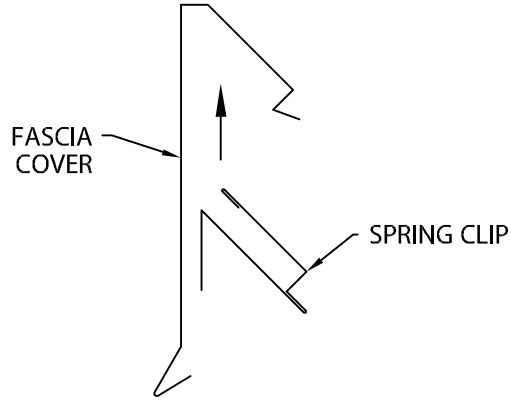
CAUTION: REMOVE PROTECTIVE FILM IMMEDIATELY AFTER INSTALLATION, WHERE APPLICABLE.

SECUREDGE SYSTEM 200 FASCIA

SNAP-ON VERSION

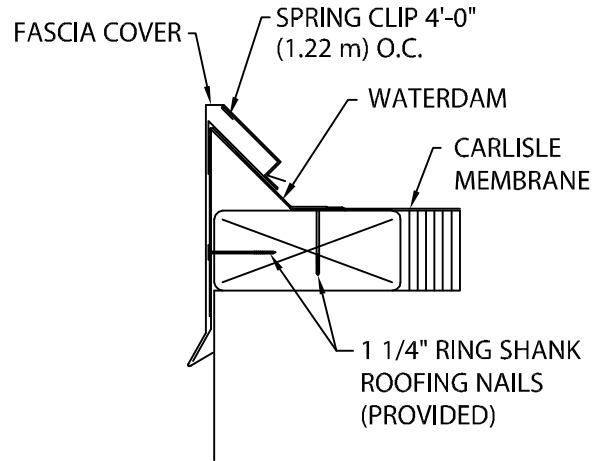
INSTALLATION INSTRUCTIONS

SPRING DETAIL



SIMPLY POSITION SPRING CLIP AS SHOWN AND PUSH STRAIGHT UP INTO COVER UNTIL SNAP LOCK OCCURS.

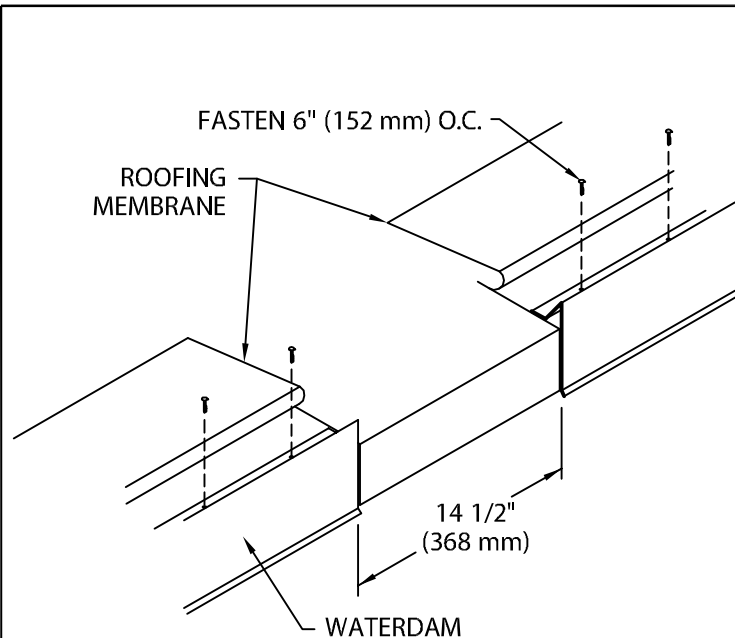
TYPICAL INSTALLATION



SECUREDGE SYSTEM 200 FASCIA

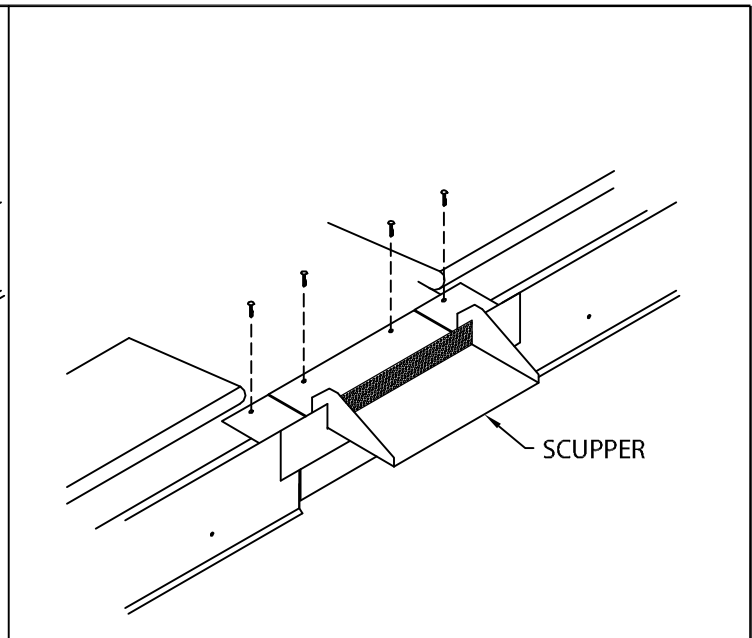
SNAP-ON VERSION

SCUPPER INSTALLATION INSTRUCTIONS



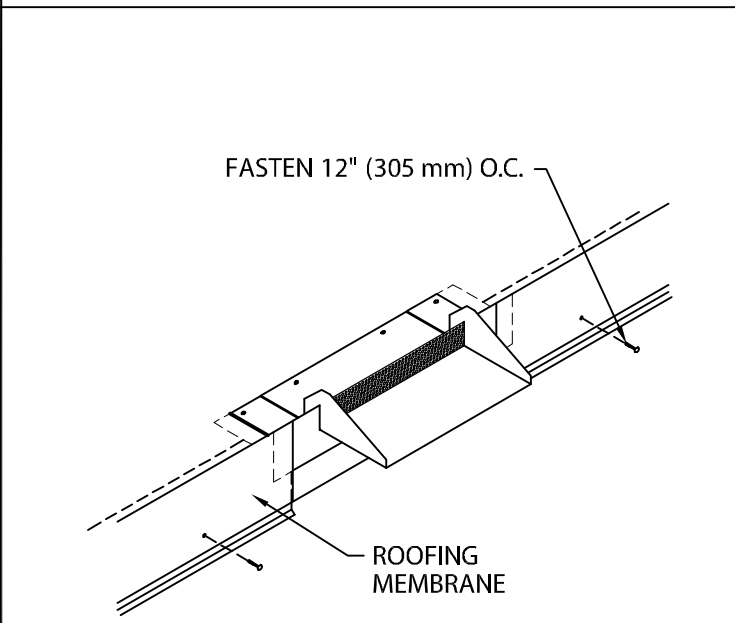
STEP 1 - WATERDAM / ROOFING MEMBRANE

DETERMINE LOCATION OF SCUPPER AND SPACE WATERDAM 14 1/2" (368 mm) APART. CUT BACK MEMBRANE IN THIS AREA AS SHOWN. FASTEN WATERDAM FLANGE 6" (152 mm) O.C. WITH PROVIDED 1 1/4" (32 mm) RING SHANK ROOFING NAILS.



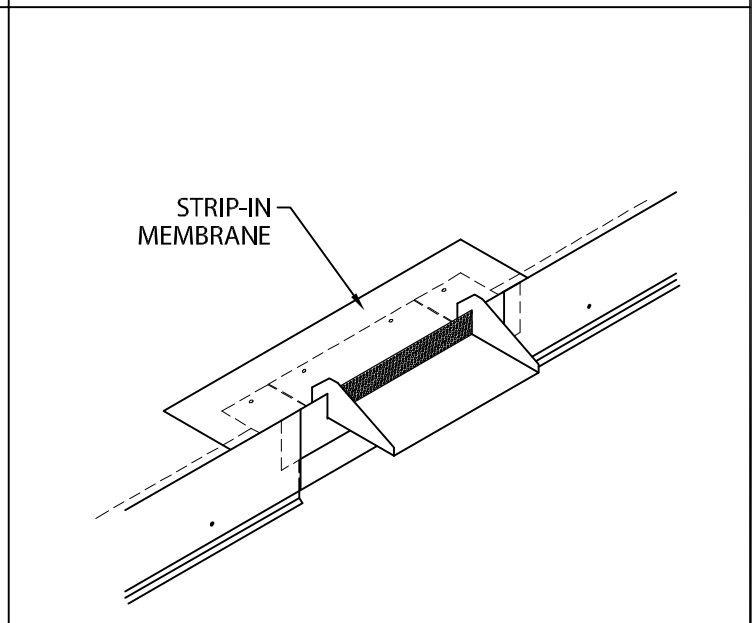
STEP 2- SCUPPER

INSTALL SCUPPER WITH PROVIDED 1 1/4" (32 mm) RING SHANK ROOFING NAILS. ROOF MEMBRANE IS INSTALLED UNDER SCUPPER. SET SCUPPER FLANGE IN A CONTINUOUS BEAD OF CARLISLE WATER CUT-OFF MASTIC.



STEP 3 - WATERDAM

POSITION ROOF MEMBRANE OVER AND DOWN WATERDAM FACE APPROXIMATELY 1" (25 mm) BELOW RAISED FASTENING HOLES. TAKE CARE TO AVOID BRIDGING OF MEMBRANE. LOCATE AND NAIL MEMBRANE AT 12" (305 mm) O.C. THROUGH ALL RAISED HOLES ON OUTSIDE FACE USING 1 1/4" (32 mm) RING SHANK ROOFING NAILS PROVIDED.



STEP 4 - STRIP-IN MEMBRANE STRIP-IN SCUPPER FLANGE.



Customer Service
866-458-3537
(Metal-Era)

DATE: 01/14/13
DRN BY: JJC
CKD BY: SAK

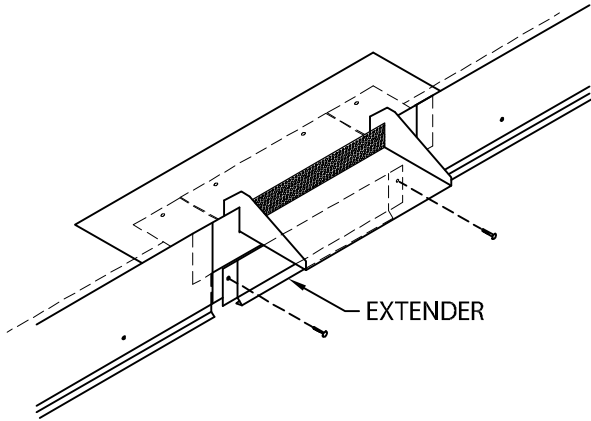
SHT.# 4 OF 7
DWG# 15110-11479

E

SECUREDGE SYSTEM 200 FASCIA

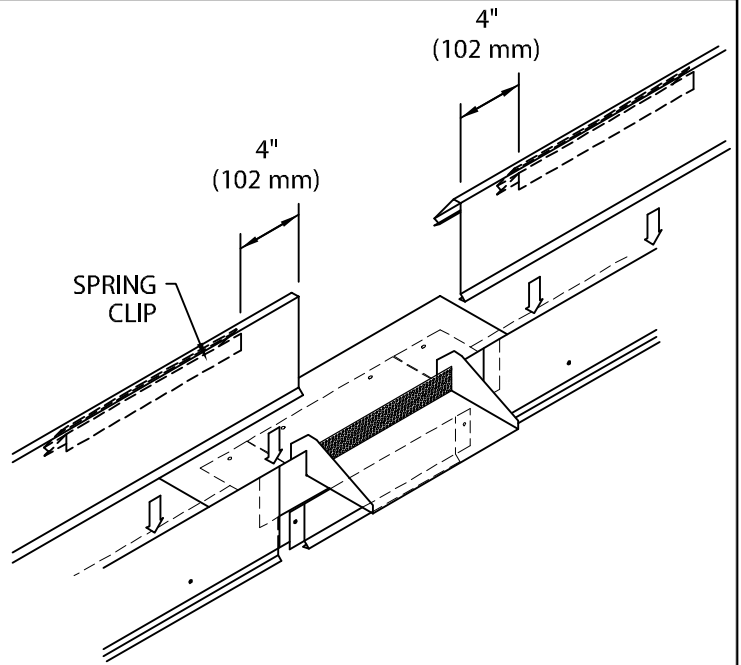
SNAP-ON VERSION

SCUPPER INSTALLATION INSTRUCTIONS



STEP 5- EXTENDER

CENTER EXTENDER BELOW SCUPPER AND FASTEN THROUGH PRE-SLOTTED HOLES WITH PROVIDED NAILS AS SHOWN.



STEP 6- SPRING CLIP / FASCIA COVER

PLACE SPRING CLIPS 4" (102 mm) FROM END OF FASCIA COVER. INSTALL COVER BY PUSHING DOWNWARD UNTIL FASCIA COVER IS ENGAGED TO WATERDAM. FASCIA COVER SHOULD FIT TIGHT AGAINST SIDES OF SCUPPER.

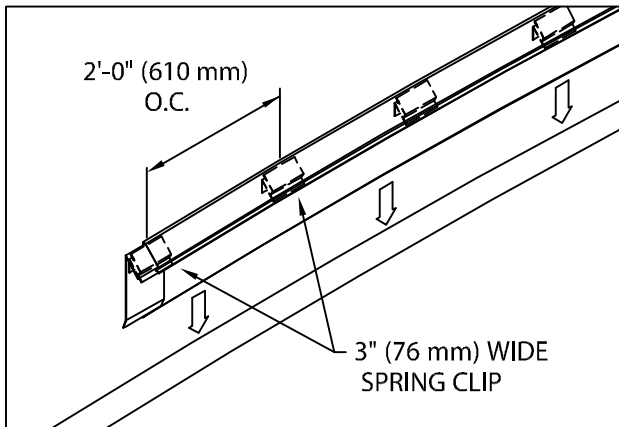
SECUREDGE SYSTEM 200 FASCIA

SNAP-ON VERSION

RADIUS INSTALLATION INSTRUCTIONS

RADIUS INSTALLATION INSTRUCTIONS

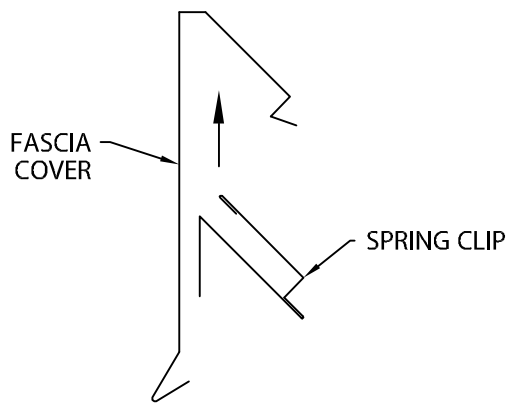
1. FOLLOW DIRECTIONS ON PAGE 1 FOR INSTALLING WATERDAM AND ROOF MEMBRANE.



2. INSTALL 12'-0" (3.65 m) FASCIA COVER SECTIONS. INSERT ONE SPLICE PLATE AND ONE 3" (76 mm) WIDE SPRING CLIP UNDER FAR END OF FASCIA COVER, HALF EXPOSED. PLACE 3" (76 mm) WIDE SPRING CLIPS INTO COVER AT 2'-0" (610 mm) O.C. INSTALL COVER BY PUSHING DOWNWARD UNTIL FASCIA COVER IS ENGAGED TO WATERDAM ALONG ENTIRE LENGTH. CONTINUE TO INSTALL FASCIA COVERS, LEAVING A 3/8" (10 mm) SPACE BETWEEN COVERS. FIELD CUT WHERE NECESSARY USING FINE TOOTH HACKSAW.

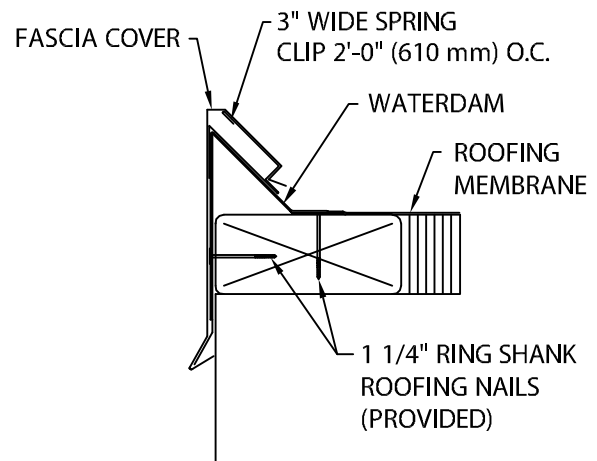
CAUTION: REMOVE PROTECTIVE FILM IMMEDIATELY AFTER INSTALLATION, WHERE APPLICABLE.

SPRING DETAIL



SIMPLY POSITION SPRING CLIP AS SHOWN AND PUSH STRAIGHT UP INTO COVER UNTIL SNAP LOCK OCCURS.

TYPICAL RADIUS INSTALLATION

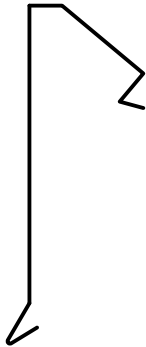


SECUREDGE SYSTEM 200 FASCIA

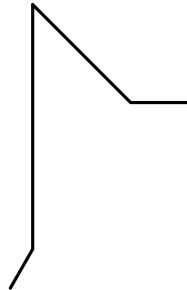
SNAP-ON VERSION

INSTALLATION INSTRUCTIONS

COMPONENT LIST



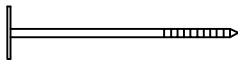
FASCIA COVER
12'-0" (3.65 m) LENGTHS



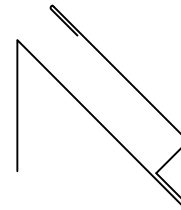
WATERDAM
12'-0" (3.65 m) LENGTHS



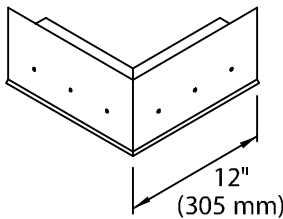
SPLICE PLATE
3 1/2" (89 mm) WIDE



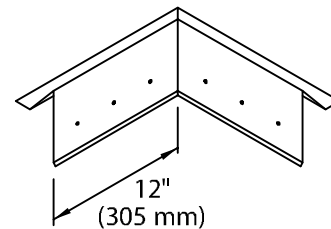
1 1/4" (32 mm) RING SHANK
ROOFING NAIL



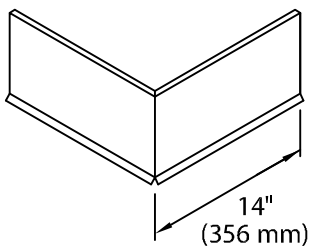
SPRING CLIP
8" (203 mm) WIDE OR
3" (76 mm) WIDE (RADIUS AND MITERS ONLY)



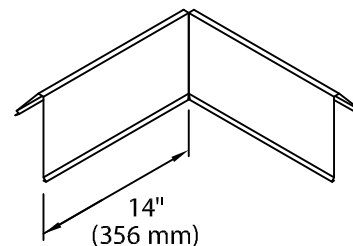
WATERDAM
OUTSIDE MITER



WATERDAM
INSIDE MITER



FASCIA COVER
OUTSIDE MITER



FASCIA COVER
INSIDE MITER