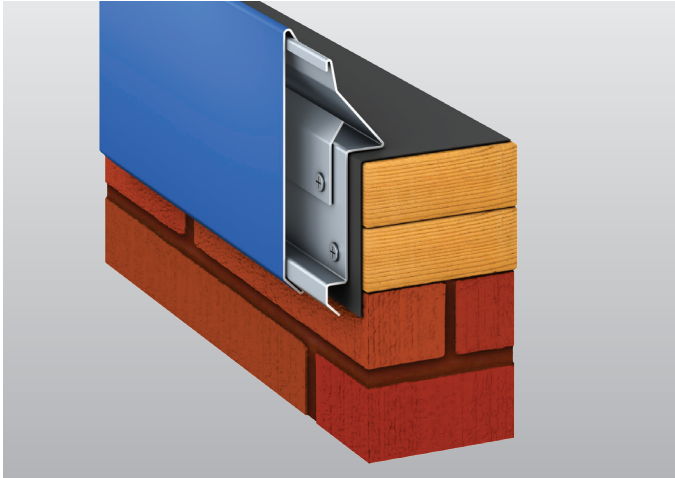


# SecurEdge™ 400 Spring-Tite Gravel Stop



## Overview

Carlisle's SecurEdge 400 Spring-Tite Gravel Stop system for single-ply roofs is a three-piece assembly that includes a continuous cleat and a decorative snap-on Gravel Stop cover. Available in .040" (1.00 mm) formed aluminum as well as 24-gauge Kynar 500®-coated Galvalume steel, the 22-gauge (G90) continuous cleat features pre-punched slotted holes for fasteners at 12" (304.8 mm) on center. SecurEdge 400 Spring-Tite Gravel Stop is available in 10' (3048 mm) standard lengths; concealed splice plates and fasteners are included with purchase.

## Features and Benefits

- » Terminates roof membrane to parapet walls
- » Allows for the use of high-torque screws without penetrating the top surface of the membrane
- » Pre-punched continuous cleat
- » ANSI-SPRI ES-1 Tested
- » Mill finish aluminum and clear anodized finishes are available

## Installation

For complete installation instructions, refer to Carlisle specifications and details or visit [www.carlisesyntec.com](http://www.carlisesyntec.com).

## Quality Assurance

Gravel Stop is tested per ANSI/SPRI Test Method RE-2 for Fascia. Gravel Stop is certified by Carlisle to design pressures as indicated in current edition of SPRI's Wind Resistance Standard for Edge Systems Used with Low-Slope Roofing Systems. This product meets the International Building Code minimum requirement.

## Technical Services

Engineering and shop drawings, as well as long-form specifications and CAD details, are available from Carlisle. Product samples, detail sheets, color chips, and color charts are also available for submittal packages. For assistance with questions or submittals, contact Carlisle or your local manufacturer's representative.

## Specifications

Material	Face	Sustained Pressures
24-gauge	up to 6"	-200 psf (*)
0.040 Aluminum	up to 6"	-210 psf (*)

\* Design Engineer must apply the Factor of Safety.

ADDITIONAL GAUGES - .050 and .063 aluminum and 22-gauge Galvalume are available upon request.