

# SUNWELD®

PRISMATIC SKYLIGHT



## Overview

The SunWeld Prismatic Skylight offers maximum diffused light which results in increased energy savings and value. The uniquely designed tri-arch dome shape is manufactured from two layers of high impact acrylic sheet with a K 12 prism pattern, to maximize diffused Visible Light Transmission (VLT) and insure superior mechanical and thermal properties. The domes are sealed in a weather tight frame made from architectural grade 6063-T6 aluminum.

## Features and Benefits

- » AAMA compliant polyurethane true thermal break prevents condensation and thermal loss
- » Heliarc welded 0.075"-thick architectural grade 6063-T6 aluminum retainer frame with integral condensation gutter
- » Meets OSHA CRF fall protection regulations
- » Meets IECC 2015 for all climate zones with lighting controls
- » Available in various sizes to fit any building or curb
- » Unique Tri-Arch dome design has a gentle profile to avoid radical contouring and resulting shadowing effects at low sun time periods. Also available in pyramid and double hip shape.
- » Available in curb mount version to fit existing or field fabricated curbs and self-flashing version with integral curbs.

## Installation

- » For field fabricated curbs or existing curbs, install provided fasteners through pre-slotted holes on skylight frame.
- » Flash field fabricated and factory curbs into a roof system using preformed TPO and PVC curb flashing or EPDM Fully Pressure Sensitive curb flashing.

## Options

- » Curb Mounted (CM) or Self-Flashing (SF)
- » White prismatic acrylic (WPM) or Clear prismatic acrylic (CPM)
- » Single dome (1) or Double dome (2)
- » Frame Finish: Mill (MF), Bronze Anodized (BA), Clear Anodized (CA), or White (WP)
- » Security Grill (SG), Safety Screen (SSCRN), External Safety Cage (SCAGE)

Example of Model Number: 4896-ALIT-CM-2-CPM/WPM-MF

## Precautions

Although the SunWeld Prismatic Skylights are OSHA compliant, having passed mandated drop testing, skylights are not intended to support people. During the installation process, roof openings need to be guarded per OSHA regulations. OSHA-compliant safety screens and burglar bars are available.

## Standard Sizes

| Model Number               | Inside Curb Dimension      |
|----------------------------|----------------------------|
| 4848-ALIT                  | 48" x 48"                  |
| 4896-ALIT                  | 48" x 96"                  |
| 6072-ALIT                  | 60" x 72"                  |
| Custom sizes are available | Dimensions from 14 ¼"–120" |

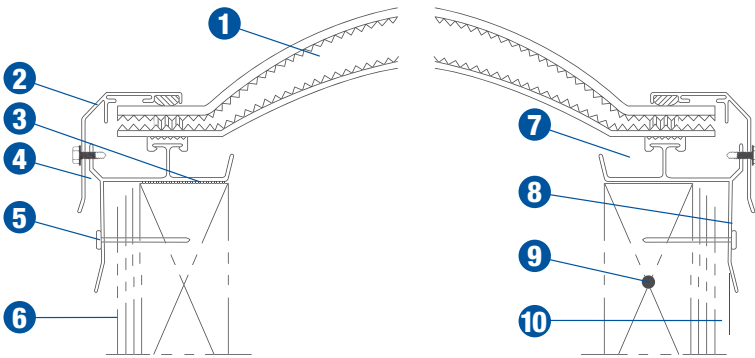
## Specification Table

|                                    |   |
|------------------------------------|---|
| Solar Heat Gain Coefficient (SHGC) | .47   |
| U-Factor                           | .73   |
| Visible Light Transmission (VLT)   | 70%   |
| OSHA CFR regulation compliant      | YES   |
| NFRC Certified                     | YES   |
| AAMA Compliance:                   | WDMA/CSA 101/I.S.2/A440-08 & WDMA/CSA 101/I.S.2/A440-05 |

Based on typical CPM/WPM double glazed unit

# SUNWELD

PRISMATIC SKYLIGHT



- 1** Impact-modified prismatic acrylic outer and inner domes
- 2** Aluminum perimeter cap
- 3** Sealant (by others)
- 4** Condensate weep holes
- 5** Fasteners (by others)

- 6** Roofing (by others)
- 7** Condensate provision
- 8** Aluminum curb frame
- 9** 1 1/2"-wide wood curb (by others)
- 10** 5/8" flashing clearance