



Expanding Your Solutions

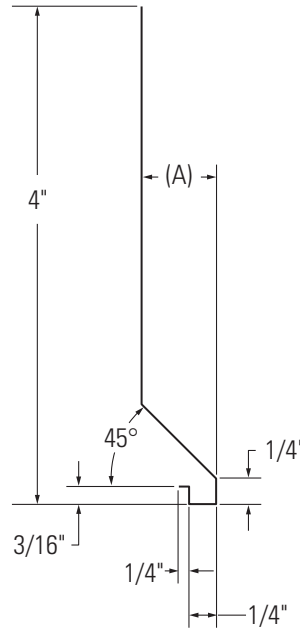
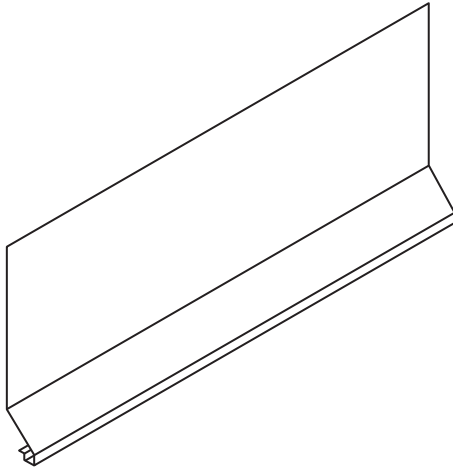
Corporate Headquarters
 13191 Crossroads Pkwy N., Ste 325
 City of Industry, CA 91746
 Phone: 800.775.2362
 Fax: 626.330.7598

Manufacturing Facilities
 City of Industry, CA
 Denver, CO
 Ft. Worth, TX
 Pittsburg, CA

Structural Engineering/Design
 1001-A Pittsburgh Antioch Hwy
 Pittsburg, CA 94565
 Phone: 800.775.2362
 Fax: 626.330.7598

Technical Services
 13191 Crossroads Pkwy N., Ste 325
 City of Industry, CA 91746
 Phone: 800.416.2278
 Fax: 626.249.5004

#12 SOFFIT DRIP EDGE® SPECIFICATION



The **#12 SOFFIT DRIP EDGE®** is manufactured for soffit and recessed windows head application. The 45° slope allows water to weep out of the assembly. The Drip edge provides a place for water to drip from rather than travel back along the soffit. The #12 SOFFIT DRIP EDGE is part of CEMCO's Water Management Products of Stucco Accessories fabricated from minimum 0.018-inch thick hot dipped galvanized steel complying with ASTM A653 having a minimum G-90 coating complying with ASTM A925. **Water tested per ASTM E1105.**

Size (A)	Pcs./Bundle	Length	Ft./Bundle	Wt./Bundle	Pcs./Pallet
3/4" (0.75")	20	10'	100	38 lbs.	250
7/8" (0.875")	20	10'	100	38 lbs.	250

Technical Services

Technical Services: 800.416.2278
 Structural Engineering/Design: 925.473.9340
 www.cemcosteel.com



This technical information reflects the most current information available and supersedes any and all previous publications effective December 17, 2020.
 12-17-20 AT