



Expanding Your Solutions

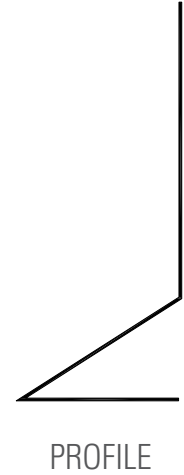
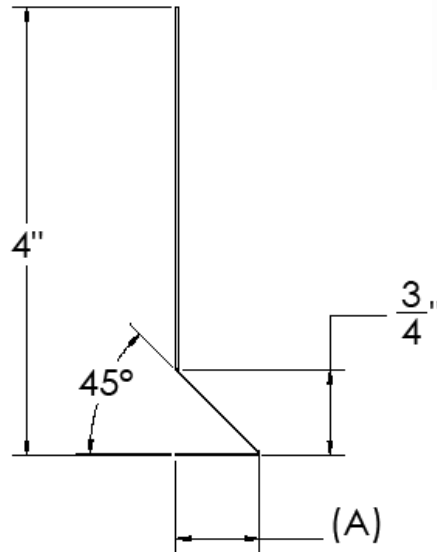
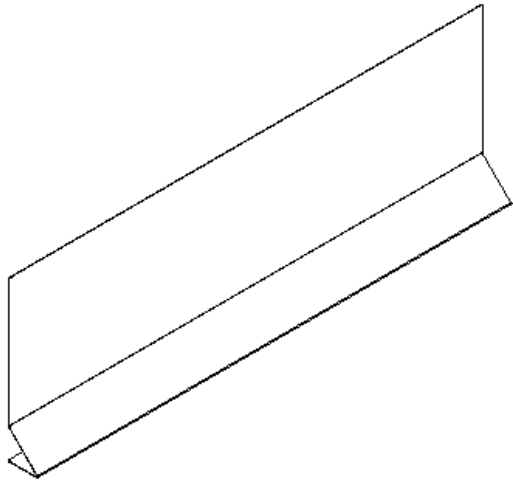
Corporate Headquarters
 13191 Crossroads Pkwy N., Ste 325
 City of Industry, CA 91746
 Phone: 800.775.2362
 Fax: 626.330.7598

Manufacturing Facilities
 City of Industry, CA
 Denver, CO
 Ft. Worth, TX
 Pittsburg, CA

Structural Engineering/Design
 1001-A Pittsburg Antioch Hwy
 Pittsburg, CA 94565
 Phone: 800.775.2362
 Fax: 626.330.7598

Technical Services
 13191 Crossroads Pkwy N., Ste 325
 City of Industry, CA 91746
 Phone: 800.416.2278
 Fax: 626.249.5004

#6 HEAD/FOUNDATION DRIP SCREED SPECIFICATION



The **#6 HEAD DRIP SCREED** is manufactured for application above windows, doors, base of walls, and vents on exterior plaster walls. The 45° slope allows water to weep out of the assembly, and the 90° return provides a 3/4-inch solid metal leg for sealant application from stucco assembly to dissimilar materials. The #6 Head/Foundation Drip Screed is part of CEMCO's Water management Products of Stucco Accessories fabricated from hot dipped galvanized steel complying with ASTM A653 having a minimum G-90 coating complying with ASTM A925. The screed is manufactured from minimum 0.018-inch thick steel.

Size (A)	Pcs./Bundle	Length	Ft./Bundle	Wt./Bundle	Pieces/Pallet
3/4" (0.75")	20	10'	200	84 lbs.	30
7/8" (0.875")	20	10'	200	84 lbs.	30

Technical Services

Technical Services: 800.416.2278
 Structural Engineering/Design: 925.473.9340
 www.cemcosteel.com



This technical information reflects the most current information available and supersedes any and all previous publications effective June 18, 2018.

06-18-18 AT