



Expanding Your Solutions

**Corporate Headquarters**  
13191 Crossroads Pkwy N., Ste 325  
City of Industry, CA 91746  
Phone: 800.775.2362  
Fax: 626.330.7598

**Manufacturing Facilities**  
City of Industry, CA  
Denver, CO  
Ft. Worth, TX  
Pittsburg, CA

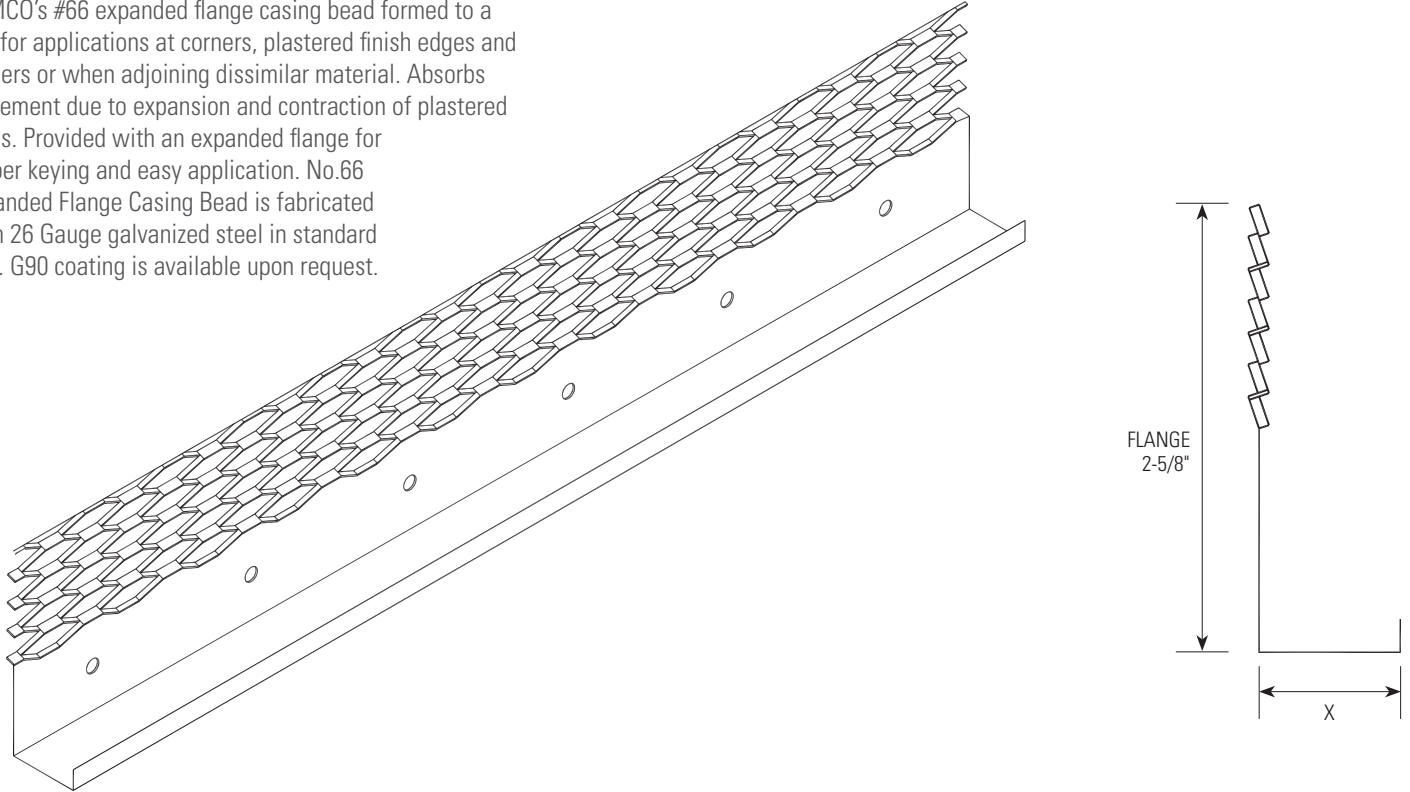
**Structural Engineering/Design**  
1001-A Pittsburgh Antioch Hwy  
Pittsburg, CA 94565  
Phone: 800.775.2362  
Fax: 626.330.7598

**Technical Services**  
13191 Crossroads Pkwy N., Ste 325  
City of Industry, CA 91746  
Phone: 800.416.2278  
Fax: 626.249.5004

## #66 EXPANDED-FLANGE CASING BEAD

### Properties

CEMCO's #66 expanded flange casing bead formed to a 90° for applications at corners, plastered finish edges and corners or when adjoining dissimilar material. Absorbs movement due to expansion and contraction of plastered walls. Provided with an expanded flange for proper keying and easy application. No.66 Expanded Flange Casing Bead is fabricated from 26 Gauge galvanized steel in standard G60. G90 coating is available upon request.



### Packaging

Size (X)	Pcs. / Ctn.	Length	Ft. / Ctn.	Wt. / Ctn.	Ctn. / Pallet
1/4"	30	10'	300	42 lbs.	42
3/8"	30	10'	300	48 lbs.	42
1/2"	30	10'	300	55 lbs.	42
3/4"	30	10'	300	58 lbs.	42
7/8"	30	10'	300	62 lbs.	42
1"	30	10'	300	64 lbs.	42
1-1/4"	30	10'	300	68 lbs.	42

### ASTM & Code Standards:

- ASTM A653
- ASTM A924
- ASTM C840
- ASTM C1047
- ASTM C1063
- IBC: 2012, 2015, 2018
- CBC: 2013, 2016
- AISI: S100-07, S100-12, S100-16, S220-11, S220-15

### LEED v4 for Building and Design Construction

- MR Prerequisite: Construction and Demolition Waste Management Planning.
- MR Credit: Construction and Demolition Waste Management.
- MR Credit: Building Product Disclosure and Optimization – Sourcing of Raw Materials, Option 2.
- MR Credit: Building Product Disclosure and Optimization – Environmental Product Declarations, Options 1 & 2.
- MR Credit: Building Product Disclosure and Optimization – Material Ingredients, Option 1.
- MR Credit: Building Life-Cycle Impact Reduction, Option 4.

### CEMCO cold-formed steel framing products contain 30% to 37% recycled steel.

- Total Recycled Content: 36.9%
- Post-Consumer: 19.8%
- Pre-Consumer: 14.4%

### Technical Services

Technical Services: 800.416.2278  
Structural Engineering/Design: 925.473.9340  
www.cemcosteel.com



This technical information reflects the most current information available and supersedes any and all previous publications effective December 21, 2018.  
12-21-18 AT