

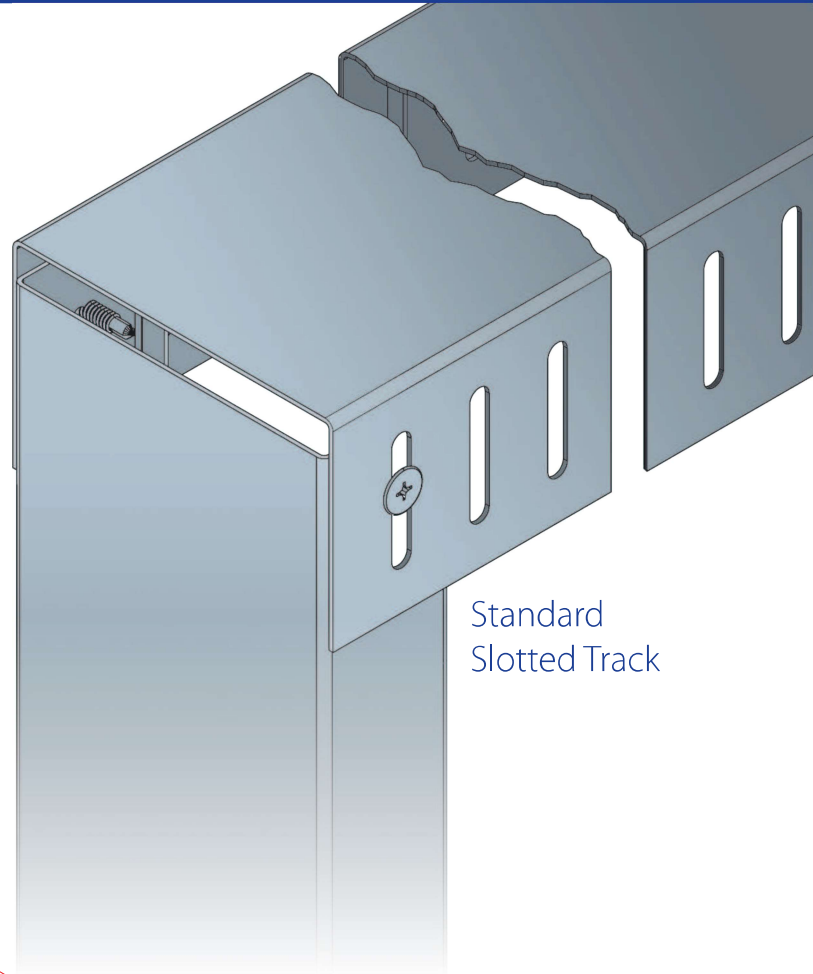
"CST" and "SLP-TRK®" Brand Slotted Tracks

"CST" and "SLP-TRK" brand slotted slip tracks are fabricated in following web depths and thicknesses. All CEMCO CST brand and Brady SLP-TRK® brand slotted slip tracks are produced from G40 coated steel for 18 and 33 mil products. All others are manufactured with G60 coating. G90 is available upon request.

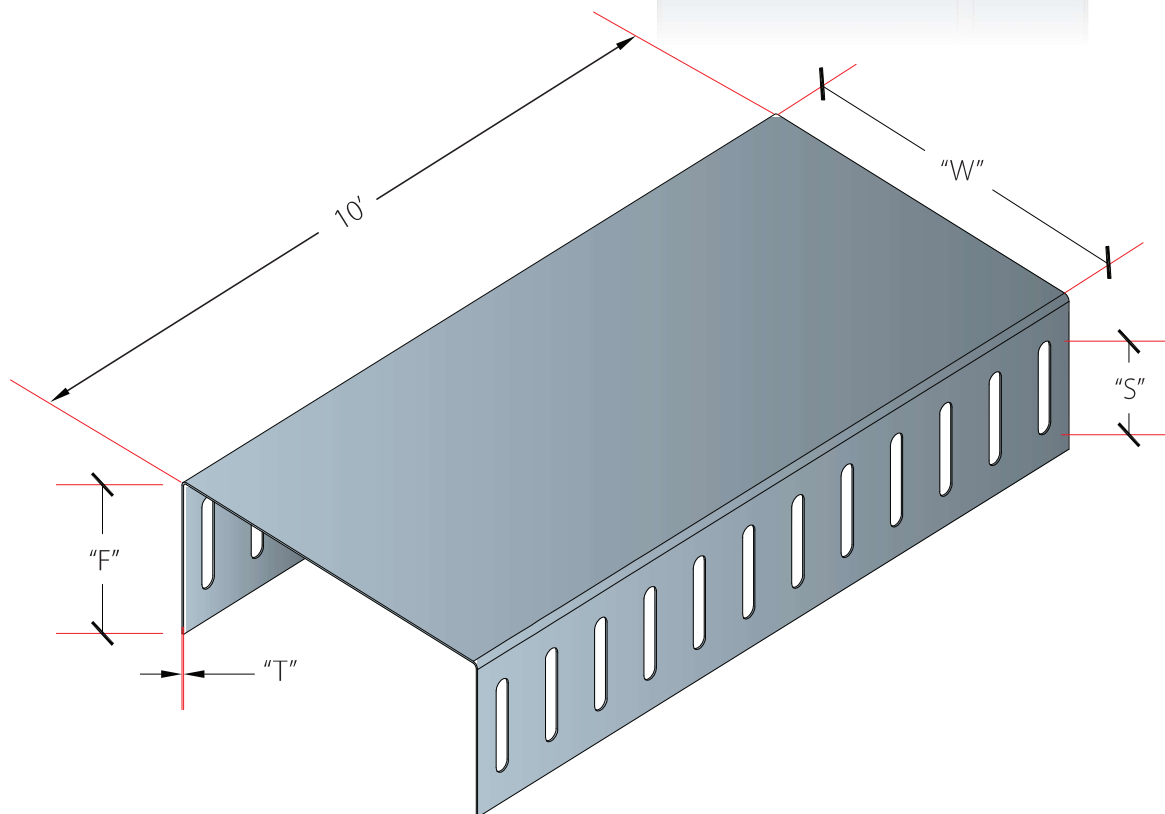
CEMCO Slotted Track Configurations

"W" Web Size (in)	"F" Flange Size (in)	"S" Slot Length (in)	"T" Steel Thickness (mil)
2½, 3⅝, 4, 6, 8	2½	1½	18, 33, 43, 54, 68
2½, 3⅝, 4, 6, 8	3	2	54, 68
3⅝, 4, 6, 8	3¼	2*	54, 68

*Slots are 1" down from top of track



Standard Slotted Track





CEMCO CST/SLP-TRK SLOTTED TRACK ALLOWABLE LOADS AND HEIGHTS (1-1/2" SLOTS)										
Model No.	Design Thickness (in.)	Minimum Thickness (in.)	Yield (KSI)	Coating	Web Sizes (in.)	Gap (in.)	Stud Spacing (in.)	Lateral Load (PSF)	Max Load (LB)	Max Height
18 mil	0.0188	0.0179	33	G40	2-1/2, 3-1/2, 3-5/8, 4, 6, 8	5/8"	12	5	80	28' 10"
								7.5		19' 2"
								10		14' 5"
							16	5		21' 8"
								7.5		14' 5"
								10		10' 10"
							24	5		14' 5"
								7.5		9' 7"
								10		7' 2"
33 mil	0.0346	0.0329	33	G60	2-1/2, 3-1/2, 3-5/8, 4, 6, 8	5/8"	12	5	150	58'
								7.5		38' 8"
								10		29'
							16	5		43' 7"
								7.5		29' 1"
								10		21' 10"
							24	5		29'
								7.5		19' 4"
								10		14' 6"
43 mil	0.0451	0.0428	33	G60	2-1/2, 3-1/2, 3-5/8, 4, 6, 8	5/8"	12	5	220	85' 2"
								7.5		56' 10"
								10		42' 7"
							16	5		64' 1"
								7.5		42' 8"
								10		32' 0"
							24	5		42' 7"
								7.5		28' 5"
								10		21' 4"
54 mil	0.0566	0.0538	50	G60	2-1/2, 3-1/2, 3-5/8, 4, 6, 8	5/8"	12	5	355	140'
								7.5		93' 4"
								10		70'
							16	5		105' 3"
								7.5		70' 2"
								10		52' 8"
							24	5		70'
								7.5		46' 8"
								10		35'
68 mil	0.0713	0.0677	50	G60	3-5/8, 4, 6, 8	5/8"	12	5	380	150'
								7.5		100'
								10		75'
							16	5		112' 9"
								7.5		75' 2"
								10		56' 5"
							24	5		75'
								7.5		50'
								10		37' 6"

NOTE: MAXIMUM LOADS ARE BASED ON AVERAGE TEST RESULTS