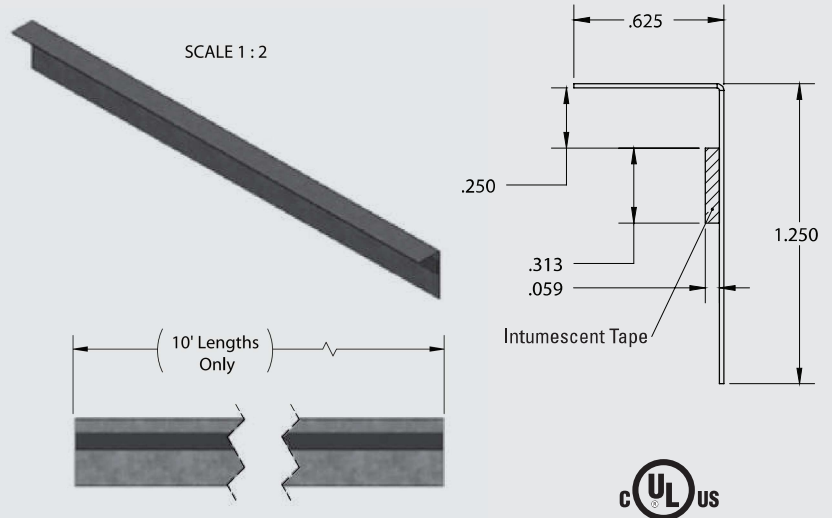


DDA-1 Fire Block

Up to 1" Overall Movement With No Fire Spray Required Over Mineral Wool



DDA®

US Patent #8,595,999 B1 (Deflection Drift Angle®) is a composite steel angle with intumescent tape factory applied to the inside leg of the steel angle. The DDA is a fire-rated accessory that when combined with slotted or deep leg track will offer 2" unencumbered movement at the head-of-wall joint in accordance with UL-2079 "Test for Fire Resistance of Building Joint Systems". The 2-1/2" outside leg marked for proper identification. The section is fabricated from minimum 0.018-inch thick hot-dipped red galvanized steel complying with ASTM A653 having minimum G-40 coating.

Benefits

- The DDA provides a universal fit for any wall width, gauge, height, radius, pitched, shaft wall or standard wall.
- Up to 1" movement with NO Fire Spray required over mineral wool.
- Easy installation; DDA is tapped into place over the leg of the track, the 3/4" leg is friction fit between the overhead structure and the web of the header track.
- There is no need for mechanical fasteners as the DDA's friction fit provides fire and smoke protection during both vertical and lateral drift movement.
- The DDA comes in 10' lengths with 10 pieces per box, providing up to 2" unencumbered movement with positive stud attachment. DDA can be butt-joined or over-lapped.
- When fire spray is required for 2" movement, RectorSeal brand fire sprays are required on ONLY ONE SIDE of the wall.
- Over 20 separate UL reports in accordance to UL2079 "Test for Fire Resistance of Building Joints."

- Maintains best possible LRating (smoke rating) and NO loss of STC sound ratings at head-of-wall joint.
- Uses up to 75% less fire spray while the majority of the joint systems requiring no fire spray at all.
- DDA and RectorSeal® brand fire spray offer an industry best sustainable-life warranty.
- DDA and RectorSeal brand fire sprays and sealants are 100% made in the USA.
- All Engineering Judgements utilizing fire spray or fire sealant are provided by RectorSeal.

Sound Benefits

Whether the protection you need is Fire, Smoke, or Sound, DDA will help you achieve your requirements. Sound tests were performed at Western Electro-Acoustic Laboratory in Southern California to prove that the DDA will maintain maximum STC ratings without secondary acoustic sealant applications. In fact several sound tests were conducted both with a 1/2" to 3/4" open joint at the head-of-wall and with a sealed head-of-wall joint on the same wall assembly. Both open and closed joints rendered the exact same STC rating proving that no sound transmission occurs through the open head of wall joint.

DDA will provide protection for the most extreme real life conditions and allow your head-of-wall joint to freely move both lateral and vertically without ever compromising the sound (STC) rating.

Technical Assistance

For technical questions and assistance please call 1.800.775.2362 or 1.800.416.2278, email dpilz@cemcosteel.com or visit our website at www.cemcosteel.com.