



Expanding Your Solutions

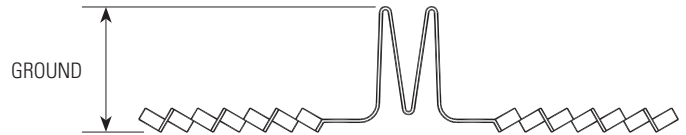
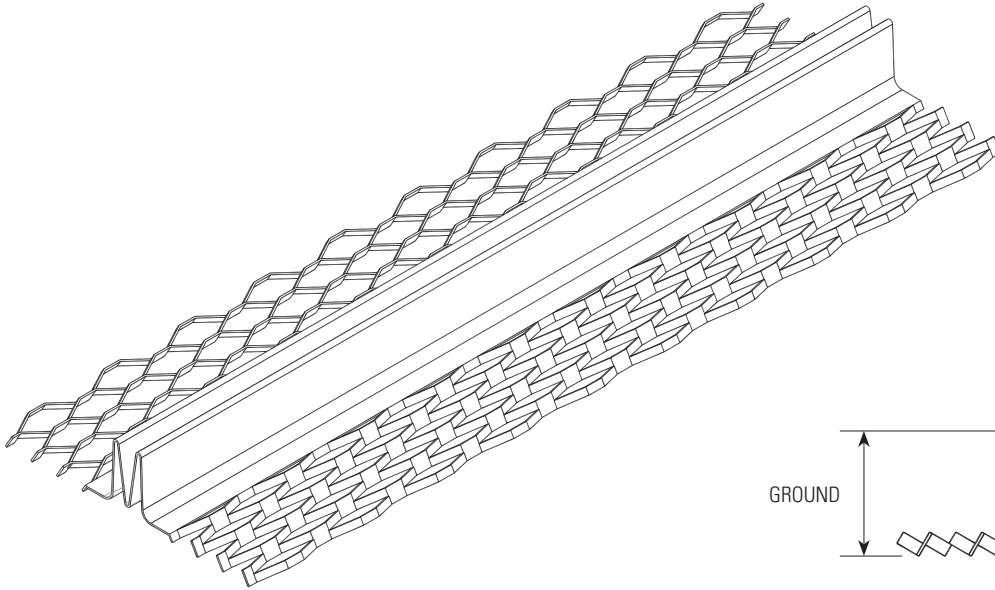
Corporate Headquarters
13191 Crossroads Pkwy N., Ste 325
City of Industry, CA 91746
Phone: 800.775.2362
Fax: 626.330.7598

Manufacturing Facilities
City of Industry, CA
Denver, CO
Ft. Worth, TX
Pittsburg, CA

Structural Engineering/Design
1001-A Pittsburgh Antioch Hwy
Pittsburg, CA 94565
Phone: 800.775.2362
Fax: 626.330.7598

Technical Services
13191 Crossroads Pkwy N., Ste 325
City of Industry, CA 91746
Phone: 800.416.2278
Fax: 626.249.5004

DOUBLE "V" CONTROL JOINT (#15)



Properties

CEMCO's Double "V" (#15) Control joint relieves stresses and strains in large plaster walls and ceilings. This inconspicuous product provides a clean and neat joint in exterior applications. This product has expanded flanges for proper keying and easy application. Double "V" Control Joint is fabricated from 26 gauge galvanized steel standard G60. G90 coating is available upon request. Double J-Control Joint is manufactured by Niles Corporation and distributed by CEMCO.

Packaging

Ground	Pieces / Carton	Length	Foot / Carton	Weight / Carton	Carton / Pallet
1/4"	24	10'	240	45 lbs.	42
3/8"	24	10'	240	48 lbs.	42
1/2"	24	10'	240	74 lbs.	40
3/4"	24	10'	240	80 lbs.	40
7/8"	24	10'	240	84 lbs.	40

ASTM & Code Standards:

- ASTM A653
- ASTM A924
- ASTM C840
- ASTM C1063
- IBC: 2012, 2015, 2018
- CBC: 2013, 2016
- AISI: S100-07, S100-12, S100-16, S220-11, S220-15

LEED v4 for Building and Design Construction

- MR Prerequisite: Construction and Demolition Waste Management Planning.
- MR Credit: Construction and Demolition Waste Management.
- MR Credit: Building Product Disclosure and Optimization – Sourcing of Raw Materials, Option 2.
- MR Credit: Building Product Disclosure and Optimization – Environmental Product Declarations, Options 1 & 2.
- MR Credit: Building Product Disclosure and Optimization – Material Ingredients, Option 1.
- MR Credit: Building Life-Cycle Impact Reduction, Option 4.

CEMCO cold-formed steel framing products contain 30% to 37% recycled steel.

- Total Recycled Content: 36.9%
- Post-Consumer: 19.8%
- Pre-Consumer: 14.4%

Technical Services

Technical Services: 800.416.2278
Structural Engineering/Design: 925.473.9340
www.cemcosteel.com



This technical information reflects the most current information available and supersedes any and all previous publications effective December 21, 2018.

12-21-18 AT