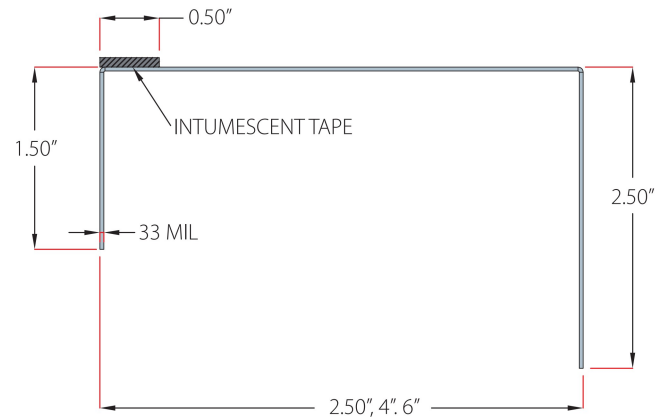
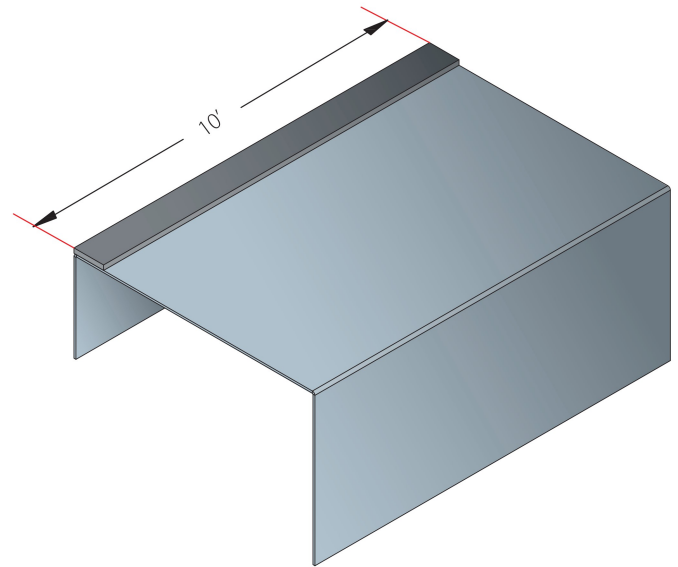


J-Track

FAS® J-Track Provides the Same Great Benefits of FAS Track 1000 Within a Shaft Wall Assembly

- FAS J-Track has longer legs than standard J-Runner to provide greater deflection at the head-of-wall joint.
- FAS J-Track provides 3/4" overall unencumbered movement.
- FAS J-Track provides the best possible L-Rating (smoke) for 1 and 2 hour fire ratings.
- FAS J-Track eliminates the installation of fire caulking or additional drywallrips.

FAS J-Track is fabricated from hot-dipped galvanized steel complying with ASTM A653, and ASTM A1003 Grade 33 Type H for 33 ksi yield strength steel for 33 mils (20 gauge) with a minimum G40 coating complying with ASTM A1003. FAS J-Track has been tested with Underwritten Laboratories in accordance with UL 2079 for shaft wall assemblies.



CEMCO FAS J-Track Allowable Loads and Heights										
Model No.	Design Thickness (in.)	Minimum Thickness (in.)	Yield (KSI)	Coating	Web Sizes (in.)	Gap (in.)	Stud Spacing (in.)	Lateral Load (PSF)	Max Load (LB)	Max Height
33 mil	0.0346	0.0329	33	G40	2-1/2, 4, 6	3/4"	12	5	75	22' 5"
								7.5		15' 0"
								10		11' 2"
							16	5		22' 7"
								7.5		15' 0"
								10		11' 3"
							24	5		19' 0"
								7.5		12' 8"
								10		9' 6"

NOTE: BASED ON TEST RESULTS