



Expanding Your Solutions

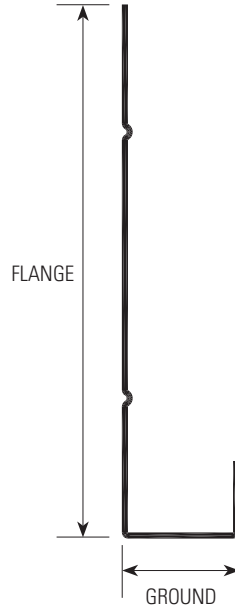
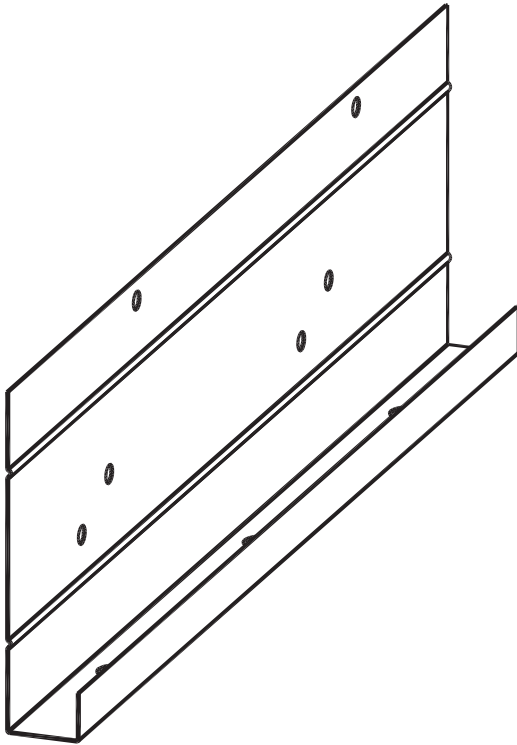
Corporate Headquarters
13191 Crossroads Pkwy N., Ste 325
City of Industry, CA 91746
Phone: 800.775.2362
Fax: 626.330.7598

Manufacturing Facilities
City of Industry, CA
Denver, CO
Ft. Worth, TX
Pittsburg, CA

Structural Engineering/Design
1001-A Pittsburgh Antioch Hwy
Pittsburg, CA 94565
Phone: 800.775.2362
Fax: 626.330.7598

Technical Services
13191 Crossroads Pkwy N., Ste 325
City of Industry, CA 91746
Phone: 800.416.2278
Fax: 626.249.5004

"J" METAL



Properties

CEMCO's "J" Metal products are manufactured in various grounds (depths) to be used with a variety of polystyrene or foam insulation boards for exterior purposes. "J" Metal also provides for a workable screed around doors and windows. CEMCO's "J" Metal can also be ordered with holes and be used in some applications as a weep screed. J-Metal is fabricated from 26 gauge galvanized steel in standard G60 coating. G90 coating is available upon request.

Packaging

Gauge	Ground	Flange Size	Wt. / Mlf.	Pieces / Bundle	Bundle / Pallet
26	1-3/8"	1-3/4" S.F.	220 lbs.	10	50
26	3/8"	3-1/2" L.F.	266 lbs.	10	50
26	1/2"	3-1/2" L.F.	275 lbs.	10	50
26	3/4"	3-1/2" L.F.	291 lbs.	10	50
26	7/8"	3-1/2" L.F.	299 lbs.	10	50
26	1-3/8"	3-1/2" L.F.	333 lbs.	10	50
26	1-1/2"	3-1/2" L.F.	339 lbs.	10	50

ASTM & Code Standards:

- ASTM A653/A653M
- ASTM A924/A924M
- ASTM C840
- ASTM C1047
- ASTM C1063
- IBC: 2012, 2015, 2018
- CBC: 2013, 2016
- AISI: S100-07, S100-12, S100-16, S220-11, S220-15

LEED v4 for Building and Design Construction

- MR Prerequisite: Construction and Demolition Waste Management Planning.
- MR Credit: Construction and Demolition Waste Management.
- MR Credit: Building Product Disclosure and Optimization – Sourcing of Raw Materials, Option 2.
- MR Credit: Building Product Disclosure and Optimization – Environmental Product Declarations, Options 1 & 2.
- MR Credit: Building Product Disclosure and Optimization – Material Ingredients, Option 1.
- MR Credit: Building Life-Cycle Impact Reduction, Option 4.

CEMCO cold-formed steel framing products contain 30% to 37% recycled steel.

- Total Recycled Content: 36.9%
- Post-Consumer: 19.8%
- Pre-Consumer: 14.4%

Technical Services

Technical Services: 800.416.2278
Structural Engineering/Design: 925.473.9340
www.cemcosteel.com



This technical information reflects the most current information available and supersedes any and all previous publications effective March 7, 2019.

03-07-19 AT