



Expanding Your Solutions

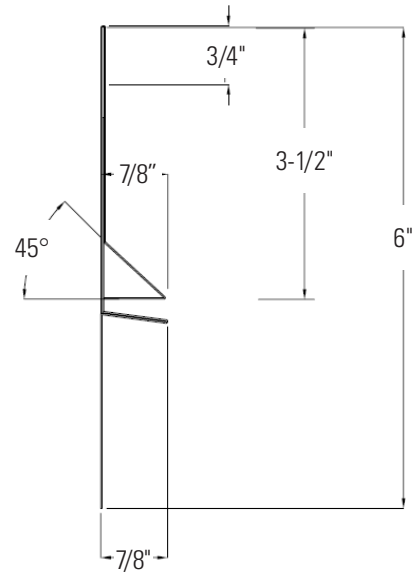
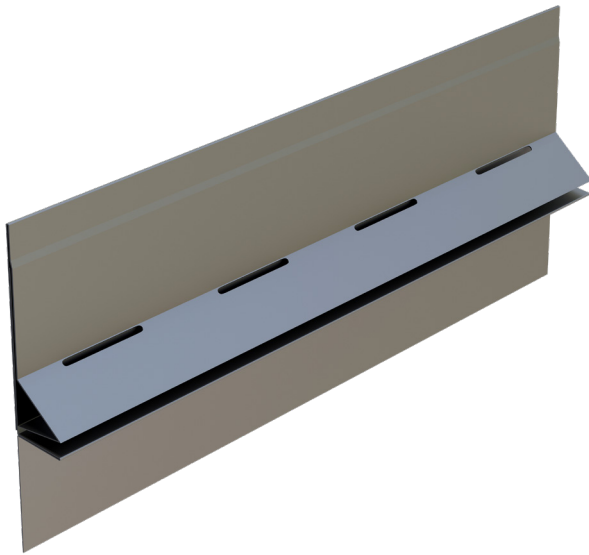
Corporate Headquarters
 13191 Crossroads Pkwy N., Ste 325
 City of Industry, CA 91746
 Phone: 800.775.2362
 Fax: 626.330.7598

Manufacturing Facilities
 City of Industry, CA
 Denver, CO
 Ft. Worth, TX
 Pittsburg, CA

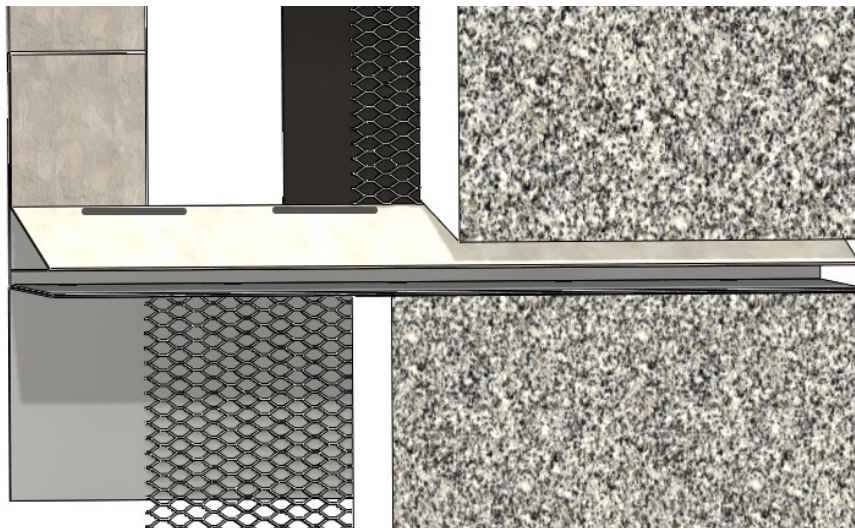
Structural Engineering/Design
 1001-A Pittsburgh Antioch Hwy
 Pittsburg, CA 94565
 Phone: 800.775.2362
 Fax: 626.330.7598

Technical Services
 13191 Crossroads Pkwy N., Ste 325
 City of Industry, CA 91746
 Phone: 800.416.2278
 Fax: 626.249.5004

M-SLIDE EXPANSION JOINT™ SPECIFICATION



Shown with optional weep holes



The **M-SLIDE EXPANSION JOINT™** is manufactured for application where movement is anticipated. The self-aligning two-piece design allows for 1-inch vertical movement while maintaining a watertight assembly for plaster walls. M-Slide expansion joint is part of CEMCO's Water Management Line of stucco accessories fabricated from minimum 0.018-inch thick hot-dipped galvanized steel complying with ASTM A653 having a minimum G-90 coating complying with ASTM A925. Available with or without weep holes. **Water tested per ASTM E1105. US PATENT NO. 7,673,421 B2.**

Size	Pcs./Bundle	Length	Ft./Bundle	Wt./Bundle	Pcs./Pallet
7/8" (0.875")	10	10'	100	9.4 lbs.	200

Technical Services
 Technical Services: 800.416.2278
 Structural Engineering/Design: 925.473.9340
 www.cemcosteel.com



This technical information reflects the most current information available and supersedes any and all previous publications effective September 28, 2021.
 09-28-21 AT