



Expanding Your Solutions

Corporate Headquarters
13191 Crossroads Pkwy N., Ste 325
City of Industry, CA 91746
Phone: 800.775.2362
Fax: 626.330.7598

Manufacturing Facilities
City of Industry, CA
Denver, CO
Ft. Worth, TX
Pittsburg, CA

Structural Engineering/Design
1001-A Pittsburgh Antioch Hwy
Pittsburg, CA 94565
Phone: 800.775.2362
Fax: 626.330.7598

Technical Services
13191 Crossroads Pkwy N., Ste 325
City of Industry, CA 91746
Phone: 800.416.2278
Fax: 626.249.5004

PRO-X HEADER®

Product Description

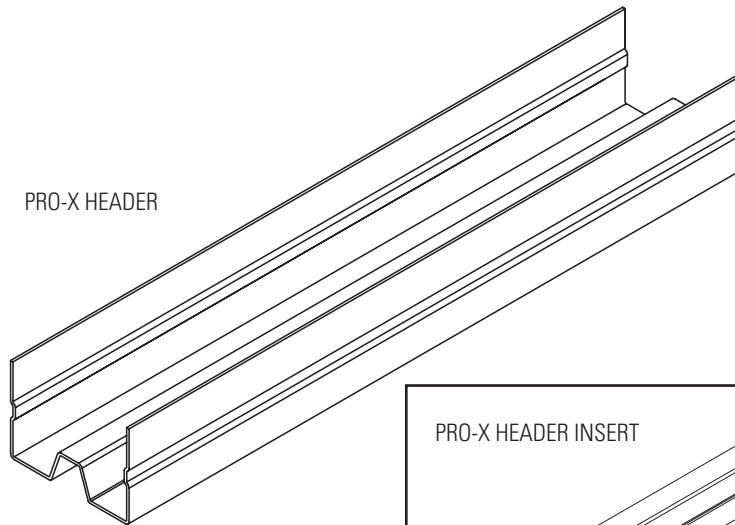
Basic Use (Exterior & Interior)

ProX Header is a light gauge steel header that provides horizontal and vertical load support. This pre-engineered metal framing component is designed as a 1- or 2-piece steel header that can be used in lieu of 4- or 5-piece built-up (stud and track) headers in both interior and exterior applications, including door and window openings. It also works at any framed opening in the wall, such as HVAC openings and other wall penetrations.

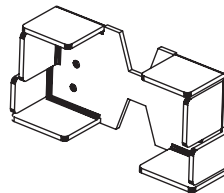
The ProX Header is made of 20, 18, 16 and 14 gauge (33 mil, 43, 54 and 68 mil) hot-dipped galvanized steel in G60 coating complying with industry-standard ASTM performance criteria for metal stud framing. The members fasten together with No. 8 (interior) or No. 10 (exterior) sheet metal screws (SMS). ProX Header Clips are internal and connect horizontally to vertical members, which leaves a smooth framing substrate for the drywall and finishing trades.

Benefits

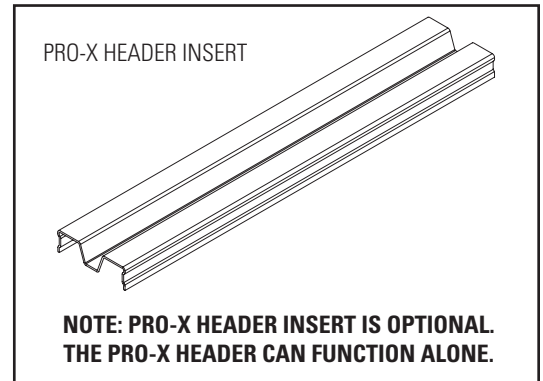
- IAPMO ER-0286
- IBC 2012/2015/2018 & CBC 2013/2016/2019 code compliant
- The ProX Header is engineered to deliver superior strength with fewer pieces
- Easy, consistent installation – no welding required
- Superior strength at connection points – internal ProX Header Clip design
- Improved load values in lighter gauge materials
- Straight cuts that deliver consistent and accurate fitting components
- Reduces field cutting, welding and trimming
- Consistent door and window header design for both interior and exterior metal framed openings
- ProX Header offers a flush framing substrate that provides a better quality drywall finish
- Easily insulates during the “work in progress”
- Pre-engineered code compliant Span Tables
- Easy unchanging inspection



PRO-X HEADER



PRO-X HEADER CLIP



PRO-X HEADER INSERT

NOTE: PRO-X HEADER INSERT IS OPTIONAL. THE PRO-X HEADER CAN FUNCTION ALONE.



Color Code (painted on ends)

- 33 mil: White
- 43 mil: Yellow
- 54 mil: Green
- 68 mil: Orange

ASTM & Code Standards

- ASTM C645, A653/A653M, C754 (installation & storage), A924/A924M, A1003/A1003M/E119
- IAPMO ER-0286
- IBC: 2012/2015/2018
- CBC: 2013/2016/2019
- AISI (33 Mil): S100-07, S100-12, S100-16, S220-11, S220-15

- AISI (43 Mil to 68 Mil): S100-07, S100-12, S100-16, S200-12, S240-15
- ICC-ES AC261, approved updated August 2013
- ICC-ES AC46, approved August 2012

LEED v4 for Building and Design Construction

- MR Prerequisite: Construction and Demolition Waste Management Planning.
- MR Credit: Construction and Demolition Waste Management.
- MR Credit: Building Product Disclosure and Optimization – Sourcing of Raw Materials, Option 2.
- MR Credit: Building Product Disclosure and Opti-

- mization – Environmental Product Declarations, Options 1 & 2.
- MR Credit: Building Product Disclosure and Optimization – Material Ingredients, Option 1.
- MR Credit: Building Life-Cycle Impact Reduction, Option 4.

CEMCO cold-formed steel framing products contain 30% to 37% recycled steel.

- Total Recycled Content: 36.9%
- Post-Consumer: 19.8%
- Pre-Consumer: 14.4%

ProX Header® is a registered trademark of Brady Innovations, LLC. US Patent Nos. 6,799,408; 7,178,695; 7,730,695 & 8,281,544 are owned by Brady Innovations, LLC

Technical Services

Technical Services: 800.416.2278
Structural Engineering/Design: 925.473.9340
www.cemcosteel.com



This technical information reflects the most current information available and supersedes any and all previous publications effective September 13, 2021.
09-13-21 AT



Expanding Your Solutions

Corporate Headquarters
 13191 Crossroads Pkwy N., Ste 325
 City of Industry, CA 91746
 Phone: 800.775.2362
 Fax: 626.330.7598

Manufacturing Facilities
 City of Industry, CA
 Denver, CO
 Ft. Worth, TX
 Pittsburg, CA

Structural Engineering/Design
 1001-A Pittsburgh Antioch Hwy
 Pittsburg, CA 94565
 Phone: 800.775.2362
 Fax: 626.330.7598

Technical Services
 13191 Crossroads Pkwy N., Ste 325
 City of Industry, CA 91746
 Phone: 800.416.2278
 Fax: 626.249.5004

PRO-X HEADER®

ProX Header Outer Sectional Properties

DESCRIPTION			GROSS SECTION PROPERTIES					EFFECTIVE PROPERTIES						TORSIONAL PROPERTIES			
Member Designation	Design Steel Thickness (in)	Weight (lbs./ft.)	Area (in ²)	I _x (in ⁴)	R _x (in)	I _y (in ⁴)	R _y (in)	I _x Pos. (in ⁴)	I _x Neg. (in ⁴)	I _y (in ⁴)	S _x Pos. (in ³)	S _x Neg. (in ³)	S _y (in ³)	Y _o (in)	J (in ⁴)	C _w (in ⁶)	R _o (in)
362X425-33	0.0346	1.6610	0.48853	0.7487	1.2380	1.1067	1.5051	0.36990	0.74869	0.83181	0.12191	0.27855	0.39064	-2.0762	0.0001950	2.2738	2.8475
362X425-43	0.0451	2.1519	0.63291	0.9608	1.2321	1.4110	1.4931	0.5540	0.9608	1.11330	0.18766	0.35931	0.53793	-2.0665	0.0004291	2.8719	2.8316
362X425-54	0.0566	2.6752	0.78683	1.1819	1.2256	1.7236	1.4800	0.6840	1.1819	1.33250	0.23334	0.44490	0.64169	-2.0610	0.0008402	3.4670	2.8178
362X425-68	0.0713	3.3271	0.97854	1.4497	1.2172	2.0953	1.4633	0.9944	1.4497	1.70130	0.35150	0.55050	0.84590	-2.0551	0.0016582	4.1490	2.8011
400X425-33	0.0346	1.7051	0.50151	0.7789	1.2462	1.3605	1.6471	0.3879	0.7789	1.02600	0.12637	0.28552	0.43849	-2.1374	0.0002001	2.8338	2.9722
400X425-43	0.0451	2.2094	0.64983	0.9998	1.2404	1.7374	1.6351	0.5800	0.9998	1.37410	0.19406	0.36838	0.60351	-2.1280	0.0004406	3.5851	2.9565
400X425-54	0.0566	2.7474	0.80806	1.2305	1.2340	2.1261	1.6221	0.7166	1.2305	1.64820	0.24140	0.45629	0.72125	-2.1228	0.0008629	4.3372	2.9428
400X425-68	0.0713	3.4180	1.0053	1.5106	1.2258	2.5909	1.6054	1.0404	1.5106	2.10770	0.36280	0.56490	0.95090	-2.1171	0.0017035	5.2054	2.9261
600X425-33	0.0346	1.9404	0.57071	0.9168	1.2674	3.2507	2.3866	0.4686	0.9168	2.46650	0.14507	0.31498	0.71069	-2.2394	0.0002277	6.9805	3.5096
600X425-43	0.0451	2.5161	0.74003	1.1779	1.2616	4.1732	2.3747	0.6968	1.1779	3.35460	0.22090	0.40660	0.99690	-2.2301	0.0005017	8.8786	3.4935
600X425-54	0.0566	3.1323	0.92126	1.4520	1.2556	5.1380	2.3616	0.8626	1.4524	4.05660	0.27520	0.50420	1.20030	-2.2238	0.0009838	10.8150	3.4784
600X425-68	0.0713	3.9028	1.1479	1.7880	1.2479	6.3120	2.3449	1.2472	1.7877	5.20550	0.41020	0.62520	1.57920	-2.2165	0.0019450	13.1010	3.4596

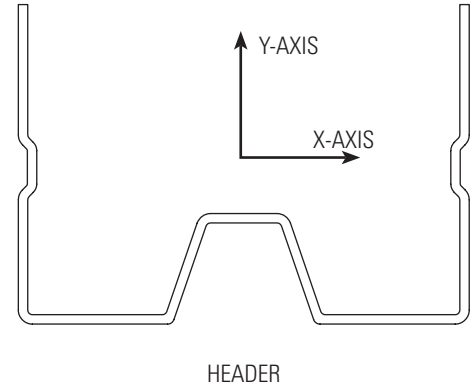
For S_t: 1 inch = 25.4 mm, 1 mil = 0.0254mm, 1 lb = 4.45 N.

ProX Header Outer Allowable Values

DESCRIPTION			ALLOWABLE VALUES			
Member Designation	Design Steel Thickness (in)	Weight (lbs./ft.)	Positive Moment +M _a (in.-lbs.)		Negative Moment -M _a (in.-lbs.)	
			X-Axis	Y-Axis	X-Axis	Y-Axis
362X425-33	0.0346	1.6610	2,409	5,695	5,504	5,695
362X425-43	0.0451	2.1519	3,708	8,232	7,100	8,232
362X425-54	0.0566	2.6752	6,986	14,309	13,320	14,309
362X425-68	0.0713	3.3271	10,524	19,735	16,483	19,735
400X425-33	0.0346	1.7051	2,497	6,096	5,642	6,096
400X425-43	0.0451	2.2094	3,835	8,841	7,279	8,841
400X425-54	0.0566	2.7474	7,228	15,396	13,661	15,396
400X425-68	0.0713	3.4180	10,863	21,322	16,914	21,322
600X425-33	0.0346	1.9404	2,867	8,497	6,224	8,497
600X425-43	0.0451	2.5161	4,366	12,472	8,035	12,472
600X425-54	0.0566	3.1323	8,239	21,892	15,096	21,892
600X425-68	0.0713	3.9028	12,283	30,761	18,720	30,761

For S_t: 1 inch = 25.4 mm, 1 mil = 0.0254mm, 1 lb = 4.45 N.

1. Allowable moment values are governed by distortional buckling.



Technical Services

Technical Services: 800.416.2278
 Structural Engineering/Design: 925.473.9340
 www.cemcosteel.com



This technical information reflects the most current information available and supersedes any and all previous publications effective September 13, 2021.
 09-13-21 AT



Expanding Your Solutions

Corporate Headquarters
 13191 Crossroads Pkwy N., Ste 325
 City of Industry, CA 91746
 Phone: 800.775.2362
 Fax: 626.330.7598

Manufacturing Facilities
 City of Industry, CA
 Denver, CO
 Ft. Worth, TX
 Pittsburg, CA

Structural Engineering/Design
 1001-A Pittsburgh Antioch Hwy
 Pittsburg, CA 94565
 Phone: 800.775.2362
 Fax: 626.330.7598

Technical Services
 13191 Crossroads Pkwy N., Ste 325
 City of Industry, CA 91746
 Phone: 800.416.2278
 Fax: 626.249.5004

PRO-X HEADER®

ProX Header Combined Sectional Properties

DESCRIPTION			GROSS SECTION PROPERTIES					EFFECTIVE PROPERTIES						TORSIONAL PROPERTIES			
Member Designation	Design Steel Thickness (in)	Weight (lbs./ft.)	Area (in ²)	I _x (in ⁴)	R _x (in)	I _y (in ⁴)	R _y (in)	I _x Pos. (in ⁴)	I _x Neg. (in ⁴)	I _y (in ⁴)	S _x Pos. (in ³)	S _x Neg. (in ³)	S _y (in ³)	Y _o (in)	J (in ⁴)	C _w (in ⁶)	R _o (in)
362XTC425-54	0.0566	4.3830	1.2891	1.4644	1.0658	2.4694	1.3840	1.0919	1.4644	2.10180	0.43070	0.61180	1.07500	-1.4923	0.0013766	3.8561	2.2975
362XTC425-68	0.0713	5.4430	1.6009	1.7981	1.0598	2.9801	1.3644	1.4502	1.7981	2.60590	0.58630	0.75840	1.36200	-1.5061	0.0027128	4.6076	2.2920
400XTC425-54	0.0566	4.5354	1.3339	1.5897	1.0917	3.1269	1.5310	1.1974	1.5897	2.66070	0.46220	0.64880	1.21480	-1.5720	0.0014244	5.0897	2.4509
400XTC425-68	0.0713	5.6530	1.6627	1.9820	1.0919	3.8750	1.5265	1.6064	1.9821	3.38730	0.62890	0.80870	1.56180	-1.6028	0.0028170	6.3350	2.4681
600XTC425-54	0.0566	5.2903	1.556	2.0420	1.1457	7.5680	2.2054	1.6496	2.0424	6.54390	0.63930	0.83010	2.04260	-1.5082	0.0016620	12.0010	2.9071
600XTC425-68	0.0713	6.5909	1.9385	2.5220	1.1407	9.2770	2.1877	2.1544	2.5222	8.22020	0.85290	1.03410	2.60750	-1.5087	0.0032850	14.5530	2.8919

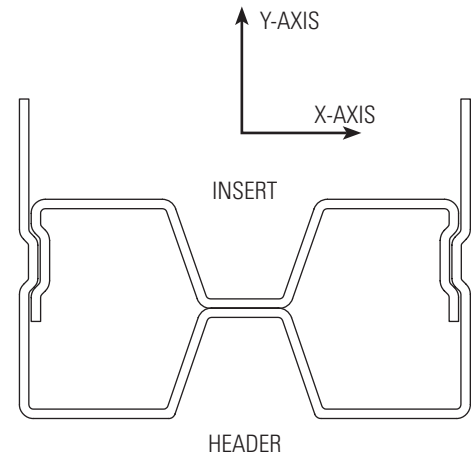
For St: 1 inch = 25.4 mm, 1 mil = 0.0254mm, 1 lb = 4.45 N.

ProX Header Combined Allowable Values

DESCRIPTION			ALLOWABLE VALUES					
Member Designation	Design Steel Thickness (in)	Weight (lbs./ft.)	Positive Moment +M _a (in.-lbs.)		Negative Moment -M _a (in.-lbs.)		Vertical Shear V _a (lbs.)	
			X-Axis	Y-Axis	X-Axis	Y-Axis	#8 @ 8" O.C. ¹	#10 @ 8" O.C. ¹
362XTC425-54	0.0566	4.3830	12,895	32,187	18,318	32,187	602	648
362XTC425-68	0.0713	5.4430	17,553	40,779	22,706	40,779	717	771
400XTC425-54	0.0566	4.5354	13,838	36,372	19,425	36,372	675	725
400XTC425-68	0.0713	5.6530	18,831	46,760	24,213	46,760	877	943
600XTC425-54	0.0566	5.2903	19,142	61,157	24,853	61,157	556	598
600XTC425-68	0.0713	6.5909	25,537	78,068	30,960	78,068	627	675

For St: 1 inch = 25.4 mm, 1 lb/ft = 14.6 N/m, 1 in-lb = 0.112985 N-m.

1. Screw spacing is each side of the ProX Header outer to the ProX Header inner. Allowable shear is based upon a uniform loading. Clip capacity must also be checked.



Technical Services

Technical Services: 800.416.2278
 Structural Engineering/Design: 925.473.9340
 www.cemcosteel.com



This technical information reflects the most current information available and supersedes any and all previous publications effective September 13, 2021.
 09-13-21 AT



Expanding Your Solutions

Corporate Headquarters
 13191 Crossroads Pkwy N., Ste 325
 City of Industry, CA 91746
 Phone: 800.775.2362
 Fax: 626.330.7598

Manufacturing Facilities
 City of Industry, CA
 Denver, CO
 Ft. Worth, TX
 Pittsburg, CA

Structural Engineering/Design
 1001-A Pittsburgh Antioch Hwy
 Pittsburg, CA 94565
 Phone: 800.775.2362
 Fax: 626.330.7598

Technical Services
 13191 Crossroads Pkwy N., Ste 325
 City of Industry, CA 91746
 Phone: 800.416.2278
 Fax: 626.249.5004

PRO-X HEADER®

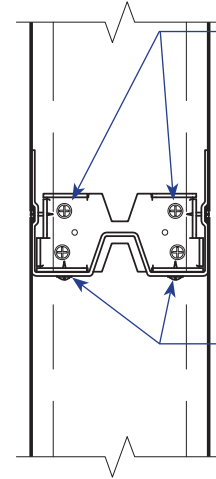
ProX Header Clip Allowable Values: Without Insert, #8 Screw

ProX Header Outer Widths (in)	ProX Header Thickness (in)	Number of Fasteners Attaching ProX Clip to Vertical Rough Opening Support	Number of Screws Attaching ProX Header Outer to Clip	Allowable Values (pounds)	
				V (vertical)	V (horizontal)
3.625	33	4	4	400	472
3.625	43	4	4	573	492
3.625	54	4	4	726	514
3.625	68	4	4	726	514
4.000	33	4	4	400	523
4.000	43	4	4	573	690
4.000	54	4	4	783	719
4.000	68	4	4	783	719
6.000	33	6	4	492	538
6.000	43	6	4	704	709
6.000	54	6	4	963	921
6.000	68	6	4	963	921

For SI: 1 inch = 25.4 mm, 1 mil = 0.0254mm, 1 lb = 4.45 N.

Notes:

- Jamb member thickness to match or exceed ProX Header thickness.
- Locate the screws from clip to jamb at the four corner holes of the clip when supporting a ProX Header without insert. At clips with 10 screw holes, fill the center two holes as well (6 total). At ProX Header with Insert fill all holes.
- Maximum gap between end of header and jamb to be ¼ inch.
- All clips are 54 mils.
- Values may not be increased by 33% for load combinations involving wind or seismic.



(4) #8 OR #10 SMS CLIP TO JAMB AS SHOWN FOR 3-5/8" AND 4" STUDS
 (6) #8 OR #10 SMS FOR 6" AND 8" STUDS

(1) #8 OR #10 SMS EA. SIDE PRO-X HEADER TO CLIP [(2) TOTAL]
 (2) #8 OR #10 SMS PRO-X TO CLIP

PRO-X HEADER WITHOUT INSERT TO JAMB

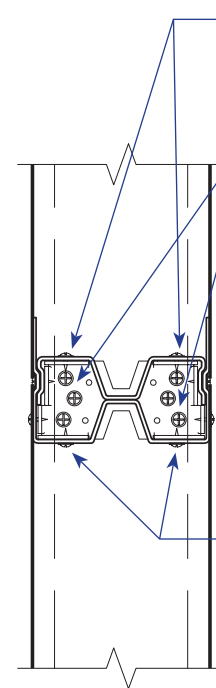
ProX Header Clip Allowable Values: With Insert, #8 Screw

ProX Header Outer Widths (in)	ProX Header Thickness (in)	Number of Fasteners Attaching ProX Header Clip to Vertical Rough Opening Support	Number of Screws Attaching ProX Header Outer to Clip	Allowable Values (pounds)	
				V (vertical)	V (horizontal)
3.625	54	6	8	1582	747
3.625	68	6	8	1582	747
4.000	54	6	8	1704	1111
4.000	68	6	8	1704	1111
6.000	54	10	8	1751	1282
6.000	68	10	8	1751	1282

For SI: 1 inch = 25.4 mm, 1 mil = 0.0254mm, 1 lb = 4.45 N.

Notes:

- Jamb member thickness to match or exceed ProX Header thickness.
- Locate the screws from clip to jamb at the four corner holes of the clip when supporting a ProX Header without insert. At clips with 10 screw holes, fill the center two holes as well (6 total). At ProX Header with Insert fill all holes.
- Maximum gap between end of header and jamb to be ¼ inch.
- All clips are 54 mils.
- Values may not be increased by 33% for load combinations involving wind or seismic.



(2) #8 OR #10 SMS INSERT TO CLIP AS SHOWN.

(6) #8 OR #10 SMS CLIP TO JAMB AS SHOWN FOR 3-5/8" AND 4" STUDS.
 (10) #8 OR #10 SMS FOR 6" AND 8" STUDS.

(2) #8 OR #10 SMS EA. SIDE PRO-X TO CLIP [(4) TOTAL]

(2) #8 OR #10 SMS PRO-X TO CLIP

HEADER WITH INSERT TO JAMB



Expanding Your Solutions

Corporate Headquarters
 13191 Crossroads Pkwy N., Ste 325
 City of Industry, CA 91746
 Phone: 800.775.2362
 Fax: 626.330.7598

Manufacturing Facilities
 City of Industry, CA
 Denver, CO
 Ft. Worth, TX
 Pittsburg, CA

Structural Engineering/Design
 1001-A Pittsburgh Antioch Hwy
 Pittsburg, CA 94565
 Phone: 800.775.2362
 Fax: 626.330.7598

Technical Services
 13191 Crossroads Pkwy N., Ste 325
 City of Industry, CA 91746
 Phone: 800.416.2278
 Fax: 626.249.5004

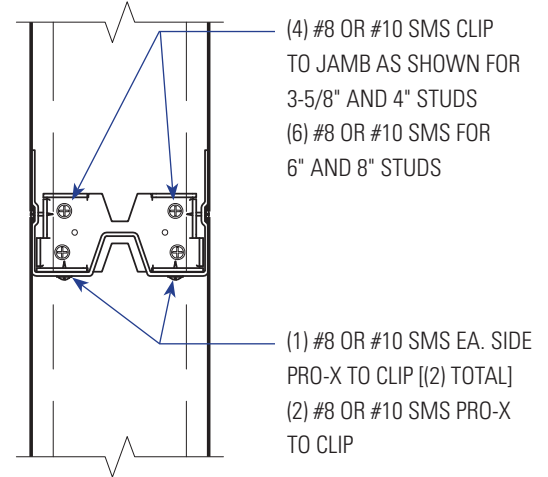
PRO-X HEADER®

ProX Header Clip Allowable Values: Without Insert, #10 Screw

ProX Header Outer Widths (in)	ProX Header Thickness (in)	Number of Fasteners Attaching ProX Header Clip to Vertical Rough Opening Support	Number of Screws Attaching ProX Header Outer to Clip	Allowable Values (pounds)	
				V (vertical)	V (horizontal)
3.625	33	4	4	442	483
3.625	43	4	4	631	506
3.625	54	4	4	793	531
3.625	68	4	4	793	531
4.000	33	4	4	442	558
4.000	43	4	4	631	711
4.000	54	4	4	861	734
4.000	68	4	4	861	734
6.000	33	6	4	544	574
6.000	43	6	4	775	759
6.000	54	6	4	1054	989
6.000	68	6	4	1054	989

For SI: 1 inch = 25.4 mm, 1 mil = 0.0254mm, 1 lb = 4.45 N.

- Notes:**
- Jamb member thickness to match or exceed ProX Header thickness.
 - Locate the screws from clip to jamb at the four corner holes of the clip when supporting a ProX Header without insert. At clips with 10 screw holes, fill the center two holes as well (6 total). At ProX Header with Insert fill all holes.
 - Maximum gap between end of header and jamb to be ¼ inch.
 - All clips are 54 mils.
 - Values may not be increased by 33% for load combinations involving wind or seismic.



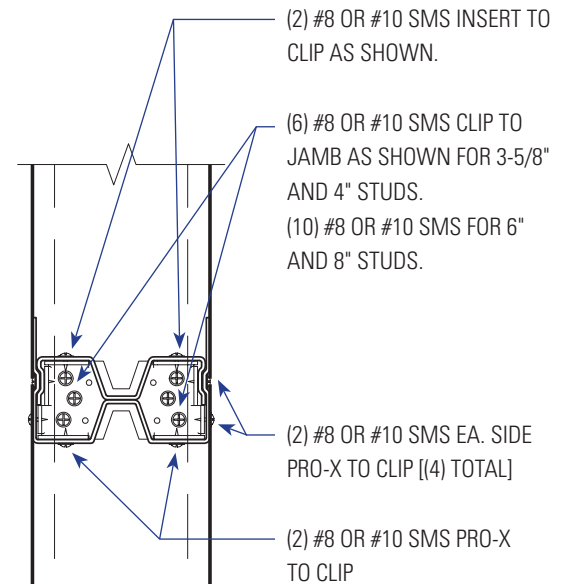
HEADER WITHOUT INSERT TO JAMB

ProX Header Clip Allowable Values: With Insert, #10 Screw

ProX Header Outer Widths (in)	ProX Header Thickness (in)	Number of Fasteners Attaching ProX Header Clip to Vertical Rough Opening Support	Number of Screws Attaching ProX Header Outer to Clip	Allowable Values (pounds)	
				V (vertical)	V (horizontal)
3.625	54	6	8	1708	784
3.625	68	6	8	1708	784
4.000	54	6	8	1848	1143
4.000	68	6	8	1848	1143
6.000	54	10	8	1892	1381
6.000	68	10	8	1892	1381

For SI: 1 inch = 25.4 mm, 1 mil = 0.0254mm, 1 lb = 4.45 N.

- Notes:**
- Jamb member thickness to match or exceed ProX Header thickness.
 - Locate the screws from clip to jamb at the four corner holes of the clip when supporting a ProX Header without insert. At clips with 10 screw holes, fill the center two holes as well (6 total). At ProX Header with Insert fill all holes.
 - Maximum gap between end of header and jamb to be ¼ inch.
 - All clips are 54 mils.
 - Values may not be increased by 33% for load combinations involving wind or seismic.



HEADER WITH INSERT TO JAMB



Expanding Your Solutions

Corporate Headquarters
13191 Crossroads Pkwy N., Ste 325
City of Industry, CA 91746
Phone: 800.775.2362
Fax: 626.330.7598

Manufacturing Facilities
City of Industry, CA
Denver, CO
Ft. Worth, TX
Pittsburg, CA

Structural Engineering/Design
1001-A Pittsburgh Antioch Hwy
Pittsburg, CA 94565
Phone: 800.775.2362
Fax: 626.330.7598

Technical Services
13191 Crossroads Pkwy N., Ste 325
City of Industry, CA 91746
Phone: 800.416.2278
Fax: 626.249.5004

PRO-X HEADER® SELECTION SCHEDULE

Table 9: Interior Header Schedule – IAPMO ER-0286 (IBC 2012/2015/2018, CBC 2013/2016/2019)

For use at 1-hour walls; 5/8" drywall full height each side of the wall. $I_p = 1.0$ & $S_{DS} = 2.48$ (max) or $I_p = 1.5$ & $S_{DS} = 1.65$ (max)

BUILDING CODE COMPLIANCE: IBC 2012/2015/2018, CBC 2013/2016
Out-of-plane loading to be 5 psf min. per IBC or CBC Section 1607.14 or as determined by the building parameters. The use of this chart is acceptable for the Importance Factor, $I_p = 1.0$ and Spectral Response Acceleration, $S_{DS} = 2.48$ (max), OR Importance Factor $I_p = 1.5$ and Spectral Response Acceleration, $S_{DS} = 1.65$ (max). This chart is also valid for Design Categories A-F. Deflection $L/240$ – One (1) layer gypsum board (each side) = 6 psf wall height - 5 psf transverse pressure - 24" o.c. (max) Stud Spacing

Opening Type	Deck Height	Wall Width Stud Size	ALLOWABLE SPAN: PRO-X HEADER SELECTION — INTERIOR OPENING SPAN				
			0' – 4' 6"	4' 7" – 6' 6"	6' 7" – 8' 6"	8' 7" – 10' 6"	10' 7" – 12' 0"
Typical Interior Door (or) Window HEAD @ 7'-0" tall or greater	UP TO 14' 0"	3-5/8" Studs = 362	362X425-33	362X425-43	362X425-54	362X425-68	362XTC425-68
		4" Studs = 400	400X425-33	400X425-43	400X425-54	400X425-68	400XTC425-54
		6" Studs = 600	600X425-33	600X425-43	600X425-54	600X425-68	600X425-68
	14' 1" – 16' 0"	3-5/8" Studs = 362	362X425-33	362X425-54	362X425-68	362XTC425-68	362XTC425-68
		4" Studs = 400	400X425-33	400X425-54	400X425-68	400XTC425-68	400XTC425-68
		6" Studs = 600	600X425-33	600X425-43	600X425-54	600X425-68	600XTC425-54
	16' 1" – 18' 0"	3-5/8" Studs = 362	362X425-43	362X425-54	362X425-68	362XTC425-68	N/A
		4" Studs = 400	400X425-43	400X425-54	400X425-68	400XTC425-54	N/A
		6" Studs = 600	600X425-33	600X425-54	600X425-68	600XTC425-54	600XTC425-68
	18' 1" – 20' 0"	3-5/8" Studs = 362	362X425-43	362X425-54	362XTC425-68	362XTC425-68	N/A
		4" Studs = 400	400X425-43	400X425-54	400XTC425-54	400XTC425-68	N/A
		6" Studs = 600	600X425-43	600X425-54	600X425-68	600XTC425-54	600XTC425-68

For SI: 1 inch = 25.4 mm, 1 mil = 0.0254 mm, 1 psf = 4.88 kg/m².

Notes:

- All Screws used to attach clips to jamb studs are No.8 Self-Tapping Waferhead Screws. No. 10 SMS (min. 3/4" long) are required at all 68 mil applications. Tables 7A, 7B, 8A, and 8B specify the number of screws in clip to jamb stud and header to clip.
- All Clips are 54 mil. / 16 gauge / All Fasteners / Screws can be installed in either direction (i.e. Clip to Jamb or Jamb to Clip)
- Product Nomenclature: Series X = ProX Header Member "without" insert i.e.: 362X425 - Series XTC = ProX Header Member "with" insert - i.e.: 362XTC425
- Product Nomenclature: 33mil. = 20 gauge, 43mil. = 18 gauge, 54mil. = 16 gauge, 68mil. = 14 gauge - i.e.: 362X425-54 = 16 gauge member
- The allowable transverse pressure of 5.0 psf is the maximum air pressure (such as in shaft walls) and also the maximum "Seismic Design Force" based on wall weight when using the IP and SDS in the Table above.

Table 12: Interior Header Schedule – IAPMO ER-0286 (IBC 2012/2015/2018, CBC 2013/2016/2019)

For use at 2-hour walls; two layers of 5/8" drywall full height each side of the wall. $I_p = 1.0$ & $S_{DS} = 1.35$ (max) or $I_p = 1.5$ & $S_{DS} = 0.902$ (max)

BUILDING CODE COMPLIANCE: IBC 2012/2015/2018, CBC 2013/2016
Out-of-plane loading to be 5 psf min. per IBC or CBC Section 1607.14 or as determined by the building parameters. The use of this chart is acceptable for the Importance Factor, $I_p = 1.0$ and Spectral Response Acceleration, $S_{DS} = 1.35$ (max), OR Importance Factor $I_p = 1.5$ and Spectral Response Acceleration, $S_{DS} = 0.902$ (max). This chart is also valid for Design Categories A-F. Deflection $L/240$ – Two (2) layers gypsum board (each side) = 11 psf wall height - 5 psf transverse pressure - 24" o.c. (max) Stud Spacing

Opening Type	Deck Height	Wall Width Stud Size	ALLOWABLE SPAN: PRO-X HEADER SELECTION — INTERIOR OPENING SPAN				
			0' – 4' 6"	4' 7" – 6' 6"	6' 7" – 8' 6"	8' 7" – 10' 6"	10' 7" – 12' 0"
Typical Interior Door (or) Window HEAD @ 7'-0" tall or greater	UP TO 14' 0"	3-5/8" Studs = 362	362X425-43	362X425-54	362X425-68	362XTC425-68	N/A
		4" Studs = 400	400X425-43	400X425-54	400X425-68	400XTC425-68	N/A
		6" Studs = 600	600X425-33	600X425-54	600X425-68	600XTC425-54	600XTC425-68
	14' 1" – 16' 0"	3-5/8" Studs = 362	362X425-43	362X425-68	362XTC425-54	N/A	N/A
		4" Studs = 400	400X425-43	400X425-68	400XTC425-54	N/A	N/A
		6" Studs = 600	600X425-43	600X425-54	600XTC425-54	600XTC425-68	N/A
	16' 1" – 18' 0"	3-5/8" Studs = 362	362X425-54	362X425-68	362XTC425-68	N/A	N/A
		4" Studs = 400	400X425-54	400X425-68	400XTC425-68	N/A	N/A
		6" Studs = 600	600X425-43	600X425-68	600XTC425-54	N/A	N/A
	18' 1" – 20' 0"	3-5/8" Studs = 362	362X425-54	362XTC425-54	N/A	N/A	N/A
		4" Studs = 400	400X425-54	400X425-68	400XTC425-68	N/A	N/A
		6" Studs = 600	600X425-54	600X425-68	600XTC425-68	N/A	N/A

For SI: 1 inch = 25.4 mm, 1 mil = 0.0254 mm, 1 psf = 4.88 kg/m².

Notes:

- All Screws used to attach clips to jamb studs are No. 8 Self-Tapping Waferhead Screws. No. 10 SMS (min. 3/4" long) are required at all 68 mil applications. Tables 7A, 7B, 8A, and 8B specify the number of screws in clip to jamb stud and header to clip.
- All Clips are 54 mil. / 16 gauge / All Fasteners / Screws can be installed in either direction (i.e. Clip to Jamb or Jamb to Clip)
- Product Nomenclature: Series X = ProX Header Member "without" insert i.e.: 362X425 - Series XTC = ProX Header Member "with" insert - i.e.: 362XTC425
- Product Nomenclature: 33mil. = 20 gauge, 43mil. = 18 gauge, 54mil. = 16 gauge, 68mil. = 14 gauge - i.e.: 362X425-54 = 16 gauge member
- The allowable transverse pressure of 5.0 psf is the maximum air pressure (such as in shaft walls) and also the maximum "Seismic Design Force" based on wall weight when using the IP and SDS in the Table above.

This technical information reflects the most current information available and supersedes any and all previous publications effective September 13, 2021.



Expanding Your Solutions

Corporate Headquarters
13191 Crossroads Pkwy N., Ste 325
City of Industry, CA 91746
Phone: 800.775.2362
Fax: 626.330.7598

Manufacturing Facilities
City of Industry, CA
Denver, CO
Ft. Worth, TX
Pittsburg, CA

Structural Engineering/Design
1001-A Pittsburgh Antioch Hwy
Pittsburg, CA 94565
Phone: 800.775.2362
Fax: 626.330.7598

Technical Services
13191 Crossroads Pkwy N., Ste 325
City of Industry, CA 91746
Phone: 800.416.2278
Fax: 626.249.5004

PRO-X HEADER® SELECTION SCHEDULE

Table 10: Interior Header Schedule – IAPMO ER-0286 (IBC 2012/2015/2018, CBC 2013/2016/2019)

For use at 1-hour walls; 5/8" drywall full height each side of the wall. $I_p = 1.0$ & $S_{DS} = 3.72$ (max) or $I_p = 1.5$ & $S_{DS} = 2.48$ (max)

BUILDING CODE COMPLIANCE: IBC 2012/2015/2018, CBC 2013/2016
Out-of-plane loading to be 5 psf min. per IBC or CBC Section 1607.14 or as determined by the building parameters. The use of this chart is acceptable for the Importance Factor, $I_p=1.0$ and Spectral Response Acceleration, $S_{DS} = 3.72$ (max), OR Importance Factor $I_p = 1.5$ and Spectral Response Acceleration, $S_{DS} = 2.48$ (max). This chart is also valid for Design Categories A-F. Deflection $L/240$ – One (1) layer gypsum board (each side) = 6 psf wall height - 7.5 psf transverse pressure - 24" o.c. (max) Stud Spacing

Opening Type	Deck Height	Wall Width Stud Size	ALLOWABLE SPAN: PRO-X HEADER SELECTION — INTERIOR OPENING SPAN				
			0' – 4' 6"	4' 7" – 6' 6"	6' 7" – 8' 6"	8' 7" – 10' 6"	10' 7" – 12' 0"
Typical Interior Door (or) Window HEAD @ 7'-0" tall or greater	UP TO 14' 0"	3-5/8" Studs = 362	362X425-33	362X425-54	362X425-68	362XTC425-54	362XTC425-68
		4" Studs = 400	400X425-33	400X425-54	400X425-54	400XTC425-54	400XTC425-54
		6" Studs = 600	600X425-33	600X425-43	600X425-54	600X425-54	600XTC425-54
	14' 1" – 16' 0"	3-5/8" Studs = 362	362X425-43	362X425-54	362X425-68	362XTC425-68	362XTC425-68
		4" Studs = 400	400X425-33	400X425-54	400X425-54	400XTC425-54	400XTC425-68
		6" Studs = 600	600X425-33	600X425-54	600X425-68	600XTC425-54	600XTC425-54
	16' 1" – 18' 0"	3-5/8" Studs = 362	362X425-43	362X425-54	362XTC425-54	362XTC425-68	N/A
		4" Studs = 400	400X425-43	400X425-54	400X425-54	400XTC425-54	N/A
		6" Studs = 600	600X425-33	600X425-54	600X425-68	600XTC425-54	600XTC425-68
	18' 1" – 20' 0"	3-5/8" Studs = 362	362X425-43	362X425-68	362XTC425-54	N/A	N/A
		4" Studs = 400	400X425-43	400X425-54	400XTC425-54	400XTC425-68	N/A
		6" Studs = 600	600X425-43	600X425-54	600X425-68	600XTC425-54	600XTC425-68

For SI: 1 inch = 25.4 mm, 1 mil = 0.0254 mm, 1 psf = 4.88 kg/m².

Notes:

- All Screws used to attach clips to jamb studs are No.8 Self-Tapping Waferhead Screws. No. 10 SMS (min. 3/4" long) are required at all 68 mil applications. Tables 7A, 7B, 8A, and 8B specify the number of screws in clip to jamb stud and header to clip.
- All Clips are 54 mil. / 16 gauge / All Fasteners / Screws can be installed in either direction (i.e. Clip to Jamb or Jamb to Clip)
- Product Nomenclature: Series X = ProX Header Member "without" insert i.e.: 362X425 - Series XTC = ProX Header Member "with" insert - i.e.: 362XTC425
- Product Nomenclature: 33mil. = 20 gauge, 43mil. = 18 gauge, 54mil. = 16 gauge, 68mil. = 14 gauge - ie: 362X425-54 = 16 gauge member
- The allowable transverse pressure of 7.5 psf is the maximum air pressure (such as in shaft walls) and also the maximum "Seismic Design Force" based on wall weight when using the IP and SDS in the Table above.

Table 13: Interior Header Schedule – IAPMO ER-0286 (IBC 2012/2015/2018, CBC 2013/2016/2019)

For use at 2-hour walls; two layers of 5/8" drywall full height each side of the wall. $I_p = 1.0$ & $S_{DS} = 2.03$ (max) or $I_p = 1.5$ & $S_{DS} = 4.97$ (max)

BUILDING CODE COMPLIANCE: IBC 2012/2015/2018, CBC 2013/2016
Out-of-plane loading to be 5 psf min. per IBC or CBC Section 1607.14 or as determined by the building parameters. The use of this chart is acceptable for the Importance Factor, $I_p=1.0$ and Spectral Response Acceleration, $S_{DS} = 2.03$ (max), OR Importance Factor $I_p = 1.5$ and Spectral Response Acceleration, $S_{DS} = 1.35$ (max). This chart is also valid for Design Categories A-F. Deflection $L/240$ – One (1) layer gypsum board (each side) = 11 psf wall height - 7.5 psf transverse pressure - 24" o.c. (max) Stud Spacing

Opening Type	Deck Height	Wall Width Stud Size	ALLOWABLE SPAN: PRO-X HEADER SELECTION — INTERIOR OPENING SPAN				
			0' – 4' 6"	4' 7" – 6' 6"	6' 7" – 8' 6"	8' 7" – 10' 6"	10' 7" – 12' 0"
Typical Interior Door (or) Window HEAD @ 7'-0" tall or greater	UP TO 14' 0"	3-5/8" Studs = 362	362X425-43	362X425-54	362XTC425-54	362XTC425-68	N/A
		4" Studs = 400	400X425-43	400X425-54	400XTC425-54	400XTC425-68	N/A
		6" Studs = 600	600X425-43	600X425-54	600X425-68	600XTC425-54	600XTC425-68
	14' 1" – 16' 0"	3-5/8" Studs = 362	362X425-54	362X425-68	362XTC425-68	N/A	N/A
		4" Studs = 400	400X425-43	400X425-68	400XTC425-54	N/A	N/A
		6" Studs = 600	600X425-43	600X425-54	600XTC425-54	600XTC425-68	N/A
	16' 1" – 18' 0"	3-5/8" Studs = 362	362X425-54	362X425-68	362XTC425-68	N/A	N/A
		4" Studs = 400	400X425-54	400X425-68	400XTC425-68	N/A	N/A
		6" Studs = 600	600X425-54	600X425-68	600XTC425-54	N/A	N/A
	18' 1" – 20' 0"	3-5/8" Studs = 362	362X425-54	362XTC425-54	N/A	N/A	N/A
		4" Studs = 400	400X425-54	400XTC425-54	400XTC425-68	N/A	N/A
		6" Studs = 600	600X425-54	600X425-68	600XTC425-68	N/A	N/A

For SI: 1 inch = 25.4 mm, 1 mil = 0.0254 mm, 1 psf = 4.88 kg/m².

Notes:

- All Screws used to attach clips to jamb studs are No. 8 Self-Tapping Waferhead Screws. No. 10 SMS (min. 3/4" long) are required at all 68 mil applications. Tables 7A, 7B, 8A, and 8B specify the number of screws in clip to jamb stud and header to clip.
- All Clips are 54 mil. / 16 gauge / All Fasteners / Screws can be installed in either direction (i.e. Clip to Jamb or Jamb to Clip)
- Product Nomenclature: Series X = ProX Header Member "without" insert i.e.: 362X425 - Series XTC = ProX Header Member "with" insert - i.e.: 362XTC425
- Product Nomenclature: 33mil. = 20 gauge, 43mil. = 18 gauge, 54mil. = 16 gauge, 68mil. = 14 gauge - ie: 362X425-54 = 16 gauge member
- The allowable transverse pressure of 7.5 psf is the maximum air pressure (such as in shaft walls) and also the maximum "Seismic Design Force" based on wall weight when using the IP and SDS in the Table above.

This technical information reflects the most current information available and supersedes any and all previous publications effective September 13, 2021.



Expanding Your Solutions

Corporate Headquarters
13191 Crossroads Pkwy N., Ste 325
City of Industry, CA 91746
Phone: 800.775.2362
Fax: 626.330.7598

Manufacturing Facilities
City of Industry, CA
Denver, CO
Ft. Worth, TX
Pittsburg, CA

Structural Engineering/Design
1001-A Pittsburgh Antioch Hwy
Pittsburg, CA 94565
Phone: 800.775.2362
Fax: 626.330.7598

Technical Services
13191 Crossroads Pkwy N., Ste 325
City of Industry, CA 91746
Phone: 800.416.2278
Fax: 626.249.5004

PRO-X HEADER® SELECTION SCHEDULE

Table 11: Interior Header Schedule – IAPMO ER-0286 (IBC 2012/2015/2018, CBC 2013/2016/2019)

For use at 2-hour walls; 5/8" drywall full height each side of the wall. $I_p = 1.0$ & $S_{DS} = 4.97$ (max) or $I_p = 1.5$ & $S_{DS} = 3.31$ (max)

BUILDING CODE COMPLIANCE: IBC 2012/2015/2018, CBC 2013/2016
Out-of-plane loading to be 5 psf min. per IBC or CBC Section 1607.14 or as determined by the building parameters. The use of this chart is acceptable for the Importance Factor, $I_p=1.0$ and Spectral Response Acceleration, $S_{DS} = 4.97$ (max), OR Importance Factor $I_p = 1.5$ and Spectral Response Acceleration, $S_{DS} = 3.31$ (max). This chart is also valid for Design Categories A-F. Deflection $L/240$ – One (1) layer gypsum board (each side) = 6 psf wall height - 10.0 psf transverse pressure - 24" o.c. (max) Stud Spacing

Opening Type	Deck Height	Wall Width Stud Size	ALLOWABLE SPAN: PRO-X HEADER SELECTION — INTERIOR OPENING SPAN				
			0' – 4' 6"	4' 7" – 6' 6"	6' 7" – 8' 6"	8' 7" – 10' 6"	10' 7" – 12' 0"
Typical Interior Door (or) Window HEAD @ 7'-0" tall or greater	UP TO 14' 0"	3-5/8" Studs = 362	362X425-33	362X425-54	362X425-68	362XTC425-54	362XTC425-68
		4" Studs = 400	400X425-33	400X425-54	400X425-68	400XTC425-54	400XTC425-68
		6" Studs = 600	600X425-33	600X425-43	600X425-54	600X425-68	600XTC425-54
	14' 1" – 16' 0"	3-5/8" Studs = 362	362X425-43	362X425-54	362X425-68	362XTC425-68	N/A
		4" Studs = 400	400X425-43	400X425-54	400X425-68	400XTC425-68	400XTC425-68
		6" Studs = 600	600X425-33	600X425-54	600X425-68	600XTC425-54	600XTC425-54
	16' 1" – 18' 0"	3-5/8" Studs = 362	362X425-43	362X425-54	362XTC425-54	362XTC425-68	N/A
		4" Studs = 400	400X425-43	400X425-54	400XTC425-54	400XTC425-68	N/A
		6" Studs = 600	600X425-33	600X425-54	600X425-68	600XTC425-54	600XTC425-68
	18' 1" – 20' 0"	3-5/8" Studs = 362	362X425-54	362X425-68	362XTC425-54	N/A	N/A
		4" Studs = 400	400X425-43	400X425-68	400XTC425-54	N/A	N/A
		6" Studs = 600	600X425-43	600X425-54	600XTC425-54	600XTC425-54	600XTC425-68

For SI: 1 inch = 25.4 mm, 1 mil = 0.0254 mm, 1 psf = 4.88 kg/m².

Notes:

- All Screws used to attach clips to jamb studs are No.8 Self-Tapping Waferhead Screws. No. 10 SMS (min. 3/4" long) are required at all 68 mil applications. Tables 7A, 7B, 8A, and 8B specify the number of screws in clip to jamb stud and header to clip.
- All Clips are 54 mil. / 16 gauge / All Fasteners / Screws can be installed in either direction (i.e. Clip to Jamb or Jamb to Clip)
- Product Nomenclature: Series X = ProX Header Member "without" insert i.e.: 362X425 - Series XTC = ProX Header Member "with" insert - i.e.: 362XTC425
- Product Nomenclature: 33mil. = 20 gauge, 43mil. = 18 gauge, 54mil. = 16 gauge, 68mil. = 14 gauge - ie: 362X425-54 = 16 gauge member
- The allowable transverse pressure of 10.0 psf is the maximum air pressure (such as in shaft walls) and also the maximum "Seismic Design Force" based on wall weight when using the IP and SDS in the Table above.

Table 14: Interior Header Schedule – IAPMO ER-0286 (IBC 2012/2015/2018, CBC 2013/2016/2019)

For use at 2-hour walls; two layers of 5/8" drywall full height each side of the wall. $I_p = 1.0$ & $S_{DS} = 2.70$ (max) or $I_p = 1.5$ & $S_{DS} = 1.80$ (max)

BUILDING CODE COMPLIANCE: IBC 2012/2015/2018, CBC 2013/2016
Out-of-plane loading to be 5 psf min. per IBC or CBC Section 1607.14 or as determined by the building parameters. The use of this chart is acceptable for the Importance Factor, $I_p=1.0$ and Spectral Response Acceleration, $S_{DS} = 2.70$ (max), OR Importance Factor $I_p = 1.5$ and Spectral Response Acceleration, $S_{DS} = 1.80$ (max). This chart is also valid for Design Categories A-F. Deflection $L/240$ – One (1) layer gypsum board (each side) = 11 psf wall height - 10.0 psf transverse pressure - 24" o.c. (max) Stud Spacing

Opening Type	Deck Height	Wall Width Stud Size	ALLOWABLE SPAN: PRO-X HEADER SELECTION — INTERIOR OPENING SPAN				
			0' – 4' 6"	4' 7" – 6' 6"	6' 7" – 8' 6"	8' 7" – 10' 6"	10' 7" – 12' 0"
Typical Interior Door (or) Window HEAD @ 7'-0" tall or greater	UP TO 14' 0"	3-5/8" Studs = 362	362X425-43	362X425-68	362XTC425-54	N/A	N/A
		4" Studs = 400	400X425-43	400X425-54	400XTC425-54	400XTC425-68	N/A
		6" Studs = 600	600X425-43	600X425-54	600X425-68	600XTC425-54	600XTC425-68
	14' 1" – 16' 0"	3-5/8" Studs = 362	362X425-54	362X425-68	362XTC425-68	N/A	N/A
		4" Studs = 400	400X425-54	400X425-68	400XTC425-68	N/A	N/A
		6" Studs = 600	600X425-43	600X425-54	600XTC425-54	600XTC425-68	N/A
	16' 1" – 18' 0"	3-5/8" Studs = 362	362X425-54	362XTC425-54	362XTC425-68	N/A	N/A
		4" Studs = 400	400X425-54	400X425-68	400XTC425-68	N/A	N/A
		6" Studs = 600	600X425-54	600X425-68	600XTC425-54	N/A	N/A
	18' 1" – 20' 0"	3-5/8" Studs = 362	362X425-54	362XTC425-54	N/A	N/A	N/A
		4" Studs = 400	400X425-54	400XTC425-54	N/A	N/A	N/A
		6" Studs = 600	600X425-54	600X425-68	600XTC425-68	N/A	N/A

For SI: 1 inch = 25.4 mm, 1 mil = 0.0254 mm, 1 psf = 4.88 kg/m².

Notes:

- All Screws used to attach clips to jamb studs are No.8 Self-Tapping Waferhead Screws. No. 10 SMS (min. 3/4" long) are required at all 68 mil applications. Tables 7A, 7B, 8A, and 8B specify the number of screws in clip to jamb stud and header to clip.
- All Clips are 54 mil. / 16 gauge / All Fasteners / Screws can be installed in either direction (i.e. Clip to Jamb or Jamb to Clip)
- Product Nomenclature: Series X = ProX Header Member "without" insert i.e.: 362X425 - Series XTC = ProX Header Member "with" insert - i.e.: 362XTC425
- Product Nomenclature: 33mil. = 20 gauge, 43mil. = 18 gauge, 54mil. = 16 gauge, 68mil. = 14 gauge - ie: 362X425-54 = 16 gauge member
- The allowable transverse pressure of 10.0 psf is the maximum air pressure (such as in shaft walls) and also the maximum "Seismic Design Force" based on wall weight when using the IP and SDS in the Table above.

This technical information reflects the most current information available and supersedes any and all previous publications effective September 13, 2021.