



Expanding Your Solutions



SIMPSON Strong-Tie® Clips and Connectors for Cold-Formed Steel Construction

Table of Contents

| | |
|---|----|
| Introduction | 1 |
| Bypass Framing Slide-Clip Connectors | |
| SCB/MSCB | 2 |
| SC | 3 |
| IDBC | 4 |
| SSB | 5 |
| SCHA | 5 |
| Bridging and Bracing Clips | |
| LSUBH | 6 |
| SUBH | 6 |
| MSUBH | 6 |
| DBC | 6 |
| SBR | 7 |
| DBR | 7 |
| Head of Wall Clips | |
| SCW | 8 |
| DTC | 8 |
| Fixed Clips | |
| FCB | 9 |
| FC | 10 |
| FSB | 10 |
| Joist Clips | |
| SJC | 11 |
| MSJC | 11 |
| Utility Clips | |
| RCA | 12 |
| SSC | 13 |
| SFC (LSFC Similar) | 14 |
| L30/50/70/90 | 15 |
| S/LS550 & 70 | 15 |
| Kneewall Connectors | |
| RCKW | 16 |
| RCKWS | 16 |
| MSSCKW | 17 |

Technical Support

CEMCO Technical Services Department
800-416-4118
www.cemcosteel.com

Simpson Strong-Tie Technical Support
800-999-5099
www.strongtie.com
www.strongtie.com/coldformedsteelconnectors/category

Standard Terms and Conditions

Full carton and bucket quantities only.

Free LTL shipping on orders \$1500 or greater.

Standard return policy applies, contact your CEMCO sales representative prior to submitting returns.

Disclaimer

All data, specifications, and details contained in this publication are intended as a general guide for using CEMCO cold-formed steel framing products and accessories. These products are not to be used in design or construction without an independent evaluation by a licensed and qualified engineer or architect to verify the suitability of a particular product for use in a specific application. CEMCO and its entities assume no liability for failure resulting from the use or misapplication of computations, detail drawings, and specifications contained herein. This publication contains the latest information available at the time of printing. CEMCO and its entities reserve the right to make changes or modifications to the materials of any of its products without out prior notice or obligation. Contact CEMCO at 800-775-2362 or www.cemcosteel.com for the latest information on these or any other CEMCO products.

Introduction

CEMCO has partnered with the industry leader in cold-formed steel framing clips and connectors Simpson Strong-Tie® to provide one-stop shopping for all of your steel framing needs. With more than 100 years of combined success, CEMCO and Simpson Strong-Tie are committed to providing to the construction industry the highest quality products backed by some of the most respected engineering and technical support groups available. By providing code-compliant

clips and connectors with our complete line of code-compliant steel framing products, we are confident that YOUR projects will exceed even YOUR expectations. Contact your local CEMCO sales or customer service representative and add Simpson Strong-Tie clips and connectors to your order TODAY!



Engineering Services

The CEMCO Structural Engineering division provides solutions that make sure your buildings are designed to current codes and specifications. Our methodology helps you control costs and keep your projects on schedule. We work closely with owners, designers, and contractors to facilitate efficient project execution.

The structural engineering division uses state-of-the-art software and technologies to streamline the request, design, and issuance process that cut costs and save time on your projects.

Contact the CEMCO Structural Engineering division at **925.473.9340** or **www.cemcoengineering.com** for assistance in designing Simpson Strong-Tie® clips and connectors into your project!



LEED® Information

LEED v4 for Building and Design Construction

- MR Prerequisite: Construction and Demolition Waste Management Planning.
- MR Credit: Construction and Demolition Waste Management.
- MR Credit: Building Product Disclosure and Optimization – Sourcing of Raw Materials, Option 2.
- MR Credit: Building Product Disclosure and Optimization – Material Ingredients, Option 1.
- MR Credit: Building Life-Cycle Impact Reduction, Option 4.

Recycled Content

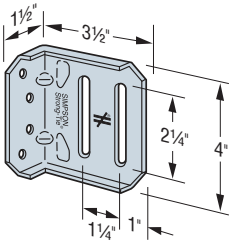
- Total Recycled Content: 36.9%
- Post-Consumer: 19.8%
- Pre-Consumer: 14.4%



View more information on CEMCO/LEED.

Bypass Framing Slide-Clip Connectors

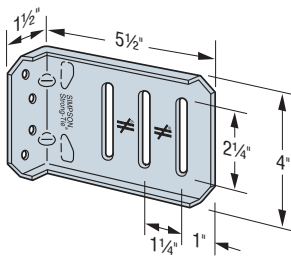
SCB43.5



The SCB/MSCB slide-clip connectors are high-performance connectors for bypass framing applications designed to reduce design time and overall installed cost. Various anchorage methods have been tested, and the resulting allowable loads eliminate the need to design connector anchorage. The SCB/MSCB can accommodate applications that typically require two parts with a single connector, reducing material and labor cost.

These connectors are manufactured in five different lengths to accommodate a variety of stand-off conditions and steel-stud sizes.

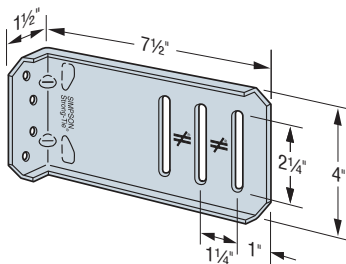
SCB45.5



Key Features

- Provides a full 1" of both upward and downward movement.
- The precision-manufactured shouldered screws provided with the SCB/MSCB connector are designed to prevent overdriving and to ensure the clip functions properly.
- Strategically placed stiffeners, embossments and anchor holes maximize connector performance.
- Simpson Strong-Tie® "No-Equal" stamps mark the center of the slots to help ensure correct shouldered-screw placement. Material: SCB – 54 mil (16 ga.); MSCB – 68 mil (14 ga.) Finish: Galvanized (G90).

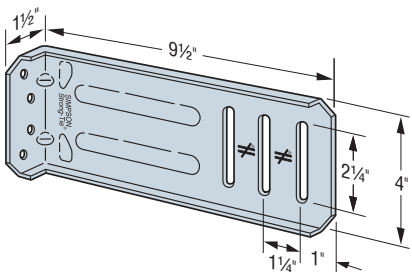
SCB47.5



Installation

- Use the specified type and number of anchors.
- Use the specified number of #14 shouldered screws (included). Install shouldered screws in the slots adjacent to the "No-Equal" stamp.
- Use a maximum of 1 screw per slot.

SCB49.5



Ordering Information

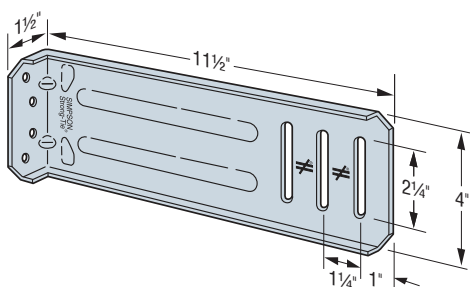
SCB43.5-KT contains:

- 25 connectors
- (55) #14 shouldered screws

SCB45.5-KT, MSCB45.5-KT, SCB47.5-KT, MSCB47.5-KT, SCB49.5-KT and SCB411.5-KT contain:

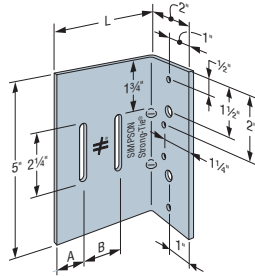
- 25 connectors
- (83) XLSH34B1414 #14 shouldered screws

SCB411.5

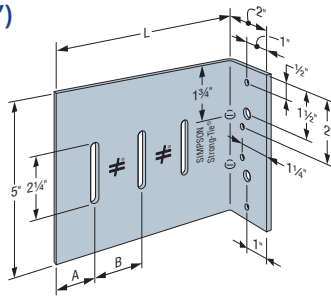


Bypass Framing Slide-Clip Connectors (continued)

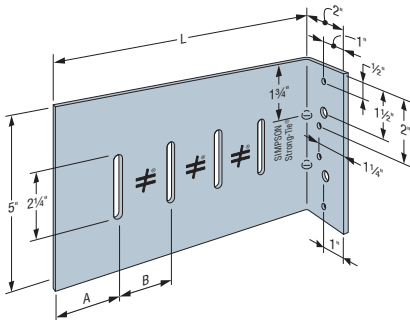
SC32 (L = 3-1/2")



SC62 (L = 6")



SC82 (L = 8")



Ideal for high-seismic areas, Simpson Strong-Tie® SC connectors are the optimal solution for slide-clip bypass framing. SC clips are often welded to the structure in high-seismic zones, but they also feature anchorage holes so that concrete screws or powder-actuated fasteners can be used to attach the clip to the structure. In addition to anchorage versatility, the SC clips include “No-Equal” stamps at the center of the slots to ensure proper shouldered screw placement.

SC connectors are manufactured using heavy-duty 10- and 12-gauge steel to provide exceptional resistance to in-plane seismic load.

- Material: 50 ksi
- Finish: Galvanized (G90)

Key Features

- The clips come in lengths of 3-1/2", 6" and 8" for use with 3-5/8", 6" and 8" studs respectively.
- The maximum stand-off distance is 1" for 3-5/8" studs and 1-1/2" for 6" and 8" studs.
- Provides a full 3/4" of both upward and downward deflection.
- Embossments in the bendline provide increased strength and stiffness in the F1 and F2 load directions, but are positioned towards the center of the clip so that 1-1/2" long welds can be applied at the top and bottom of the clip.
- Prepunched large-diameter anchor holes accommodate 1/4"-diameter concrete screws like the Simpson Strong-Tie Titen HD®.
- Prepunched small-diameter anchor holes accommodate powder-actuated fasteners like the 0.157"-diameter Simpson Strong-Tie PDPAT or the #12 self-drilling Simpson Strong-Tie Strong-Drive® XL Large-Head Metal screw.
- Precision-manufactured shouldered screws, provided with SC connectors, are designed to prevent overdriving and to ensure the clip functions properly.

Installation

- Use the specified type and number of anchors.
- Use the specified number of XLSH78B1414 #14 shouldered screws (included). Install the screws in the slots adjacent to the “No-Equal” stamps.
- Use one shouldered screw per slot (maximum).
- See previous page for included shouldered screws per carton.

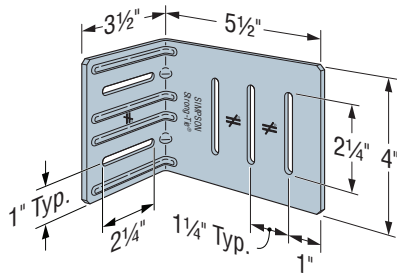
Ordering Information and Dimensions

| Model Number | Ordering SKU | Thickness mil (ga.) | L (in.) | A (in.) | B (in.) |
|--------------|-----------------|---------------------|---------|---------|---------|
| SC32-5/97 | SC32-5/97-KT25 | 97 (12) | 3-1/2 | 7/8 | 1-1/4 |
| SC62-5/97 | SC62-5/97-KT25 | 97 (12) | 6 | 1-1/8 | 1-1/2 |
| SC62-5/118 | SC62-5/118-KT25 | 118 (10) | 6 | 1-1/8 | 1-1/2 |
| SC82-5/118 | SC82-5/118-KT25 | 118 (10) | 8 | 1-5/8 | 1-1/2 |

Note: Each box contains (25) connectors and enough shouldered screws for installation.

Bypass Framing Slide-Clip Connectors (continued)

IDCB45.5



The IDCB drift-clip connector is used to secure bypass stud framing to the edge of a slab. The connector will accommodate 1" of lateral drift in each direction and 1" of upward and downward vertical deflection. Tested load values are provided for anchorage to a steel edge angle using #12 x 1 1/4" Strong-Drive® XL Large-Head Metal screws.

- Material: 97 mil (12 ga.)
- Finish: Galvanized (G90)

Key Features

- Horizontal embossments and corner gussets optimize performance in the F2 load direction.
- Precision-manufactured shouldered screws provided with the IDCB connector are designed to prevent overdriving and to ensure that the clip functions properly.
- Simpson Strong-Tie® No-Equal stamps mark the center of the slots to help ensure correct shouldered screw and anchor placement.

Ordering Information

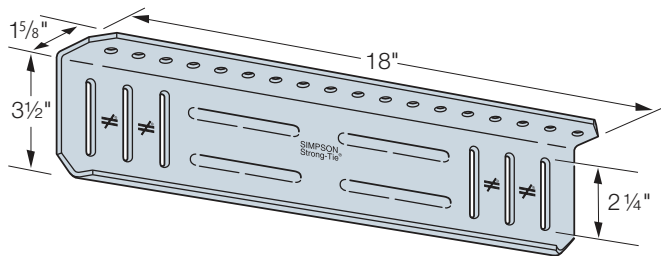
IDCB45.5-KT25 contains:

- (25) IDCB45.5 connectors and (83) XLSH78B1414 shouldered screws.

NOTE: XLQ114B1224 screw for anchorage to steel edge angle (sold separately).

Bypass Framing Slide-Clip Connectors (continued)

SSB3.518



The SSB connector is a versatile strut connector that is commonly used at the bottom of a steel beam to accommodate large stand-off conditions.

- Material: 54 mil (16 ga.)
- Finish: Galvanized (G90)

Key Features

- It accommodates 1" of upward and 1" of downward movement.

Installation

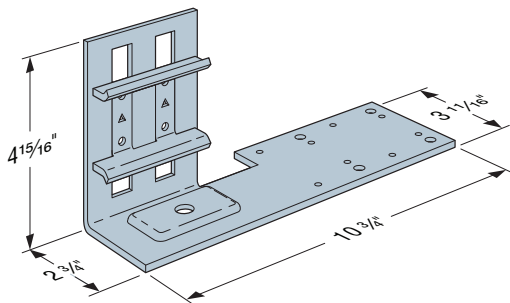
- Use the specified type and number of anchors.
- Use the specified number of #14 shouldered screws (included). Install shouldered screws in the slots adjacent to the "No-Equal" stamp.
- Use a maximum of 1 screw per slot.
- If the SSB intrudes on interior space, it can be trimmed. The trimmed part shall allow an edge distance from the center of the nearest anchor to the end of the trimmed part of 1/2" or greater.

Ordering Information

SSB3.518-KT contains:

- Box of 25 connectors
- 83 shouldered screw

SCHA



Introducing the Simpson Strong-Tie® SCHA slide-clip connector — an ideal solution for panelized or stick-frame construction where cold-formed steel bypass framing anchors to the top of a floor slab or the bottom flange of a steel beam. Testing shows that anchorage method and placement have significant impact on the buckling capacity of the anchored leg. For this reason, we developed and tested the SCHA connector to accommodate several different anchorage methods to concrete and steel. The connector even features a wider support leg to decrease eccentricity on anchors and provide a variety of anchorage options. The included SCVS slider provides superior rotational support to the vertical leg of the SCHA connector, helping to improve the buckling performance of the anchored leg.

Ordering Information

SCHA10.75-KT15 contains:

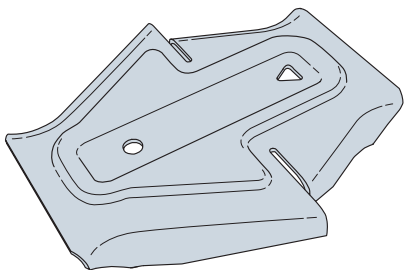
- (15) SCHA 10.75 connectors and (15) SCVS/97 sliders

SCVS/97-R15 contains:

- (15) SCVS/97 sliders

Bridging and Bracing Clips

LSUBH (20 ga.)



LSUBH bridging connectors offer a lower-cost option to our popular SUBH/MSUBH u-channel bridging connectors. The LSUBH connector provides all the installation benefits of the SUBH/MSUBH connectors, and is suitable for many wind-bearing and load-bearing situations where the load demand is light to moderate.

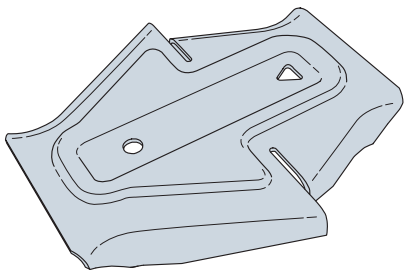
Key Features

- Many applications require only one-screw installation.
- Accommodates industry standard 1.5" u-channel.
- Accommodates 3-5/8", 6" and 8" studs in thicknesses of 33 mil (20 ga.) through 54 mil (16 ga.).
- Tested to include stud-web strength and stiffness in the tabulated design values.

Ordering Information

LSUBH3.25-R150 (Bucket of 150)

SUBH (18 ga.) / MSUBH (14 ga.)



The latest innovations from Simpson Strong-Tie for cold-formed steel (CFS) framing are the SUBH and MSUBH wall stud bridging connectors. Through enhanced product design, these connectors can reduce labor costs and increase installation productivity.

Key Features

- Installed easily by a single installer.
- Many applications require only one screw.
- Tested to include stud-web strength and stiffness in the tabulated design values.
- Design values ensure compliance with AISI S100 Sections D3.2.1 and D3.3 for axially and laterally loaded studs.
- Flexible design solutions for web thicknesses of 33 mil (20 ga.) through 97 mil (12 ga.) and stud sizes from 3-5/8" to 8".
- Compact profile allows standard 1-5/8" studs to be sistered directly against adjacent studs.
- MSUBH accommodates back-to-back built-up members ranging from 33 mil (20 ga.) to 54 mil (16 ga.).

Ordering Information

SUBH3.25-R150 (Bucket of 150), MSUBH3.25-R100 (Bucket of 100)

DBC



Patented design allows for 1 or 2 screw installation of the DBC, significantly reducing labor and material cost. The first and only connector load rated for 3/4" u-channel, the DBC joins the SUBH line of bridging connectors tested as a system, ensuring that published design capacities capture the influence of stud web depth and thickness.

Key Features

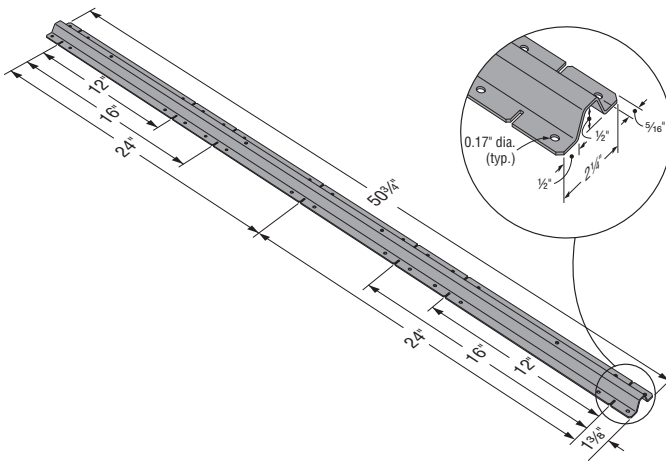
- Most applications require only a single screw.
- Designed for 3/4" u-channel to fit smaller web knockouts common to drywall studs.
- Compatible with drywall stud depths of 3-5/8" and 6" with 1-1/2" wide knockouts.

Ordering Information

DBC2.5-R200 (Bucket of 200)

Bridging and Bracing Clips (continued)

SBR



Simpson Strong-Tie introduces the SBR and DBR spacer bracers for cold-formed steel construction. These spacer bracers reduce the installed cost of cold-formed steel stud walls by enabling faster stud layout while minimizing the need for bridging clips.

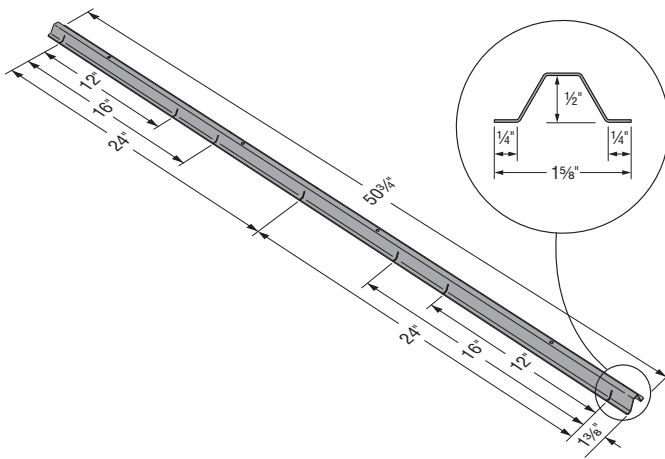
The DBR is used for interior walls to allow for quicker drywall attachment, while the SBR is designed for structural exterior walls. Both products provide bracing along the length of the stud, and for head-of-wall slip conditions. The SBR and DBR also come with prepunched slots that eliminate the need to use bridging clips with on-module studs.

The SBR and DBR spacer bracers come with bracing load data based on assembly testing, thus mitigating risk for designers and maximizing confidence in design specs. In fact, the SBR and DBR are the only spacer bracers on the market with tabulated design values based on assembly tests.

Key Features

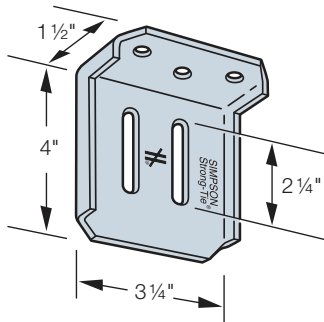
- SBR and DBR have patent-pending precision-engineered prepunched slots strategically located to enable 12", 16" and 24" on-center stud spacing and can be used to space the studs without having to mark the top track for layout.
- The SBR will accommodate 3-5/8" and 6" studs in thicknesses of 33 mil (20 ga.) thru 68 mil (14 ga.).
- The DBR will accommodate 2-1/2", 3 5/8" and 6" studs in thicknesses of 15 mil (25 ga. EQ) through 33 mil (20 ga.).
- Prepunched holes in the SBR provide rapid screw installation when spacer bracer splices are needed for axial load-bearing studs.
- In off-layout or end-of run conditions, the hat-section profiles enable clip attachments to the stud with Simpson Strong-Tie® LSSC or RCA connectors.

DBR



Head of Wall Clips

SCW3.25



The SCW connectors offer 1" of upward and 1" of downward movement. They are primarily used in head-of-wall applications that require vertical movement relative to the structure. SCW connectors are often used to strengthen window and door jambs for projects that utilize slip track.

- Material: 54 mil (16 ga.)
- Finish: Galvanized (G90)

Installation

- Use the specified type and number of anchors.
- Use the specified number of #14 shouldered screws (included). Install shouldered screws in the slots adjacent to the "No-Equal" stamp.
- Use a maximum of 1 screw per slot.

Ordering Information

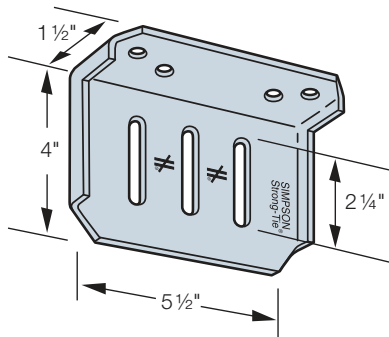
SCW3.25-KT contains:

- Box of 25 connectors
- 55 shouldered screws

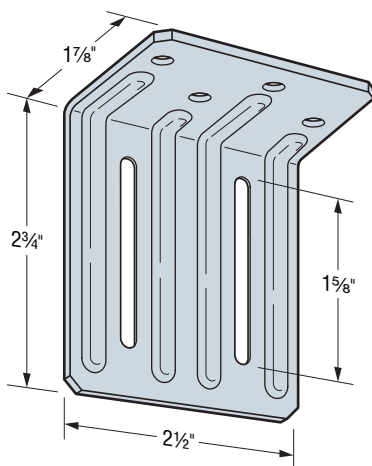
SCW5.5-KT contains:

- Box of 25 connectors
- 83 shouldered screws

SCW5.5



DTC



DTC clips are a cost-effective solution for light-duty, head-of-wall slide clip applications. The 1-5/8" slot will allow 3/4" movement in each direction.

- Material: 43 mil (18 ga.)
- Finish: Galvanized (G90)

Installation

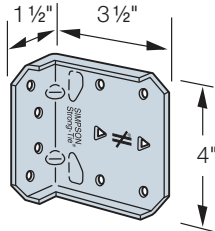
- Use specified type and number of anchors per the installation drawing below.
- Install (2) #8 screws centered in the vertical slots.

Ordering Information

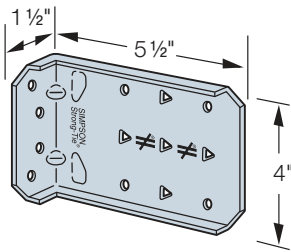
- 100 pieces per carton.

Fixed Clips

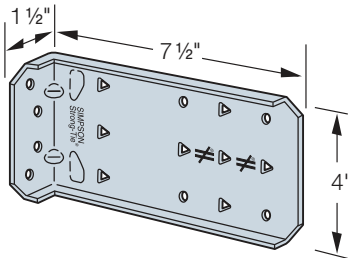
FCB43.5



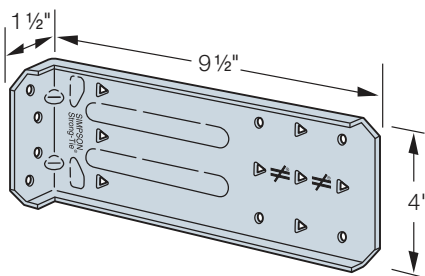
FCB45.5



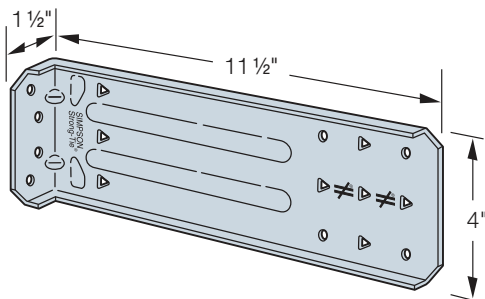
FCB47.5



FCB49.5



FCB411.5



The FCB clip is an economical, high-performance fixed-clip connector that can be used for a variety of framing applications. It is rated for tension, compression, shear and in-plane loads and offers the Designer the flexibility of specifying different screw and anchorage patterns that conform to desired load levels.

- Material: 54 mil (16 ga).
- Finish: Galvanized (G90).

Key Features

- Rated for tension, compression, shear and in-plane loads.
- Provides design flexibility with varying screw and anchorage patterns that achieve different load levels.
- Strategically placed stiffeners, embossments and anchor holes maximize connector performance.

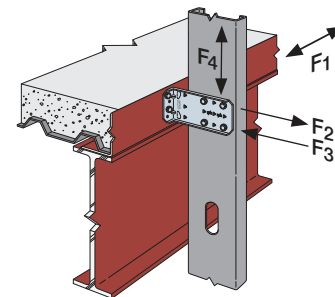
Installation

- Use the specified type and number of anchors.
- Use the specified number of #12 self-drilling screws to CFS framing.

Ordering Information

FCB43.5-R25, FCB45.5-R25, FCB47.5-R25, FCB49.5-R25, and FCB411.5-R25 contain:

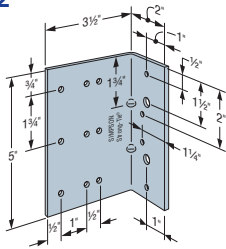
- Box of 25 connectors (screws not included).



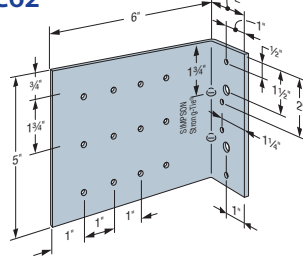
Typical FCB Installation at Bypass Framing

Fixed Clips (continued)

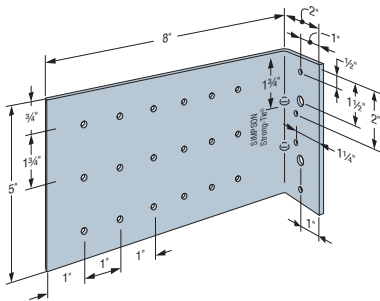
FC32



FC62



FC82



Ideal for high-seismic areas, Simpson Strong-Tie® FC connectors are the optimal solution for fixed-clip bypass framing. FC clips are often welded to the structure in high-seismic zones, but they also feature anchorage holes so that concrete screws or powder-actuated fasteners can be used to attach the clip to the structure. In addition to its anchorage versatility, the FC clip features prepunched screw holes for the framing attachment, eliminating the need for predrilling holes or worrying that fastener placement doesn't match the Designer specifications. FC connectors are manufactured using heavy-duty 10- and 12-gauge steel to provide exceptional resistance to in-plane seismic load.

- Material: 50 ksi
- Finish: Galvanized (G90)

Key Features

- The clips come in lengths of 3-1/2", 6" and 8" and are intended to be used with 3-5/8", 6" and 8" studs, respectively.
- The maximum stand-off distance is 1" for 3-5/8" studs and 1-1/2" for 6" and 8" studs. Embossments in the bendline provide increased strength and stiffness in the F1 and F2 load directions, but are positioned towards the center of the clip so that 1-1/2" long welds can be applied at the top and bottom of the clip.
- Prepunched large-diameter anchor holes accommodate 1/4"-diameter concrete screws like the Simpson Strong-Tie Titen HD® screw anchor. Prepunched small-diameter anchor holes accommodate powder-actuated fasteners like the 0.157"-diameter Simpson Strong-Tie PDPAT or #12 self-drilling Simpson Strong-Tie Strong-Drive® XL Large-Head Metal screw.

Ordering Information and Dimensions

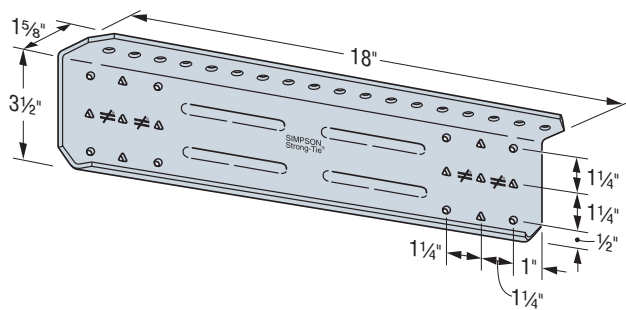
| Model Number | Ordering SKU | Thickness mil (ga.) | L (in.) | A (in.) | B (in.) |
|--------------|-----------------|---------------------|---------|---------|---------|
| FC32-5/97 | FC32-5/97-KT25 | 97 (12) | 3-1/2 | 1/2 | 1/2 |
| FC62-5/97 | FC62-5/97-KT25 | 97 (12) | 6 | 1 | 1 |
| FC62-5/118 | FC62-5/118-KT25 | 118 (10) | 6 | 1 | 1 |
| FC82-5/118 | FC82-5/118-KT25 | 118 (10) | 8 | 1 | 1 |

Note: Each box contains (25) connectors.

Installation

- Use the specified type and number of fasteners and anchors.

FSB3.518



The FSB connector is the fixed-clip version of our popular SSB slide-clip strut connector. The FSB is commonly used at the bottom flange of a steel beam to accommodate large stand-off distances for bypass curtainwall studs.

- Material: 54 mil (16 ga.)
- Finish: Galvanized (G90)

Installation

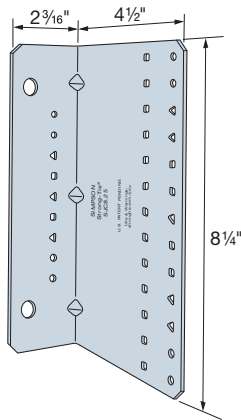
- Use the specified type and number of anchors.
- Use the specified type and number of screw fasteners to the stud.
- If the FSB intrudes on interior space, it can be trimmed. The trimmed part shall allow an edge distance of 1/2" or greater from the center of the nearest anchor to the end of the trimmed part.

Ordering Information

- Box of 25 connectors.

Joist Clips

SJC8.25 (MSJC8.25 Similar)



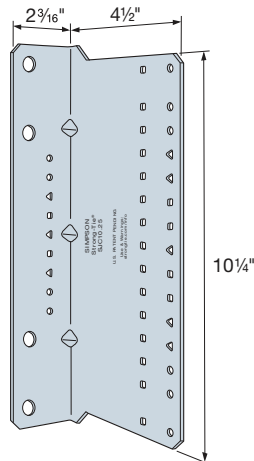
SJC connectors have been specifically designed for various CFS joist, and rafter applications. The unique clip dimensions enable easy installation on the open side of joists and rafters with up to 3-1/2" flanges and return lips up to 3/4". For metal-deck applications, the pre-punched 3/8" holes easily accommodate 6", 8", 10" and 12" on-center metal-deck flutes.

- Material: SJC – 68 mil (50 ksi); MSJC – 97 mil (50 ksi).
- Finish: Galvanized (G90).

Key Features

- Pre-punched holes reduce installation cost by eliminating predrilling.
- Intuitive fastener hole positions ensure accurate clip installation in accordance with design, support a wide range of design and application requirements and provide installation flexibility.
- Angle lengths accommodate either hard-side or soft-side attachment for joists with return lips up to 3/4".
- 4-1/2" leg length enables soft-side connections for joists with flanges up to 3-1/2".
- Also accommodates kicker-to-metal-deck applications.

SJC10.25 (MSJC10.25 Similar)



Installation

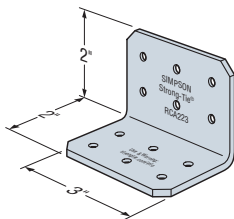
- Use all specified fasteners/anchors.

Ordering Information

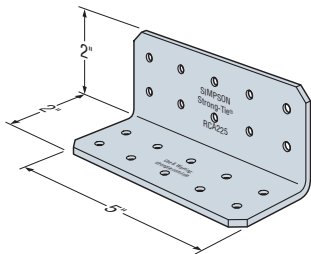
| Model Number | Ordering SKU | Package Quantity |
|--------------|---------------|------------------|
| SJC8.25 | SJC8.25-R15 | Box of 15 |
| MSJC8.25 | MSJC8.25-R15 | |
| SJC10.25 | SJC10.25-R15 | Box of 15 |
| MSJC10.25 | MSJC10.25-R15 | |

Utility Clips

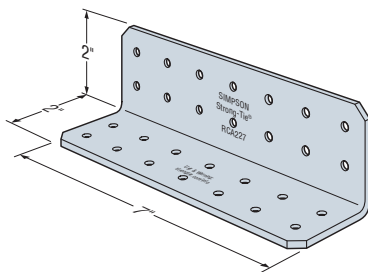
RCA223



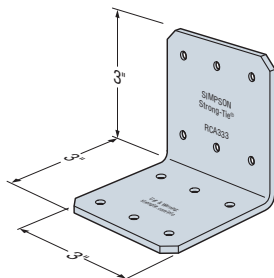
RCA225



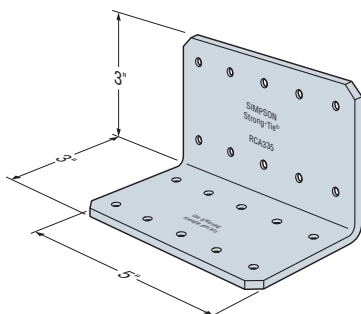
RCA227



RCA333



RCA335



The rigid connector angle is a general-purpose clip angle that can be used for miscellaneous head/sill connections to jamb studs, jamb stud reinforcement at track, u-channel bridging, stud-blocking, by-pass curtainwall framing and more. With pre-punched holes for fastener attachment, this L-shaped clip offers time and labor savings on the job. The RCA is available in 16-, 14- and 12-gauge.

- Material:
 - > RCA333/54, RCA335/54, RCA223/54, RCA225/54, RCA227/54 – 54 mil (16 ga.), 50 ksi.
 - > RCA223/68, RCA225/68, RCA227/68, RCA333/68, RCA335/68 – 68 mil (14 ga.), 50 ksi.
 - > RCA223/97, RCA225/97, RCA227/97, RCA333/97, RCA335/97 – 97 mil (12 ga.), 50 ksi.
- Finish: Galvanized (G90).

Key Features

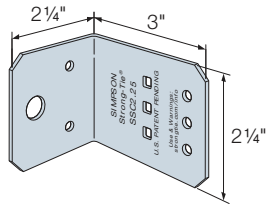
- Use with miscellaneous header/sill connections to jamb studs, jamb stud reinforcement at track, u-channel bridging, stud-blocking, bypass curtainwall framing and more.
- Easy to install, with pre-punched holes for quick and accurate fastener attachment.

Ordering Information

| Model Number | Ordering SKU | Bucket Quantity |
|--------------|----------------|-----------------|
| RCA223/54 | RCA223/54-R150 | 150 |
| RCA223/68 | RCA223/68-R125 | 125 |
| RCA223/97 | RCA223/97-R90 | 90 |
| RCA225/54 | RCA225/54-R90 | 90 |
| RCA225/68 | RCA225/68-R75 | 75 |
| RCA225/97 | RCA225/97-R55 | 55 |
| RCA227/54 | RCA227/54-R65 | 65 |
| RCA227/68 | RCA227/68-R55 | 55 |
| RCA227/97 | RCA227/97-R40 | 40 |
| RCA333/54 | RCA333/54-R100 | 100 |
| RCA333/68 | RCA333/68-R85 | 85 |
| RCA333/97 | RCA333/97-R60 | 60 |
| RCA335/54 | RCA335/54-R60 | 60 |
| RCA335/68 | RCA335/68-R50 | 50 |
| RCA335/97 | RCA335/97-R35 | 35 |

Utility Clips (continued)

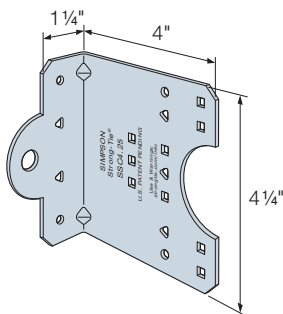
SSC2.25 (MSSC2.25 Similar)



SSC connectors are versatile utility clips ideal for a variety of stud-to-stud and stud-to-structure applications in cold-formed steel construction. The clips have been designed to enable easy installation on the open side of studs or joists with flanges up to 3" long and return lips up to 3/4". A wide pattern of strategic fastener locations allows the SSC to accommodate a variety of traditional and custom designs.

- Material: LSSC – 54 mil (50 ksi); SSC – 68 mil (50 ksi); MSSC – 97 mil (50 ksi).
- Finish: Galvanized (G90).

SSC4.25 (LSSC4.25, MSSC4.25 Similar)



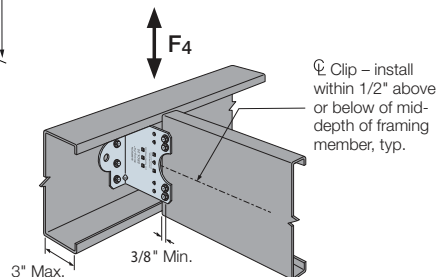
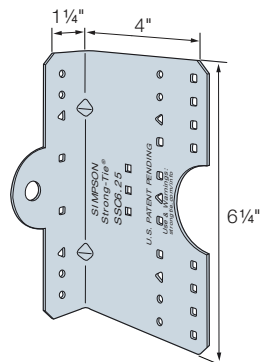
Key Features

- Pre-punched holes reduce installation cost by eliminating pre-drilling.
- Intuitive fastener hole positions ensure accurate clip installation in accordance with design, support a wide range of design and application requirements and provide installation flexibility.
- Angle lengths accommodate either hard-side or soft-side attachment for studs and joists with return lips up to 3/4".
- 4" leg length enables soft-side connections for studs and joists with flanges up to 3".
- Also suitable for u-channel bridging.

Installation

- Use all specified fasteners/anchors.

SSC6.25 (LSSC6.25, MSSC6.25 Similar)



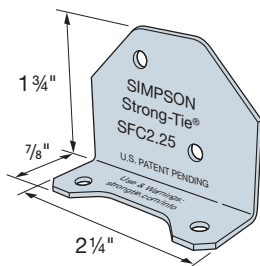
SSC Installation with Carried Member Fasteners in Outer Row

Ordering Information

| Model Number | Ordering SKU | Package Quantity |
|--------------|--------------|------------------|
| SSC2.25 | SSC2.25-R125 | Bucket of 125 |
| MSSC2.25 | MSSC2.25-R90 | Bucket of 90 |
| LSSC4.25 | LSSC4.25-R50 | Bucket of 50 |
| SSC4.25 | SSC4.25-R50 | |
| MSSC4.25 | MSSC4.25-R50 | Bucket of 30 |
| LSSC6.25 | LSSC6.25-R30 | |
| SSC6.25 | SSC6.25-R30 | |
| MSSC6.25 | MSSC6.25-R30 | |

Utility Clips (continued)

SFC2.25 (LSFC2.25 Similar)



SFC connectors are a low-cost, multi-use utility clips for light to moderate loading conditions in CFS stud-to-stud and stud-to-structure applications where long leg lengths are not required.

- Material: LSFC – 43 mil (33 ksi); SFC – 54 mil (50 ksi).
- Finish: Galvanized (G90).

Key Features

- Reduced number of screws reduces installation cost.
- Pre-punched holes reduce installation cost by eliminating predrilling.
- Intuitive fastener hole positions ensure accurate clip installation in accordance with design, support a wide range of design and application requirements and provide installation flexibility.
- In soft-side stud installations, SFC will not interfere with stud lips up to 3/4" long*.
- Also suitable for U-channel bridging.

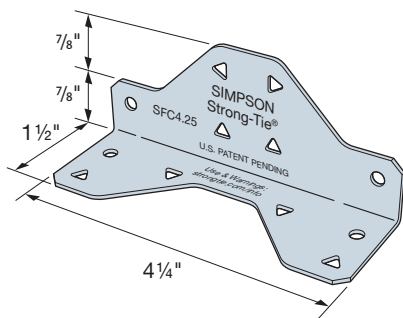
Installation

- Use all specified fasteners/anchors.

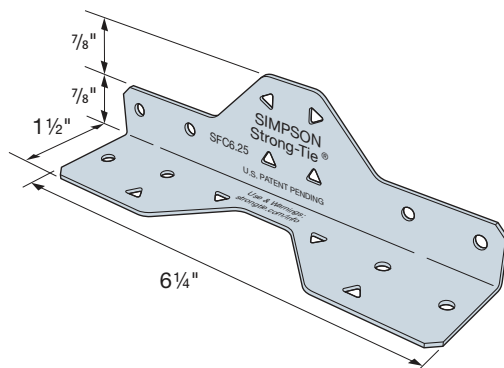
Ordering Information

| Model Number | Ordering SKU | Package Quantity |
|--------------|---------------|------------------|
| SFC2.25 | SFC2.25-R300 | Bucket of 300 |
| LSFC2.25 | LSFC2.25-R300 | |
| SFC4.25 | SFC4.25-R175 | Bucket of 175 |
| LSFC4.25 | LSFC4.25-R175 | |
| SFC6.25 | SFC6.25-R125 | Bucket of 125 |
| LSFC6.25 | LSFC6.25-R100 | Bucket of 100 |

SFC4.25 (LSFC4.25 Similar)

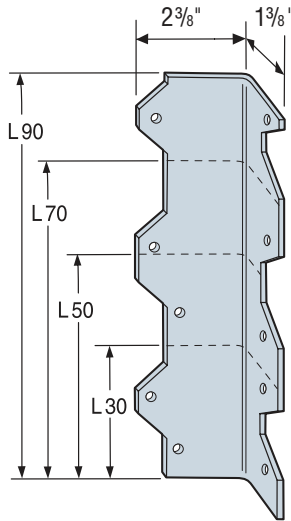


SFC6.25 (LSFC6.25 Similar)



Utility Clips (continued)

L30, L50, L70 & L90



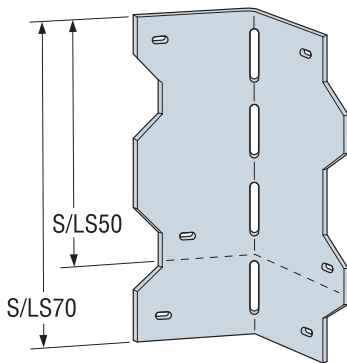
L, LS and S/LS angles are load rated and provide the correct thickness and number of fasteners the specifier is looking for compared with field fabricated clip angles. These angles also have well-defined fastener locations, and testing ensures that the tabulated load values account for connection eccentricities. The connectors are general utility reinforcing angles with multiple uses. LS and S/LS connectors are skewable and can be used to attach members intersecting at angles.

- Material: L – 54 mil (16 ga.); LS – 43 mil (18 ga.); S/LS – 43 mil (18 ga.).
- Finish: Galvanized (G90).

Installation

- Use all specified fasteners.
- CFS framing must be constrained against rotation when using a single S/LS per connection.

S/LS50 & S/LS70



L, LS and S/LS angles are load rated and provide the correct thickness and number of fasteners the specifier is looking for compared with field fabricated clip angles. These angles also have well-defined fastener locations, and testing ensures that the tabulated load values account for connection eccentricities. The connectors are general utility reinforcing angles with multiple uses. LS and S/LS connectors are skewable and can be used to attach members intersecting at angles.

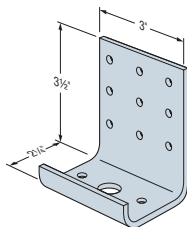
- Material: L – 54 mil (16 ga.); LS – 43 mil (18 ga.); S/LS – 43 mil (18 ga.).
- Finish: Galvanized (G90).

Installation

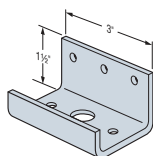
- Use all specified fasteners.
- S/LS—field-skewable; bend one time only.
- CFS framing must be constrained against rotation when using a single S/LS per connection.

Kneewall Connectors

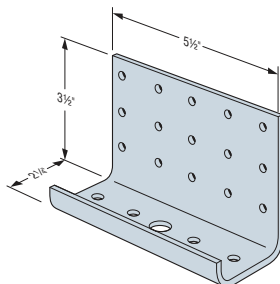
RCKW3



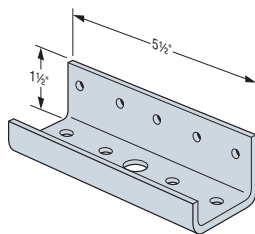
RCKW3S



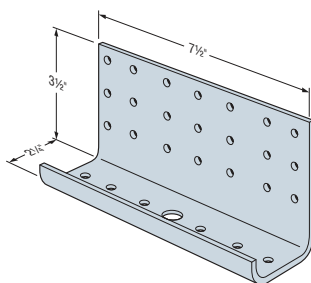
RCKW5.5



RCKW5.5S



RCKW7.5



The Simpson Strong-Tie® RCKW rigid connectors have been developed to resist overturning moment at the base of exterior kneewalls and parapets as well as interior partial-height walls. These connectors offer a unique anchor-hole pattern that permits anchorage to both concrete and structural steel, with the larger hole designed to accommodate 1/2"-diameter concrete screws such as the Simpson Strong-Tie Titen HD®. The RCKWS is a heavy 171 mil (7 ga.) stiffener that nests onto the RCKW clip. The screw holes and anchor holes in the stiffener line up with those in the RCKW clip, making fastener and anchor installation a snap. The RCKW clip and RCKWS stiffener are sold separately.

- Material: RCKW and RCKWS: 171 mil (7 ga.), 33 ksi.
- Finish: Galvanized (G90).

Key Features

- Anchorage legs incorporate stiffened flanges, improving overturning moment resistance.
- Large-diameter anchor hole accommodates 1/2"-diameter concrete screws and wedge anchors, such as the Simpson Strong-Tie Titen HD heavy-duty screw and the Strong-Bolt® 2 wedge anchor.
- Additional smaller-diameter anchor holes enable attachment to structural steel through use of #12 self-drilling screws.
- Attachment to CMU can be achieved with use of Titen® concrete and masonry screws.
- For the RCKWS: 171 mil (7 ga.) stiffeners are secured to the RCKW clip with screws, optimizing overturning moment resistance and stiffness.

Installation

- Use all specified screw fasteners. To achieve tabulated load values, use #12-14 screws according to the screw patterns shown.
- When using the RCKWS, secure the stiffener to the clip with the specified screw fasteners. Screws must be at least 1" long and extend through the connection with a minimum of 3 exposed threads.
- Use all specified anchors. To achieve tabulated stiffness values, the installation torque for 1/2"-diameter anchors shall be at least 17 ft.-lb.
- When using the 1/2"-diameter Simpson Strong-Tie Titen HD® anchor, the bottom track must be pre-drilled or punched with a 3/4"-diameter hole.

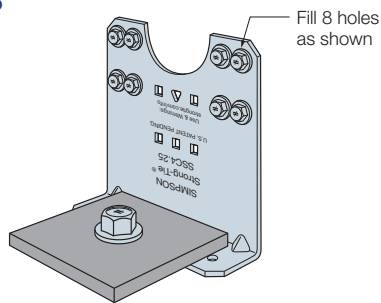
Ordering Information

| Model Number | Ordering SKU | Package Quantity |
|--------------|--------------|------------------------|
| RCKW3 | RCKW3-R10 | 10 RCKW3 clips |
| RCKW5.5 | RCKW5.5-R10 | 10 RCKW5.5 clips |
| RCKW7.5 | RCKW7.5-R10 | 10 RCKW7.5 clips |
| RCKW3S | RCKW3S-R10 | 10 RCKW3S stiffeners |
| RCKW5.5S | RCKW5.5S-R10 | 10 RCKW5.5S stiffeners |

Kneewall Connectors (continued)



MSSCKW4.25



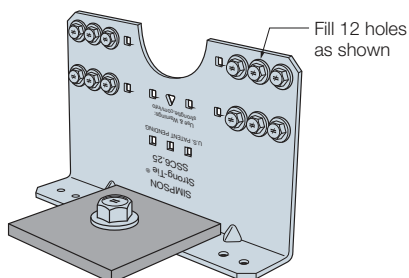
MSSC connectors are designed to work in tandem with Simpson Strong-Tie® BP1/2-3 bearing plates to provide solutions for light duty moment-resisting kneewall applications.

- Material: MSSC – 97 mil (50 ksi); BP – 229 mil (33 ksi).
- Finish: MSSC – galvanized (G90); BP – none.

Key Features

- One simple custom hole pattern for each stud size simplifies specification and installation.
- 3/8" diameter anchor bolt location enables easy tool access.

MSSCKW6.25



Installation

- Use all specified fasteners/anchors.
- Install BP1/2-3 bearing plate over anchor leg of MSSC connectors as shown in the illustrations.



Expanding Your Solutions

Corporate Headquarters

13191 Crossroads Parkway North, Suite 325, City of Industry, CA 91746

P: 800.775.2362 | **F:** 626.330.7598

Southern California Manufacturing Facility

263 North Covina Lane, City of Industry, CA 91746

P: 800.775.2362 | **F:** 626.330.7598

Northern California Manufacturing Facility

1001-A Pittsburg Antioch Hwy, Pittsburg, CA 94565

P: 925.473.9340 | **F:** 925.473.9341

Denver Colorado Manufacturing Facility

490 Osage Street, Denver, CO 80204

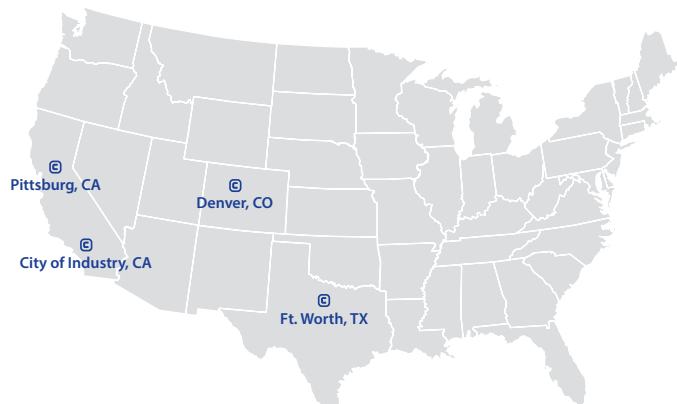
P: 303.572.3626 | **F:** 303.572.3627

Fort Worth Texas Manufacturing Facility

8600 Will Rogers Blvd, Fort Worth, TX 76140

P: 817.568.1525 | **F:** 817.568.2759

www.cemcosteel.com



Effective 3/7/2017