



Expanding Your Solutions



Drywall Framing Accessories

CEMCO's Interior Drywall Accessories

Table of Contents

Introduction	3
Angles	
Corner Angles	4
Clip Angles	5
Cornerbeads & Drywall Trims	
Cornerbeads	6-7
• Drywall Cornerbead	
• #900 Veneer Plaster Bead (Mini-Bead)	
Control Joints	
093 Zinc Control Joint	8
FAS-093X Fire Rated Control Joint	9
FAS-093X-V Vinyl Fire Rated Control Joint	10
RBR Strap (Rated Base Reveal)	11
FAS Vertical Drift Joint (VDJ)	12
Flat Strapping	
Flat Strap	13
Furring Channels	
7/8" Furring Channel	14
1-1/2" Furring Channel	15
Resilient Sound Channels	
RC1 Resilient Channel	16
NEW! RC1-XD (Xtra-Duty) Resilient Channel	17
RC2 Resilient Channel	18
U-Channels	
3/4", 1-1/2", 2" and 2-1/2" U-Channels	19
Z-Furring Channels	
1", 1-1/2", 2" and 2-1/2" Z-Furring Channels	20

Introduction

CEMCO's Interior Framing and Finishing Products

CEMCO's interior framing and finishing products are manufactured to the highest standards of quality. Available in either hot-dipped galvanized steel or a composite configuration, each product is specifically designed to allow drywall framers and finishers the components needed in standard as well as fire-rated applications.

Steel Thickness

Color Code (painted on ends)	Mil Thickness	Design Thickness (in.) ¹	Minimum Thickness (in.) ^{1,2}
None	18	0.0188 (.48 mm)	0.0179 (.45 mm)
White	33	0.0346 (.88 mm)	0.0329 (.84 mm)
Yellow	43	0.0451 (1.15 mm)	0.0428 (1.09 mm)
Green	54	0.0566 (1.44 mm)	0.0538 (1.37 mm)
Orange	68	0.0713 (1.81 mm)	0.0677 (1.72 mm)

1) Uncoated Steel Thickness. Thickness is for carbon sheet steel.
 2) Minimum thickness represents 95% of the design thickness and is the minimum acceptable thickness with 2004 AISI supplement.

ASTM & Code Standards

- ASTM A653/653M, A924/A924M, A1003/A1003M, C954
- ASTM E 1966: Standard Test Method of Fire Tests of Firestop Systems
- UL 2079 5th Edition Tests for Fire Resistance of Building Joints
- ASTM E-119 Standard Test Methods for Fire Tests of Building Construction and Material
- Intumescent Firestopping tested per ASTM E 84 UL723, Flame Spread 5, Smoke Index 5
- UL ER25033 (FAS 093X, 093X-V, RBR Strap)
- IBC: 2012, 2015, 2018
- CBC: 2013, 2016
- AISI: S100, S200, S240

LEED v4 for Building & Design Construction

- MR Prerequisite: Construction and Demolition Waste Management Planning
- MR Credit: Construction and Demolition Waste Management
- MR Credit: Building Product Disclosure and Optimization – Sourcing of Raw Materials, Option 2
- MR Credit: Building Product Disclosure and Optimization – Material Ingredients, Option 1
- MR Credit: Building Life-Cycle Impact Reduction, Option 4

Recycled Content (Steel Products Only)

- Total Recycled Content: 36.9%
- Post-Consumer: 19.8%
- Pre-Consumer: 14.4%

California's Proposition 65 Warning

California's Safe Drinking Water and Toxic Enforcement Act of 1986 – commonly referred to as Proposition 65 ("Prop 65") (27 Cal. Code Reg. § 25600, et seq.) – has recently changed, requiring manufacturers to provide a warning based on its knowledge about the presence of one or more of the almost 900 listed chemicals which are known to the State of California to cause cancer and birth defects, or other reproductive harm. With a few exceptions, manufacturers operating in the state of California as well as those entities who distribute, import, package, and/or supply products into the State of California are now required provide a "clear and reasonable" warning to consumers that their products may contain one or more of these listed chemicals or compounds. The complete list is available at www.P65Warnings.ca.gov.

In compliance with the new requirements, we are notifying each of our customers that CEMCO products contain Nickel (metallic) and/or other chemicals listed which are known to the State of California to cause cancer and birth defects or other reproductive harm. Safety data sheets from our major suppliers are available from CEMCO on our website at www.cemcosteel.com.

Corner Angles

Standard 90-degree Corner Angles come in 10' length and are available with 1-1/2", 2", and 3" legs in thicknesses ranging from 18 mil up to 97 mil. 18 and 33 mil Corner Angles are fabricated from hot-dipped galvanized steel in standard G40 coating (*G60 and G90 coatings are available upon special request). 43, 54, 68 and 97 mil Corner Angles are fabricated from hot-dipped galvanized steel in standard G60 coating (*G90 coating is available upon special request).

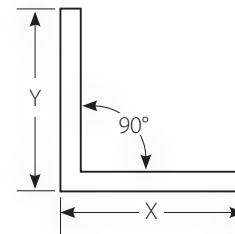
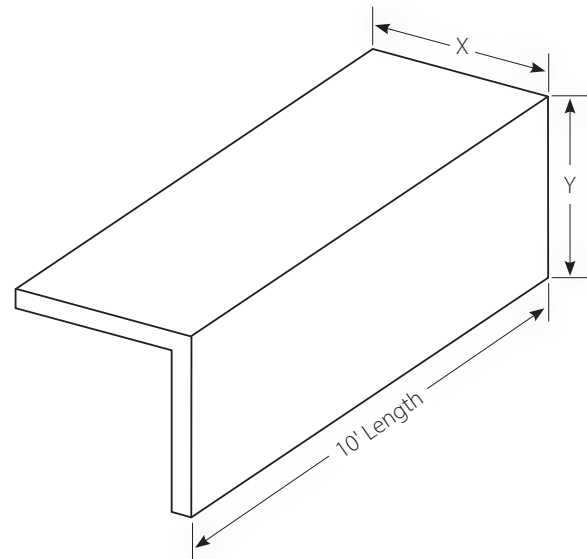
*May require extended lead time and up-charges.

Properties

Product Code	Thickness (T)		Yield (ksi)	X (in)	Y (in)
	Design Thickness (in)	Minimum Thickness (in)			
25A112112	0.0188	0.0179	33	1-1/2	1-1/2
20A112112	0.0346	0.0329	33	1-1/2	1-1/2
18A112112	0.0451	0.0428	33	1-1/2	1-1/2
16A112112	0.0566	0.0538	50	1-1/2	1-1/2
14A112112	0.0713	0.0677	50	1-1/2	1-1/2
12A112112	0.1017	0.0966	50	1-1/2	1-1/2
25A22	0.0188	0.0179	33	2	2
20A22	0.0346	0.0329	33	2	2
18A22	0.0451	0.0428	33	2	2
16A22	0.0566	0.0538	50	2	2
14A22	0.0713	0.0677	50	2	2
12A22	0.1017	0.0966	50	2	2
25A33	0.0188	0.0179	33	3	3
20A33	0.0346	0.0329	33	3	3
18A33	0.0451	0.0428	33	3	3
16A33	0.0566	0.0538	50	3	3
14A33	0.0713	0.0677	50	3	3
12A33	0.1017	0.0966	50	3	3

Notes:

1. Uncoated steel thickness. Thickness is for carbon sheet steel.
2. Minimum thickness represents 95% of the design thickness and is the minimum acceptable thickness.



Clip Angles

Standard 90-degree Clip Angles come in 2" to 12" lengths and are available with 1-1/2", 2", and 3" legs in thicknesses ranging from 18 mil up to 97 mil. 18 and 33 mil Clip Angles are fabricated from hot-dipped galvanized steel in standard G40 coating (*G60 and G90 coatings are available upon special request). 43, 54, 68 and 97 mil Clip Angles are fabricated from hot-dipped galvanized steel in standard G60 coating (*G90 coating is available upon special request).

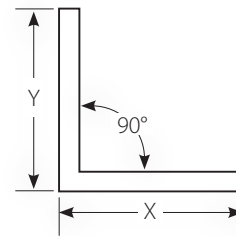
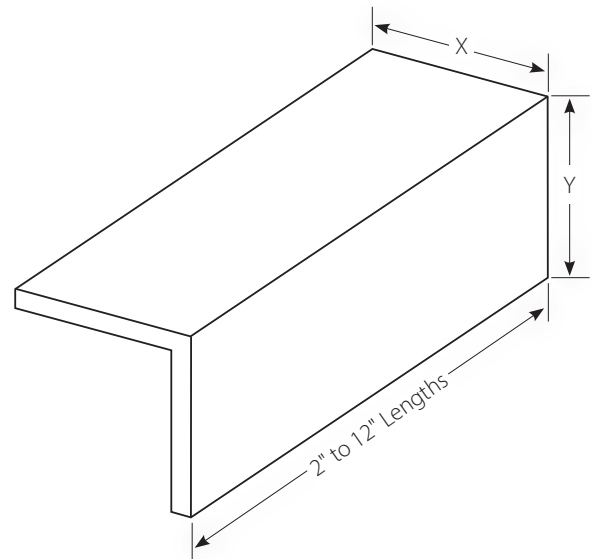
*May require extended lead time and up-charges.

Properties

Product Code	Thickness (T)		Yield (ksi)	X (in)	Y (in)
	Design Thickness (in)	Minimum Thickness (in)			
25A112112	0.0188	0.0179	33	1-1/2	1-1/2
20A112112	0.0346	0.0329	33	1-1/2	1-1/2
18A112112	0.0451	0.0428	33	1-1/2	1-1/2
16A112112	0.0566	0.0538	50	1-1/2	1-1/2
14A112112	0.0713	0.0677	50	1-1/2	1-1/2
12A112112	0.1017	0.0966	50	1-1/2	1-1/2
25A22	0.0188	0.0179	33	2	2
20A22	0.0346	0.0329	33	2	2
18A22	0.0451	0.0428	33	2	2
16A22	0.0566	0.0538	50	2	2
14A22	0.0713	0.0677	50	2	2
12A22	0.1017	0.0966	50	2	2
25A33	0.0188	0.0179	33	3	3
20A33	0.0346	0.0329	33	3	3
18A33	0.0451	0.0428	33	3	3
16A33	0.0566	0.0538	50	3	3
14A33	0.0713	0.0677	50	3	3
12A33	0.1017	0.0966	50	3	3

Notes:

1. Uncoated steel thickness. Thickness is for carbon sheet steel.
2. Minimum thickness represents 95% of the design thickness and is the minimum acceptable thickness.



Drywall Cornerbead

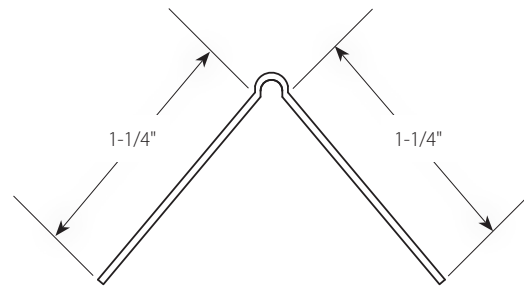
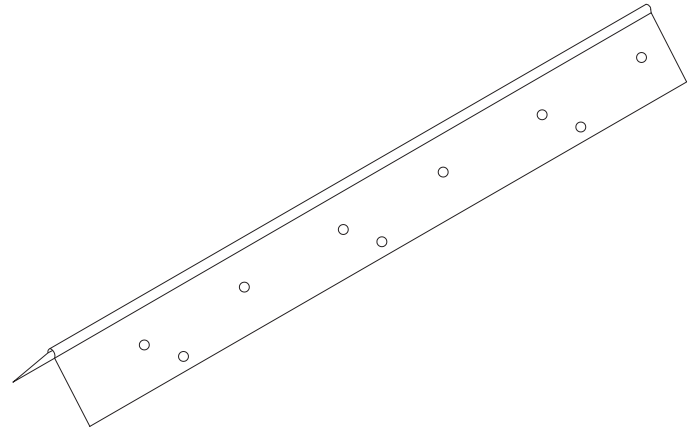
CEMCO's drywall cornerbead is manufactured from 13 mil hot-dipped galvanized steel in standard G40 coating for interior 90 degree corner applications. Both flanges are knurled and punched to maximize adhesion of the drywall finishing compound, creating a clean, crisp and smooth finish.

Packaging

Size	Pcs/Ctn	Ft/Ctn	Ctn/Plt	Wt/ctn (lbs)
1-1/4" x 1-1/4" x 7'	86	602	40	67
1-1/4" x 1-1/4" x 8'	75	600	40	66
1-1/4" x 1-1/4" x 9'	67	603	40	67
1-1/4" x 1-1/4" x 10'	60	600	40	66
1-1/4" x 1-1/4" x 12'	50	600	40	66

Packaging (Texas Only)

Size	Pcs/Ctn	Ft/Ctn	Ctn/Plt	Wt/ctn (lbs)
1-1/4" x 1-1/4" x 8'	56	504	40	--
1-1/4" x 1-1/4" x 9'	63	504	40	--
1-1/4" x 1-1/4" x 10'	50	500	40	--

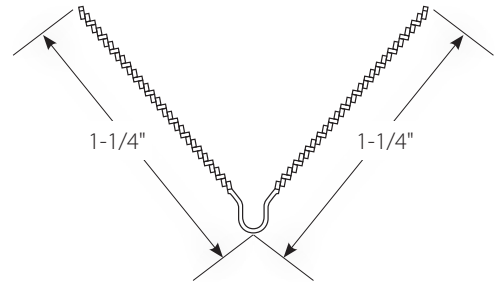
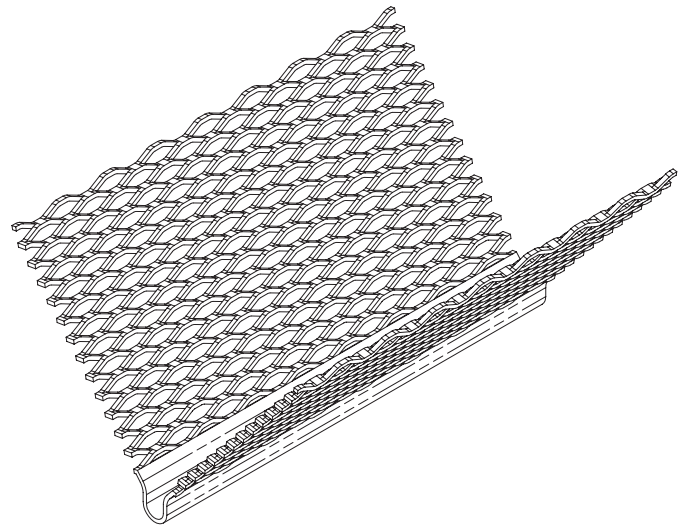


#900 Veneer Plaster Bead (Mini-Bead)

CEMCO's #900 Veneer Plaster Bead, also commonly known as #900 Mini-Bead, is an expanded flange cornerbead specifically designed to provide positive mechanical keying for thin plaster finishes on interior walls. It is a perfect cornerbead for high-end wall finishes such as Venetian plaster. #900 Mini-Bead is manufactured in standard G60 hot-dipped galvanized steel by Niles and distributed by CEMCO.

Packaging

Size	Pcs/Ctn	Ft/Ctn	Ctn/Plt	Wt/Ctn (lbs)
1-1/4" x 1-1/4" x 8'	60	480	25	36
1-1/4" x 1-1/4" x 10'	60	600	25	45

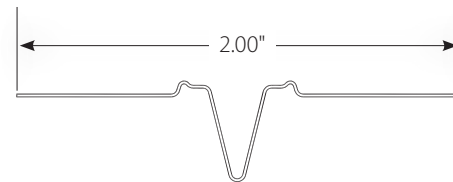
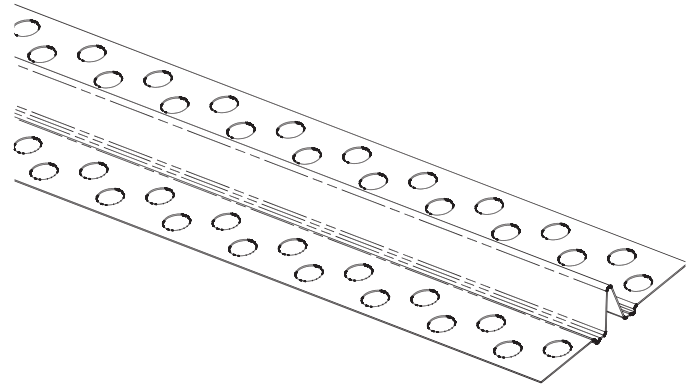


093 Zinc Control Joint

CEMCO's 093 True-Zinc Control Joint is perfect for interior high-end plaster applications, allowing for controlled expansion of the ceiling or wall finish. Made from high quality 26 ga. zinc, and formed to exacting tolerances, the pull tape on the joint protect the expansion trough to provide for crisp and clean finishes in both plaster and veneer finishes. CEMCO's 093 Control Joint is manufactured by Niles Corporation and distributed by CEMCO.

Packaging

Ground	Size (Length)	Pcs/Ctn	Ft/Ctn	Ctn/Plt	Wt/Ctn (lbs)
0.478"	10'	25	250'	20	66



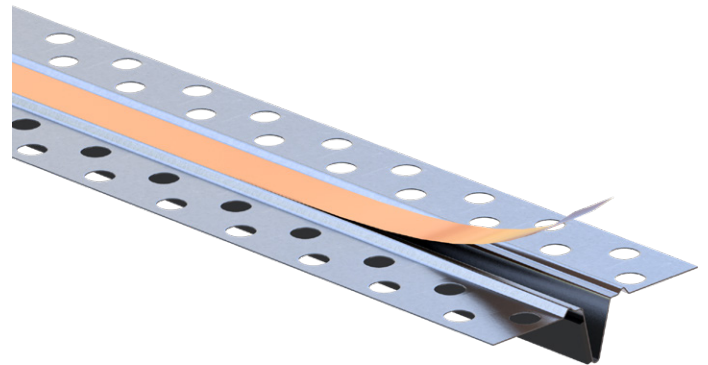
FAS-093X Fire Rated Control Joint

CEMCO's FAS-093X Fire Rated Control Joint is a composite control joint with intumescent tape factory applied to the back side of the control joint. The FAS-093X has been tested according to UL-2079 "Test For Fire Resistance of Building Joint Systems" and is used to relieve stresses of expansion and contraction of drywall interior partitions or ceilings running in a horizontal or vertical direction. The opening is protected by an orange plastic tape to indicate the fire rating. This tape is removed after joint compound has been applied and the finish is completed. The 093X can be used on metal or wood framing on one or both sides of the wall. Continuous framing or backing is required behind both flanges. The section is fabricated from 0.015 mil hot-dipped galvanized steel.

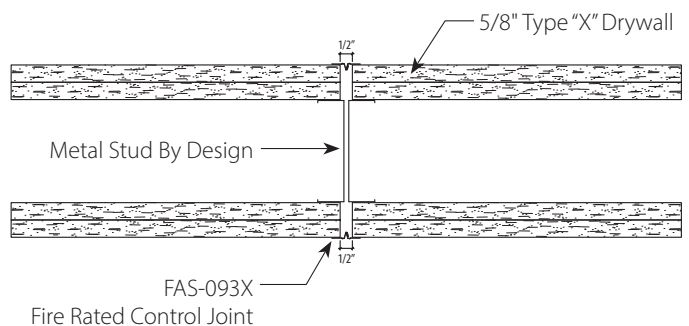
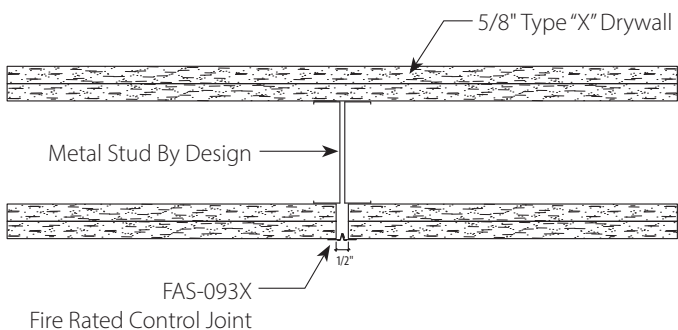
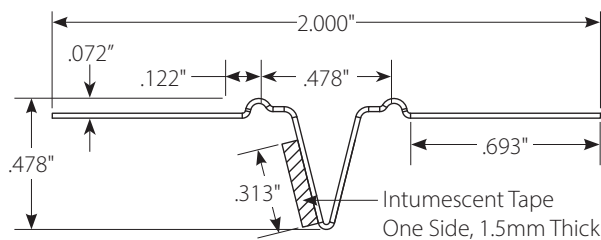
U.S. Patent 8,671,632

Packaging

Size (Length)	Pcs/Ctn	Ft/Ctn	Ctn/Plt	Wt/Ctn (lbs)
10'	20	200	25	23.76



- **NO** Drywall Rips Required
- **NO** Fire Sealant Required
- **NO** Mineral Wool Required



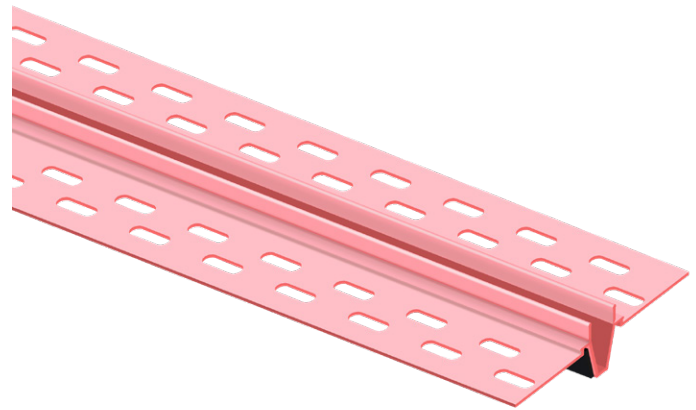
FAS-093X-V Vinyl Fire Rated Control Joint

CEMCO's FAS-093X-V Vinyl Fire Rated Control Joint is a composite control joint with intumescent tape factory applied to the back side of the control joint. The FAS-093X-V has been tested according to UL-2079 "Test for Fire Resistance of Building Joint Systems" and is used to relieve stresses of expansion and contraction of drywall INTERIOR and EXTERIOR partitions or ceilings running in a horizontal or vertical direction in both metal or wood framing on one side or both sides of the wall. Continuous framing or backing is required behind both flanges. The FAS-093X-V is pink in color and features a co-extruded flexible PVC center that is designed to provide a full 1/2" of protection against the stresses of expansion and contraction.

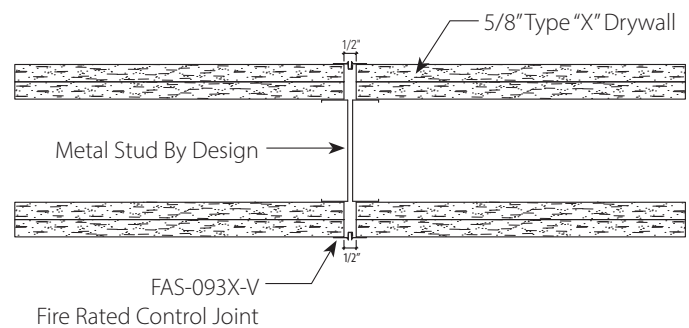
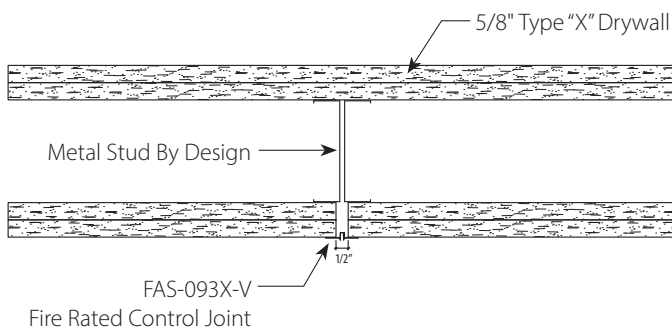
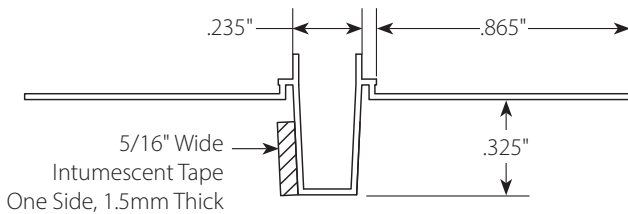
US Patent 8,671,632

Packaging

Size (Length)	Pcs/Ctn	Ft/Ctn	Ctn/Plt	Wt/Ctn (lbs)
10'	20	200	25	17.2



- **NO** Drywall Rips Required
- **NO** Fire Sealant Required
- **NO** Mineral Wool Required



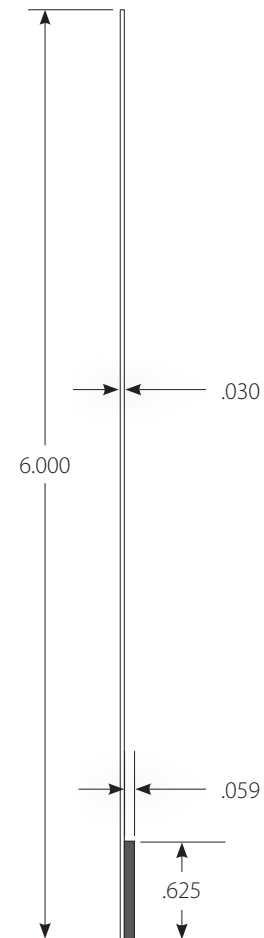
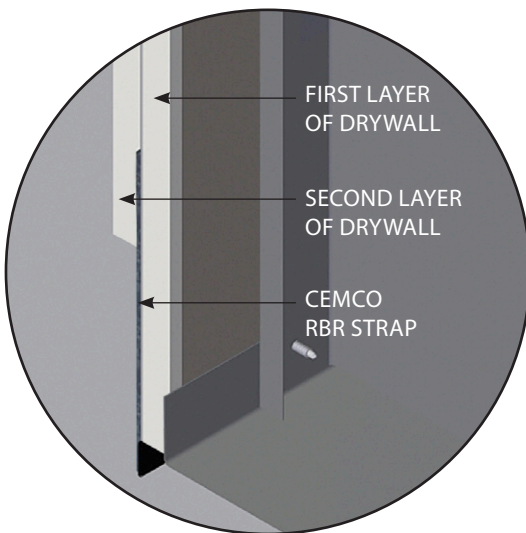
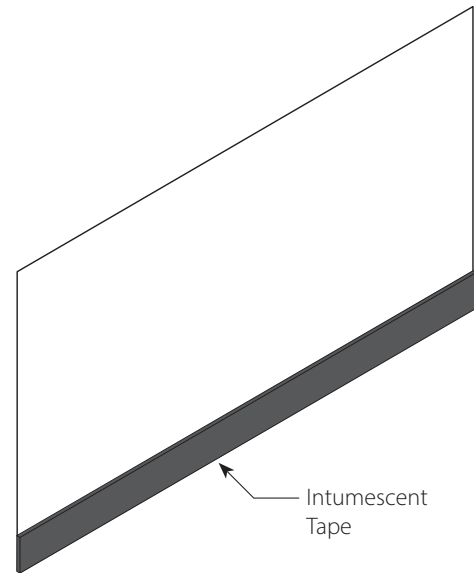
RBR Strap

CEMCO's RBR Strap (Rated Base Reveal) is a composite steel/intumescent profile that provides a fire and smoke rating according to UL-2079 for a recessed base board and listed under UL BW-S-0036. The RBR Strap is a fire rated steel/intumescent strap drywall accessory that provides fire rating for recessed base board assemblies. RBR Strap is fabricated from hot-dipped galvanized steel complying with ASTM A653, and ASTM A1003 Grade 33 Type H for 33 ksi yield strength steel for 20 gauge (30 mil) with a minimum G40 coating complying with ASTM A924.

Packaging

Size (Length)	Ft/ Plt	Pcs/ Plt
10'	1000'	100

(Sold per piece)



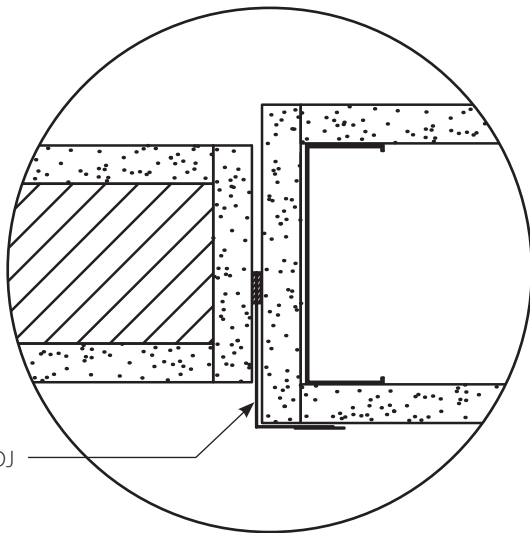
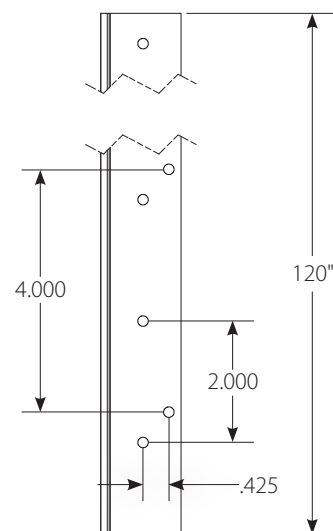
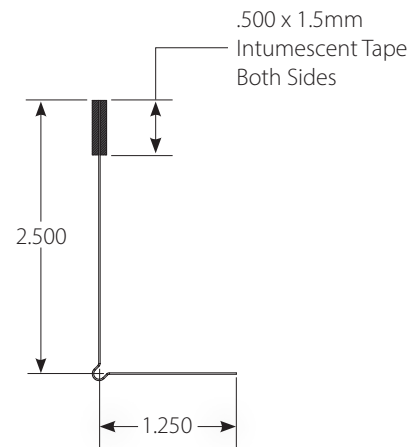
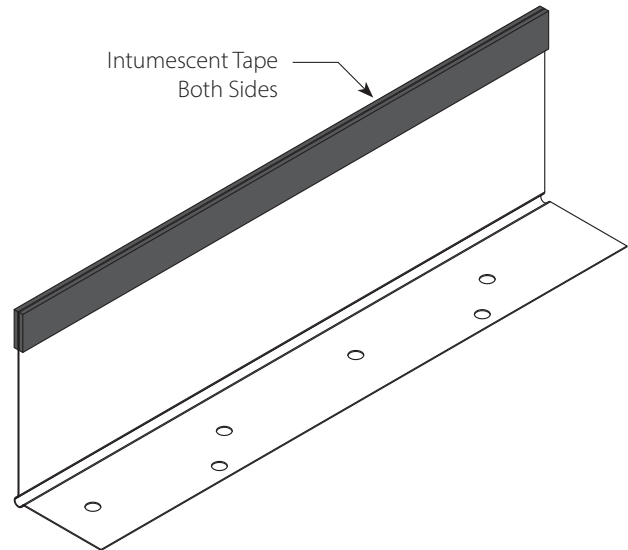
FAS Vertical Drift Joint (VDJ)

CEMCO's FAS Vertical Drift Joint (VDJ) is a composite steel/intumescent corner bead with 2 layers of factory applied intumescent tape applied to the longer leg of the accessory. The intumescent strips work as a compression gasket to prevent the passage fire, smoke and sound between the metal stud drywall panels and the panel and or drywall encased around the aluminum window mullion. The FAS Vertical Drift Joint (VDJ) is tested and certified with UL according to UL-2079 and will provide unencumbered drift and vertical movement between the adjoining wall panels. The profile is fabricated from hot-dipped galvanized steel complying with ASTM A653, and ASTM A1003 Grade 33 Type H for 33 ksi yield strength steel for 25 gauge (18 mil).

Packaging

Size (Length)	Ft/Plt	Pcs/Plt
10'	300'	30

(Sold per piece)



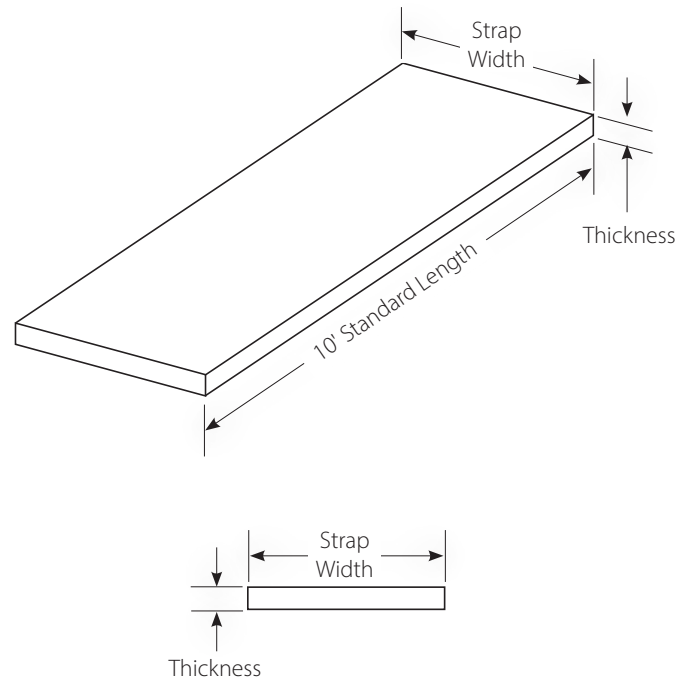
Flat Strap

CEMCO stocks several configurations of flat strap. Made from hot-dipped galvanized steel, these flat straps are stocked in 10' lengths in a variety of standard widths ranging from 2" up to 12" in 18 mil to 97 mil thicknesses. 18 and 33 mil Flat Straps are fabricated from hot-dipped galvanized steel in standard G40 coating (*G60 and G90 coatings are available upon special request). 43, 54, 68 and 97 mil Flat Straps are fabricated from hot-dipped galvanized steel in standard G60 coating (*G90 coating is available upon special request).

*May require extended lead time and up-charges.

Properties

Product Code	Strap Width (in)	Thickness (mils)	Yield Strength (ksi)
25FS2	2	18	33
20FS2	2	33	33
18FS2	2	43	33
16FS2	2	54	50
14FS2	2	68	50
12FS2	2	97	50
25FS4	4	18	33
20FS4	4	33	33
18FS4	4	43	33
16FS4	4	54	50
14FS4	4	68	50
12FS4	4	97	50
25FS6	6	18	33
20FS6	6	33	33
18FS6	6	43	33
16FS6	6	54	50
14FS6	6	68	50
12FS6	6	97	50
25FS8	8	18	33
20FS8	8	33	33
18FS8	8	43	33
16FS8	8	54	50
14FS8	8	68	50
12FS8	8	97	50
25FS10	10	18	33
20FS10	10	33	33
18FS10	10	43	33
16FS10	10	54	50
14FS10	10	68	50
12FS10	10	97	50
25FS12	12	18	33
20FS12	12	33	33
18FS12	12	43	33
16FS12	12	54	50
14FS12	12	68	50
12FS12	12	97	50



7/8" Furring Channel

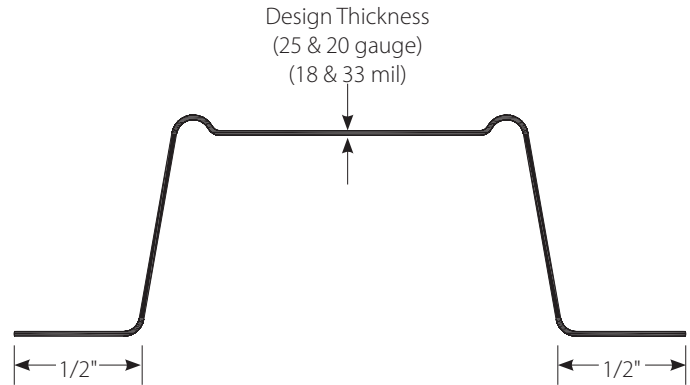
Hat-shaped Furring (F) Channels are fabricated in 7/8" height with 1/2" flanges. All CEMCO furring channels are produced from hot-dipped galvanized steel in standard G40 coating weight. G60 and G90 are available upon special request.

Steel Thickness/Packaging

Product Code	Thickness (mil)	Design Thickness (in) ¹	Minimum Thickness (in) ^{1,2}	Pcs/Plt
087F125-18	18	0.0188 (0.48mm)	0.0179 (0.46mm)	500
087F125-33	33	0.0346 (0.88mm)	0.0329 (0.83mm)	300

Notes:

1. Uncoated Steel Thickness. Thickness is for carbon sheet steel.
2. Minimum Thickness represents 95% of the design thickness and is the minimum acceptable thickness delivered to the job site, based on Section A4.3 of the AISI S100-2007.



1-1/2" Furring Channel

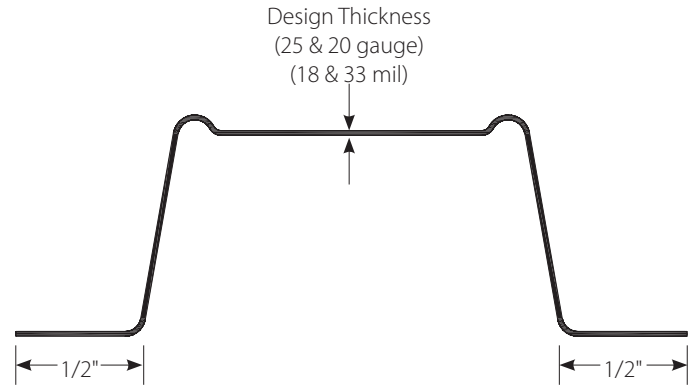
Hat-shaped Furring (F) Channels are fabricated in 1-1/2" height with 1/2" flanges. All CEMCO furring channels are produced from hot-dipped galvanized steel in standard G40 coating weight. G60 and G90 are available upon special request.

Steel Thickness/Packaging

Product Code	Thickness (mil)	Design Thickness (in) ¹	Minimum Thickness (in) ^{1,2}	Pcs/Plt
150F125-18	18	0.0188 (0.48mm)	0.0179 (0.46mm)	500
150F125-33	33	0.0346 (0.88mm)	0.0329 (0.83mm)	300

Notes:

1. Uncoated Steel Thickness. Thickness is for carbon sheet steel.
2. Minimum Thickness represents 95% of the design thickness and is the minimum acceptable thickness delivered to the job site, based on Section A4.3 of the AISI S100-2007.



RC1 Resilient Channel (1/2" Height)

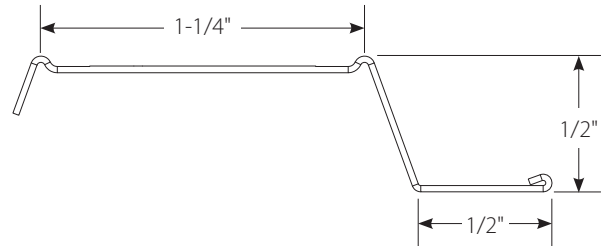
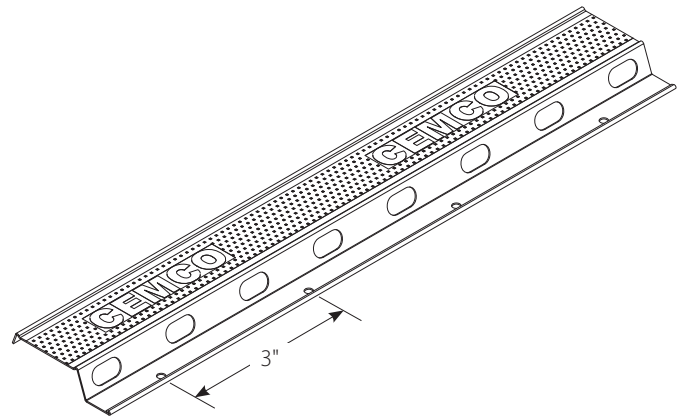
CEMCO's RC1 Resilient Channels are manufactured with a 1-1/4" top flange, and a 1/2" nailing/screw attachment flange, giving the channel 1/2" furring height from the face of the wall stud. RC1 is produced from hot-dipped galvanized steel in standard G40 coating weight. G60 is available upon special request.

Steel Thickness/Packaging

Size (Length)	Thickness (mil)	Design Thickness (in) ¹	Minimum Thickness (in) ^{1,2}	Pcs/ Pkt
12'	18	0.0188 (0.48mm)	0.0179 (0.46mm)	1000

Notes:

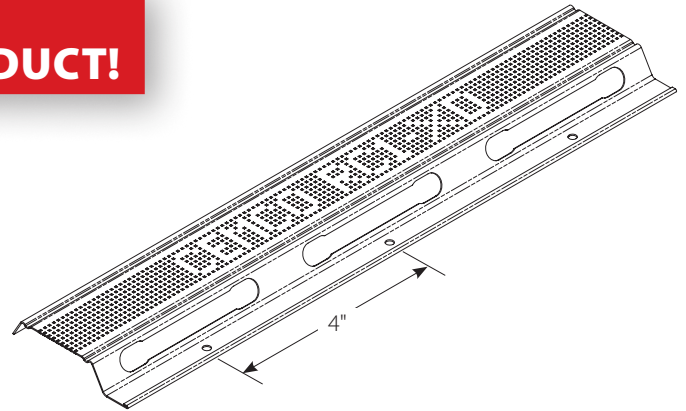
1. Uncoated Steel Thickness. Thickness is for carbon sheet steel.
2. Minimum Thickness represents 95% of the design thickness and is the minimum acceptable thickness delivered to the job site, based on 2012 AISI.



RC1-XD (Xtra-Duty) Resilient Channel (1/2" Height)

**NEW
 PRODUCT!**

CEMCO's RC1-XD (Xtra-Duty) Resilient Channel is manufactured from 22 mil thick G40 steel with a large 1-1/2" top screw flange, 1/2" bottom flange for nailing/screwing into wood/steel studs providing a full 1/2" furring height. Standard coating is G40, G60 available upon special request.

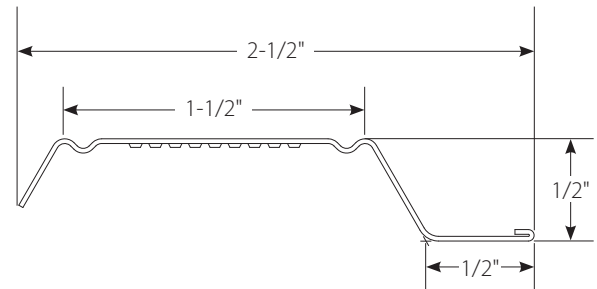


Steel Thickness/Packaging

Size (Length)	Thickness (mil)	Design Thickness (in) ¹	Minimum Thickness (in) ^{1,2}	Pcs/ Plt
12'	22	0.023 (0.59 mm)	0.0232 (0.589 mm)	1000

Notes:

1. Uncoated Steel Thickness. Thickness is for carbon sheet steel.
2. Minimum Thickness represents 95% of the design thickness and is the minimum acceptable thickness delivered to the job site, based on 2012 AISI.



RC2 Resilient Channel (1/2" Height)

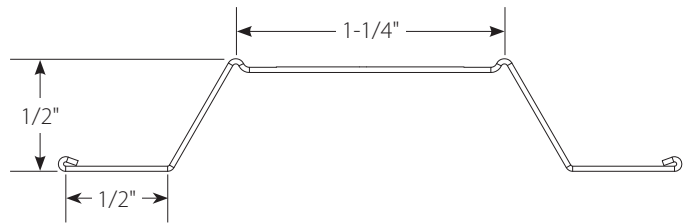
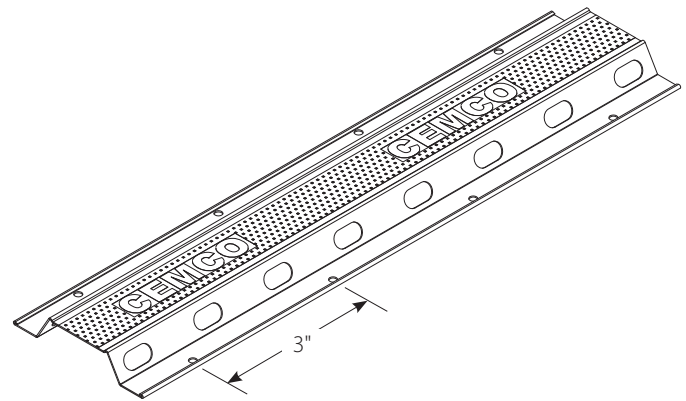
CEMCO's RC2 resilient channels are manufactured with a 1-1/4" top flange, and two 1/2" nailing/screw attachment flanges, giving the channel 1/2" furring height from the face of the wall stud. RC2 is produced from hot-dipped galvanized steel in standard G40 coating weight. G60 is available upon special request.

Steel Thickness/Packaging

Size (Length)	Thickness (mil)	Design Thickness (in) ¹	Minimum Thickness (in) ^{1,2}	Pcs/ Plt
12'	18	0.0188 (0.48mm)	0.0179 (0.46mm)	1000

Notes:

1. Uncoated Steel Thickness. Thickness is for carbon sheet steel.
2. Minimum Thickness represents 95% of the design thickness and is the minimum acceptable thickness delivered to the job site, based on 2012 AISI.



U-Channels

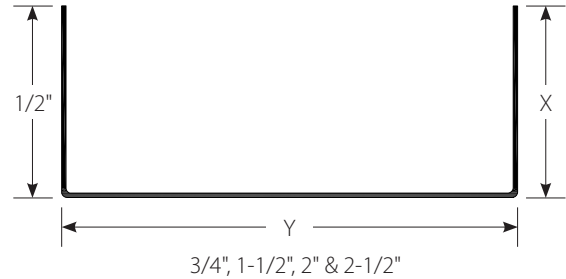
CEMCO's U-Shaped channels are made from 54 mil G60 hot-dipped galvanized steel. Perfect for bracing applications for walls as well as ceilings/floors these u-shaped channels are available in 3/4", 1-1/2", 2" and even 2-1/2" widths.

Steel Thickness/Packaging

Width (Y)	Thickness (mil)	Design Thickness (in) ¹	Minimum Thickness (in) ^{1,2}	Pcs/Plt
3/4"	54	0.0566 (1.44 mm)	0.0538 (1.37 mm)	400
1-1/2"	54	0.0566 (1.44 mm)	0.0538 (1.37 mm)	200
2"	54	0.0566 (1.44 mm)	0.0538 (1.37 mm)	100
2-1/2"	54	0.0566 (1.44 mm)	0.0538 (1.37 mm)	100

Notes:

1. Uncoated Steel Thickness. Thickness is for carbon sheet steel.
2. Minimum Thickness represents 95% of the design thickness and is the minimum acceptable thickness delivered to the job site, based on Section A4.3 of the AISI S100-2007.

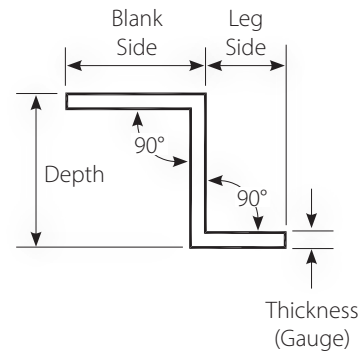
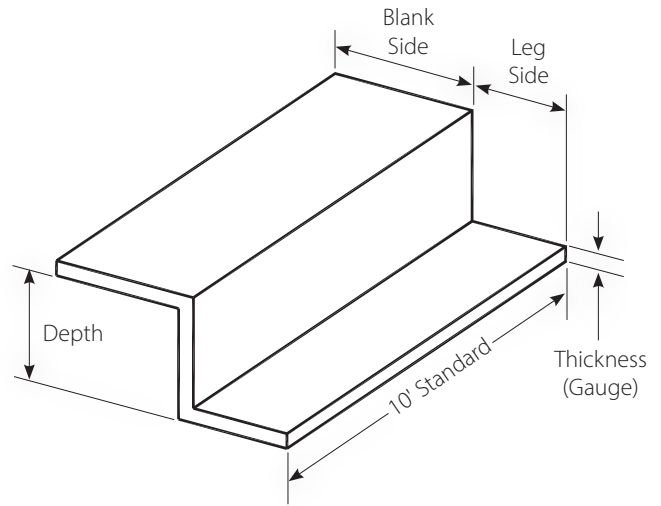


Z-Furring Channel

CEMCO's Z-Furring Channels are fabricated from hot-dipped galvanized steel complying with ASTM A653 with a minimum G40 coating meeting ASTM A924. The furring channels are fabricated in a variety of steel thicknesses (uncoated). Each channel is manufactured in various web depths and leg lengths (attachable flange). G60 and G90 coatings are available through special order and may require up-charges and extended lead times.

Steel Thickness

Product Code	Depth	Blank Side	Leg Side	Thickness (gauge)
25Z341114	1"	3/4"	1-1/4"	18 mil (25 ga)
20Z341114	1"	3/4"	1-1/4"	30 mil (20 ga)
25Z34112114	1-1/2"	3/4"	1-1/4"	18 mil (25 ga)
20Z34112114	1-1/2"	3/4"	1-1/4"	30 mil (20 ga)
20Z112112112	1-1/2"	1-1/2"	1-1/2"	30 mil (20 ga)
16Z112112112	1-1/2"	1-1/2"	1-1/2"	54 mil (16 ga)
25Z342114	2"	3/4"	1-1/4"	18 mil (25 ga)
20Z342114	2"	3/4"	1-1/4"	30 mil (20 ga)
25Z34212114	2-1/2"	3/4"	1-1/4"	18 mil (25 ga)
20Z34212114	2-1/2"	3/4"	1-1/4"	30 mil (20 ga)





Lined area for notes, consisting of numerous horizontal lines for writing.



A series of horizontal lines for taking notes, spanning the width of the page below the header.



Expanding Your Solutions

Corporate Headquarters

13191 Crossroads Parkway North, Suite 325, City of Industry, CA 91746

P: 800.775.2362 | **F:** 626.330.7598

Southern California Manufacturing Facility

263 North Covina Lane, City of Industry, CA 91746

P: 800.775.2362 | **F:** 626.330.7598

Northern California Manufacturing Facility

1001-A Pittsburg Antioch Hwy, Pittsburg, CA 94565

P: 925.473.9340 | **F:** 925.473.9341

Denver Colorado Manufacturing Facility

490 Osage Street, Denver, CO 80204

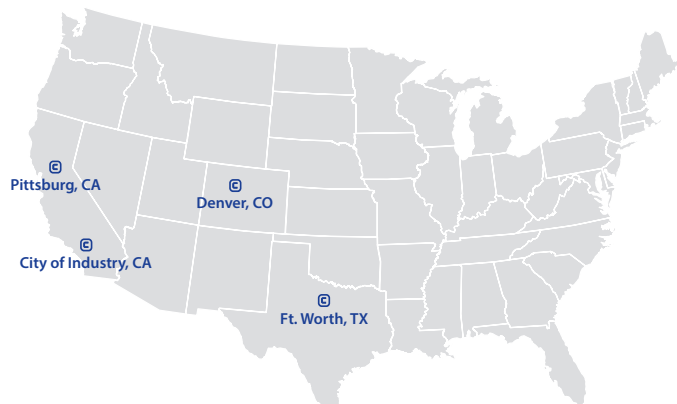
P: 303.572.3626 | **F:** 303.572.3627

Fort Worth Texas Manufacturing Facility

8600 Will Rogers Blvd, Fort Worth, TX 76140

P: 817.568.1525 | **F:** 817.568.2759

www.cemcosteel.com



Effective 09/16/2022