



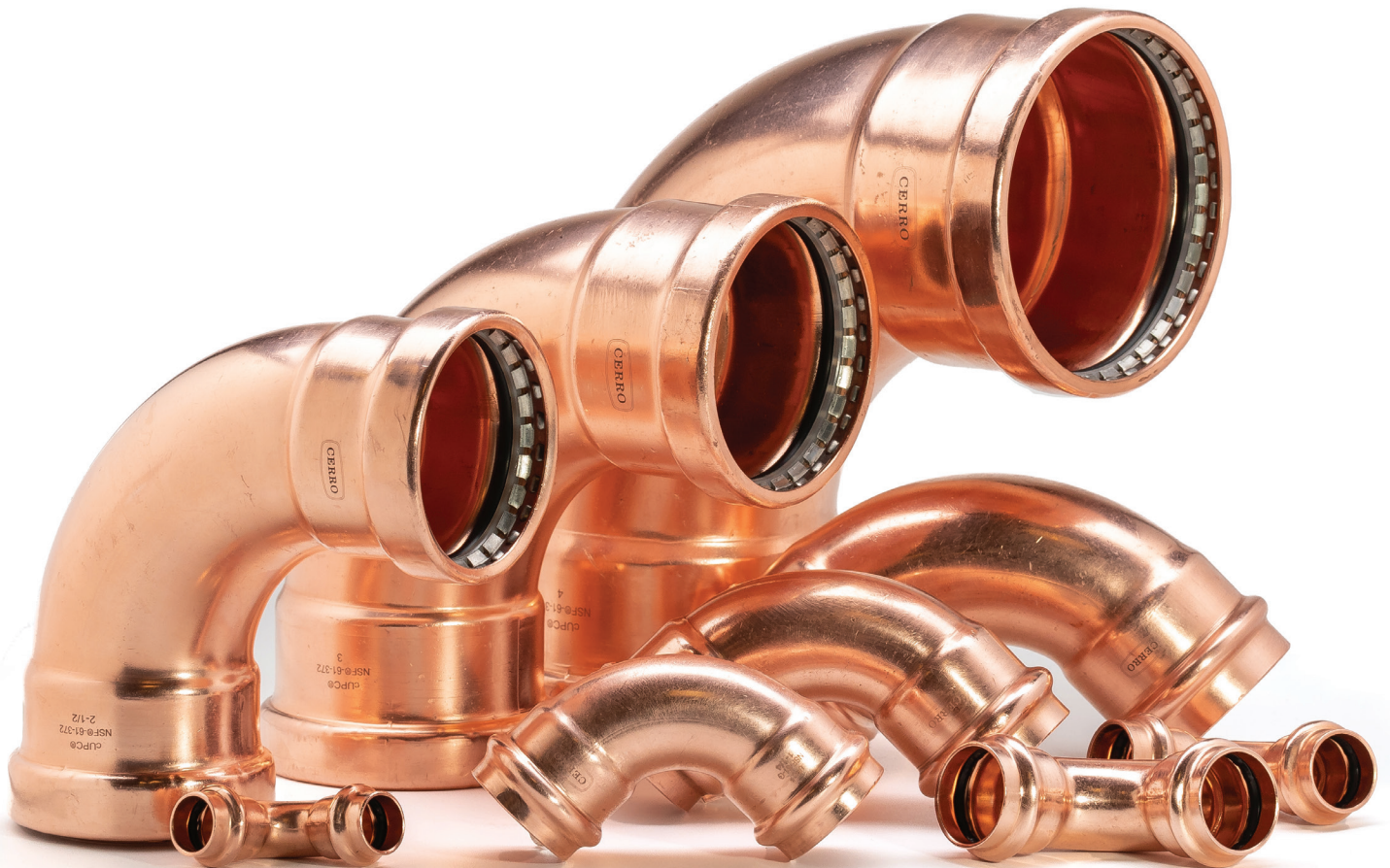
CERROPRESS®

Fittings Catalog



CONTENTS

ABOUT CERROFLOW PRODUCTS LLC AND CERROPRESS FITTINGS	1
SYSTEM APPLICATIONS.....	4
LISTINGS AND CERTIFICATIONS.....	5
CODES AND STANDARDS	5
SYSTEM DESIGN REQUIREMENTS OF PRESS FITTINGS.....	6
COMPATIBILITY WITH TUBE & TOOLS	7
WARRANTY INFORMATION	8
FITTINGS.....	9



ABOUT CERRO FLOW PRODUCTS LLC®:

Cerro Flow Products LLC® is a world-class copper tube manufacturer providing the plumbing, HVAC, refrigeration, and industrial markets. We are known for superior product quality, unparalleled customer service, and expert technical support. Cerro Flow Products LLC was founded in 1908, and built our first copper tube mill in 1939. Cerro Flow Products LLC has been producing “Made in America” copper tubing in Sauget IL, USA, across the Mississippi River from the St Louis Arch, for over 80 years.

ABOUT CERROPRESS® FITTINGS:

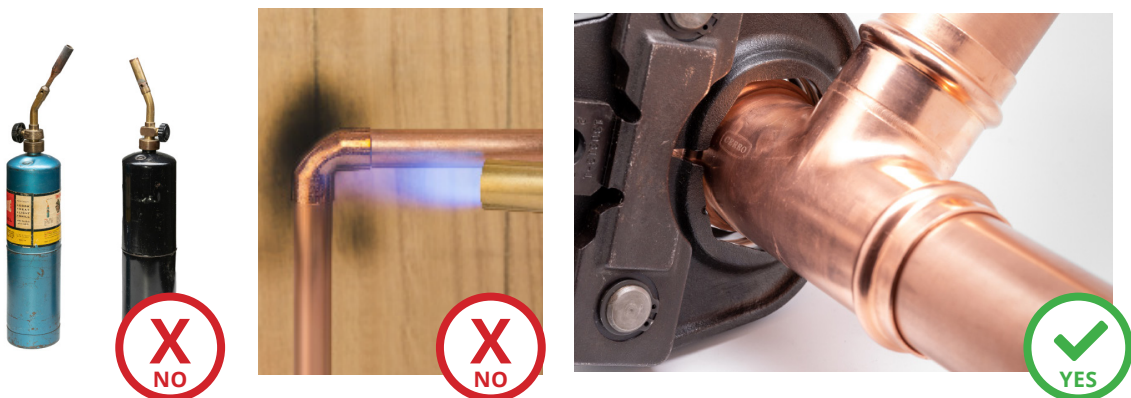
CerroPress® press-to-connect fittings are now available for contractors preferring flame-less, mechanical press joining. More professionals each day are choosing to join ASTM B88 seamless copper water tube (K, L, & M) copper tubing with press fitting technology. CerroTube™ can now be connected with CerroPress® fittings to create a system which is fast and economical while building on the reliable, proud tradition and reputation of Cerro Flow Products LLC®.

Cerro's wrought copper press fittings are 99.9% copper which means they are endlessly recyclable and thus the most environmentally friendly choice for plumbing and mechanical systems in residential, commercial and industrial markets. When installed with the correct press tools and methods, CerroPress® fittings provide confident, safe, proven, repeatable and consistent high performance. Press connections provide economy and value by saving time and labor.

CerroPress® wrought copper and zero lead cast brass fittings can join copper tube sizes ranging from ½ inch to 4 inch and include couplings, elbows, tees, adapters, reducers, bushings, caps, cross-overs, unions, di-electric unions, drop-ears, and flanges.

CerroPress® fittings are compatible with most common standard available press tools. Cold working copper fittings by pressing with a tool increases temper and hardness thus improving performance to create a permanent connection.

CerroPress® press-to-connect fittings eliminate open flames from soldering sweat-to-connect fittings or brazed joints. Unlike solder joints, press-to-connect fittings require no fire watch nor hot work permits which helps improve the economy of choosing press fittings.



CerroPress® fittings operating parameters are:

- MAWP (maximum allowable working pressure) 200 psig
- Temperature Range of -20 deg F to +250 deg F

CERROPRESS® KEY FEATURES

- Extensive offering of over 360 SKU's with connection types of press, street, and adapters for pipe thread, PEX, and bolted flange.
- Comprehensive stock of reducing tees
- Leak detection to identify un-crimped connections during pressure testing.
- Factory installed EPDM chloramine resistant sealing element/O-Ring which is factory installed and lubricated.
- Compatible with all common tools and jaws in North America.
- Highly engineered and quality controlled to increase reliability and performance which virtually eliminates joint creep and minimizes deflection.
- For use in plumbing or mechanical applications as described.
- Designed to join ASTM B88 (Types K, L, M) hard-drawn copper tube (1/2" — 4") and soft copper tube (1/2" — 1-1/4").



Each CerroPress® fitting is marked with the following:

- Manufacturer Mark
- NSF®-61-372
- cUPC®
- Size

Domestic water treatment typically involves disinfection using chlorine and ammonia which creates chloramine. CerroPress® fittings use a chloramine-resistant high performance EPDM (Ethylene Propylene Diene Monomer) rubber compound as sealing elements (sometimes called O-Rings) which are installed at the factory. Cerro's sealing element is pre-lubricated. Additional external lubrication applied during installation is not required and may degrade the sealing element's long term performance. Cerro's sealing element has a unique profile designed for snug fit in the fitting groove to prevent displacement during tube installation. Cerro's sealing element also features technology that allows quick identification of un-pressed fittings during the system pressure testing required by your local code authority and which is good plumbing practice.



EPDM sealing element possesses excellent resistance to aging, ozone, sunlight, weathering, environmental influences, chloramine water disinfection, many alkaline and glycol solutions as listed.



The #304 stainless steel grip ring (in sizes 2.5", 3", 4") bites into the tube and securely locks the fitting. A (Polyamide) PA 6 Nylon thermoplastic separator ring (a tough, abrasion-resistant material) protects the sealing element (O-Ring) from damage during installation and pressing. The EPDM sealing element ensures water-tight connections.

Please read and understand CerroPress® Installation Manual prior to installing CerroPress® fittings to increase safety, achieve designed performance, and reduce risk of property damage. Use only in approved applications.

CERROPRESS® SYSTEMS APPLICATIONS

APPROVED APPLICATIONS INCLUDE:

Domestic water distribution systems in residential, commercial, and industrial plumbing as described, and as verified with your local plumbing code official and AHJ.

- All tubing must comply with the ASTM B88 standard.
- Hot and Cold Potable Domestic Water
- Gray, and Drainage Water Systems
- Hydronic heating (w/ glycol)
- Condenser and Chilled water
- Water glycol mixtures of ethylene or propylene glycol up to 50% at 200° F
- Underground Facility Water

TYPE OF SERVICE	COMMENTS	PRESSURE	TEMPERATURE	COMPATIBLE WITH EPDM SEAL
FLUIDS/WATER POTABLE				
Hot and Cold Water	-	200 PSI	32° to 250° F	✓
Rainwater / Grey water	-	200 PSI	-20° to 250° F	✓
Chilled Water	Ethylene Glycol / Propylene Glycol	200 PSI	-20° to 250° F	✓
Hydronic Heating	Ethylene Glycol / Propylene Glycol	200 PSI	-20° to 250° F	✓
Cooling Water	Up to 50% Ethylene Glycol or Propylene Glycol Solution	200 PSI	-20° to 250° F	✓

NOT APPROVED APPLICATIONS INCLUDE:

The EPDM seals are not compatible with refrigerants. The pressure rating of the CerroPress® system is not sufficient for refrigerant gases.

Fluids containing hydrocarbon based oils are not compatible with EPDM sealing element (O-Rings).

Not approved for any application outside approved list.

Consult Cerro's Technical Services Department for information on applications not listed or applications outside listed temperature and pressure ranges. Techservice@cerroflow.com

CERROPRESS® LISTINGS AND CERTIFICATIONS

CerroPress® fittings alloy is C12200 which is 99.9% pure copper and meets requirements of NSF/ANSI-61 and NSF/ANSI-372 lead free.

CerroPress® fittings were subjected to a wide range of performance tests including hydrostatic burst strength, dimensional tolerance, unrestrained hydrostatic pressure, dynamic torque, static torque, bending, vacuum pressure, cyclic pressure, vibration, and thermo-cycling to comply with requirements of IAPMO PS-117 and ASME B16.51

BELOW: Example burst pressure test well exceeded 600 psi yielding a 3X safety factor for 200psig MAWP.



CerroPress® fittings are certified to the following standards:

- IAPMO PS-117: Press Connections
- NSF/ANSI 61: Drinking Water System Components – Health Effects
- NSF/ANSI 372: Drinking Water System Components – Lead Content*

*Zero Lead identifies products meeting the lead-free requirements of NSF 61 through testing per NSF/ANSI 372 (0.25% or less maximum weighted average lead content).



CODES AND STANDARDS

CerroPress® fittings comply with the following codes and standards:

- ASME B16.51: Copper and Copper Alloy Press-Connect Pressure Fittings
- ASME B31: Code for Pressure Piping
- ASTM B88: Standard Specification for Seamless Copper Water Tube
- IAPMO California Plumbing Code (CPC)
- IAPMO National Standard Plumbing Code (NSPC)
- IAPMO Uniform Mechanical Code (UMC)
- IAPMO Uniform Plumbing Code (UPC)
- ICC International Mechanical Code (IMC)
- ICC International Plumbing Code (IPC)
- ICC International Residential Code (IRC)
- National Building Code of Canada (NBCC)
- National Plumbing Code of Canada (NPCC)

SYSTEM DESIGN REQUIREMENTS OF PRESS FITTINGS:

Thermal expansion in installed systems generates stress on tubing and appliance connectors. Allow compensation for expansion and contraction that may occur with the tubing. Use expansion joints or mechanical expansion compensators to alleviate these stresses. CerroPress® systems do not require any additional protection when compared to soldered systems.

The following methods of thermal compensation are effective:

- Fixed and sliding hangers
- Expansion equalization joints (expansion bends)
- Expansion compensators

CerroPress® fittings with copper tubing are approved for underground installations and must meet all state and local codes, including those for underground. Obtain written approval prior to installation from the AHJ (Authority Having Jurisdiction).

“Copper water tubing has an outstanding history of corrosion resistance in most underground environments. Copper does not naturally corrode in most clays, chalks, loams, sands, and gravels. Certain aggressive soil conditions, however, can cause it to corrode.” Copper Development Association Inc.

Protect underground piping from corrosion in a manner approved by local codes. Properly size piping to minimize risk of erosion corrosion from excessive velocities.

CerroPress® fittings are approved for use in concealed spaces. As with all water supply and drainage systems, protect concealed fittings and tubing from puncture threats.

Protect copper water supply and drainage systems from ionic and cathodic corrosion due to mixing with other metals. When two or more different metals come into contact in an electrolyte (water), one metal (that's more reactive) acts as anode and the other (that's less reactive) acts as a cathode. The electro-potential difference between the reactions at the two electrodes is the driving force for an accelerated attack on the anode metal, which dissolves into the electrolyte; like a battery. This is commonly known as galvanic corrosion or bi-metallic corrosion or dissimilar metal corrosion.

To minimize risk of galvanic corrosion use CerroPress® di-electric unions when connecting copper to steel or galvanized steel pipe. Do not install copper tubing directly upstream from galvanized steel pipe. Select hangers that are galvanically compatible or insulated from copper tubing. Protect copper from corrosion due to nitrites, ammonium and all corrosive chemicals.

Design CerroPress® fittings to be sufficiently isolated from mechanical vibration and transient pressure defined as pressure that surges rapid accelerations into a water distribution system. The maximum operating pressure of CerroPress® fittings is 200 psi including pressure transients.

When pressed, CerroPress® fittings comply with Uniform Plumbing Code for electrical bonding. The mechanical pressing process ensures continuous metal-to-metal contact between the tube and fitting. Verify electrical bonding using plumbing system with your local AHJ.

CerroPress® has a complete library of BIM objects which are smart and adaptive. In addition, CerroPress® has a manufacturer's guide specification written in CSI 3-part format titled 22 11 16 Domestic Water Piping. For these resources and more, please visit www.cerropress.com and click on Resources Category - Architects and Engineers

COMPATIBILITY WITH TUBE & TOOLS

Copper and copper alloy fittings are compatible with ½ inch to 1¼ inch soft copper tubing and ½ inch to 4 inch hard copper tubing types K, L, and M. All copper tubing must comply with ASTM B88 standards.

TOOL & JAW COMPATIBILITY

The tools and jaws listed below are compatible when operated per instructions provided by the tool and jaw manufacturer.

Fitting Size 1/2" — 2"

• Milwaukee M12 Tool w/Compact Jaws	1/2" — 1-1/4"
• Milwaukee M18 Tool w/Standard Jaws	1/2" — 2"
• REMS Mini Tool w/Mini Jaws	1/2" — 1-1/4"
• REMS Standard Tools w/Standard Jaws	1/2" — 2"
• Ridgid Compact Tools w/Compact Jaws	1/2" — 1-1/4"
• Ridgid Standard Tools w/Standard Jaws	1/2" — 2"
• Rothenberger Compact Tool w/Compact Jaws	1/2" — 1"
• Rothenberger Standard Tools w/Standard Jaws	1/2" — 2"
• Stanley Virax Standard Tools w/Standard Jaws	1/2" — 2"

Fitting Size 2-1/2" — 4"

- Milwaukee M18 Tools w/Rings & Ring Jaw
- REMS Standard Tools w/Rings & Z5 Adapter Tong
- Ridgid Standard Tools w/ Rings & V2 Actuator Jaw

Follow press tool manufacturer's instructions for best practice and required periodic maintenance and calibration of both the tool and jaws. Failure to do so may cause improper pressing of fittings.

Please see CerroPress® Installation Manual for additional information regarding:

- Transportation and Material Inspection,
- Site Conditions and Storage Requirements,
- Design and Installation Requirements
- Quality Control and Pressure Testing
- Tools Required



LIMITED WARRANTY

LIMITED WARRANTY - CerroPress® by Cerro Flow Products LLC®

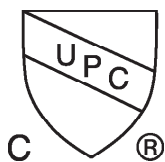
Unless otherwise provided by Cerro Flow Products LLC (Cerro) in writing, Cerro warrants that its CerroPress® fittings will be free from defects in material and workmanship for a period of 50 years after shipment when installed in accordance with the CerroPress® installation instructions using Cerro approved tools and jaws.

THESE ARE CERRO'S ONLY WARRANTIES. CERRO DISCLAIMS ALL OTHER EXPRESS OR IMPLIED WARRANTIES, INCLUDING, WITHOUT LIMITATION, THE IMPLIED WARRANTIES OF MERCHANTABILITY, NON-INFRINGEMENT AND FITNESS FOR A PARTICULAR PURPOSE.

If during the warranty period, Buyer notifies Cerro in writing that any products are not in conformity with the warranty and Cerro agrees, after inspection (at its option), then Cerro will repair, replace or refund the total amount received by Cerro therefore, at its sole option, provided Buyer returns such products to Cerro for inspection.

This shall be Buyer's exclusive remedy for Cerro's liability. Any claims not made during the warranty period are deemed waived. Any contract created between Cerro and Buyer is subject to the specific conditions that (a) Cerro is not obligated to provide insurance or indemnify Buyer, and (b) there are no flow-downs from any person or entity, including the federal government, that become part of the contract.

The forgoing warranties only cover copper to copper use and do not cover reimbursement for labor, transportation, removal, installation, de-installation or other expenses which may be incurred in connection with the return, repair or replacement or warranty claims. In no event shall Cerro be liable for any incidental, special, punitive, or consequential damages or lost profits of any kind or nature whatsoever resulting from the product or product performance.

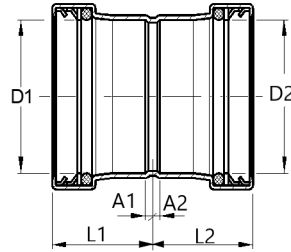
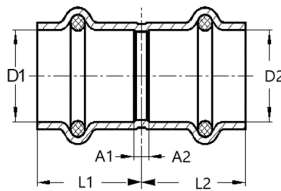


- NSF/ANSI 61-G/372 Lead Free
- ASME B16.51
- Uniform Plumbing Code (cUPC)
- IAPMO PS 117
- Copper Alloy C12200
- Potable Water
- EPDM O-Ring

For warranty and terms & conditions, please see www.cerropress.com

**CerroPress® is a registered trademark of
Cerro Flow Products, LLC® 3000 Mississippi Ave. Sauget IL 62206
(618)337-6000 | sales@cerroflow.com**

FITTINGS

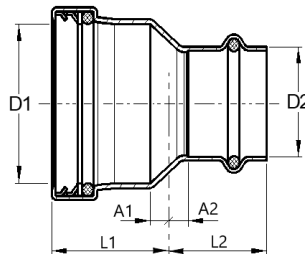
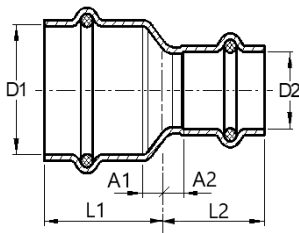


CERROPRESS 100 - Coupling with Stop

Part	Size	Type	L1 (in)	A1 (in)	L2 (in)	A2 (in)	L3 (in)	A3 (in)	Weight EACH (LBS)
10002	1/2"	P x P	0.807	0.059	0.807	0.059			0.080
10004	3/4"	P x P	1.024	0.079	1.024	0.079			0.13
10006	1"	P x P	1.024	0.079	1.024	0.079			0.16
10008	1-1/4"	P x P	1.220	0.079	1.220	0.079			0.24
10010	1-1/2"	P x P	1.516	0.079	1.516	0.079			0.47
10012	2"	P x P	1.673	0.079	1.673	0.079			0.60

CERROPRESS 100 - Coupling with Stop XL

10014	2-1/2"	P x P	2.165	0.472	2.165	0.472			1.21
10016	3"	P x P	2.461	0.492	2.461	0.492			1.67
10018	4"	P x P	2.894	0.531	2.894	0.531			2.88



CERROPRESS 101 - Coupling Reducer

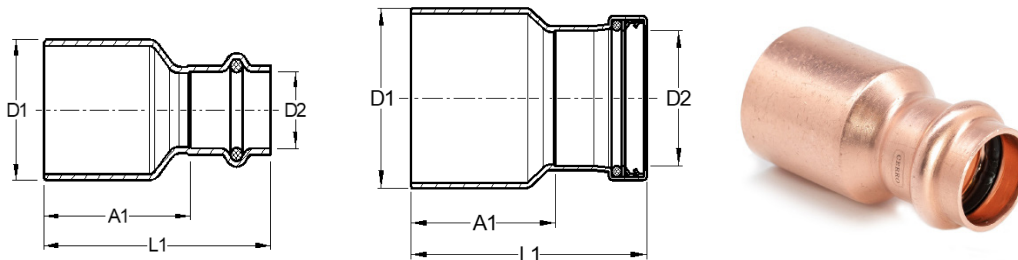
Part	Size	Type	L1 (in)	A1 (in)	L2 (in)	A2 (in)	L3 (in)	A3 (in)	Weight EACH (LBS)
10102	3/4" x 1/2"	P x P	1.181	0.177	0.925	0.177			0.12
10104	1" x 1/2"	P x P	1.260	0.256	1.004	0.256			0.17
10106	1" x 3/4"	P x P	1.181	0.177	1.063	0.177			0.18
10108	1-1/4" x 1/2"	P x P	1.565	0.364	1.112	0.364			0.26
10110	1-1/4" x 3/4"	P x P	1.486	0.285	1.171	0.285			0.26
10112	1-1/4" x 1"	P x P	1.407	0.207	1.093	0.207			0.26
10114	1-1/2" x 3/4"	P x P	1.929	0.413	1.299	0.413			0.43
10116	1-1/2" x 1"	P x P	1.831	0.315	1.201	0.315			0.43
10118	1-1/2" x 1-1/4"	P x P	1.752	0.236	1.319	0.236			0.40
10120	2" x 3/4"	P x P	2.273	0.600	1.486	0.600			0.60
10122	2" x 1"	P x P	2.165	0.492	1.378	0.492			0.59

CERROPRESS 101 - Coupling Reducer

Part	Size	Type	L1 (in)	A1 (in)	L2 (in)	A2 (in)	L3 (in)	A3 (in)	Weight EACH (LBS)
10124	2" x 1-1/4"	P x P	2.086	0.413	1.496	0.413			0.55
10126	2" x 1-1/2"	P x P	2.017	0.344	1.742	0.344			0.60

CERROPRESS 101 - Coupling Reducer XL

10128	2-1/2" x 1"	P x P	2.460	0.748	1.673	0.748			0.83
10130	2-1/2" x 1-1/4"	P x P	2.391	0.679	1.801	0.679			0.85
10132	2-1/2" x 1-1/2"	P x P	2.332	0.620	2.057	0.620			0.99
10134	2-1/2" x 2"	P x P	2.205	0.492	2.087	0.492			1.05
10135	3" x 1-1/4"	P x P	2.795	0.807	1.929	0.807			1.23
10136	3" x 1-1/2"	P x P	2.736	0.748	2.185	0.748			1.25
10138	3" x 2"	P x P	2.608	0.620	2.214	0.620			1.29
10140	3" x 2-1/2"	P x P	2.481	0.492	2.205	0.492			1.51
10142	4" x 2"	P x P	3.238	0.856	2.450	0.856			2.09
10144	4" x 2-1/2"	P x P	3.110	0.728	2.440	0.728			2.33
10146	4" x 3"	P x P	2.982	0.600	2.588	0.600			2.48

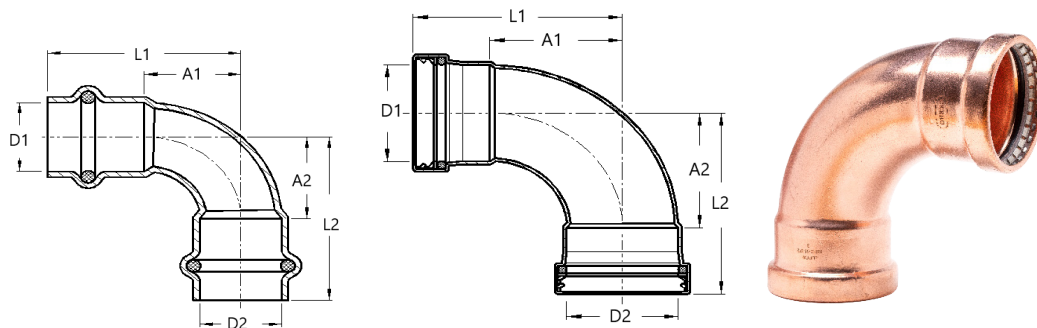


CERROPRESS 102 - Bushing Reducer

Part	Size	Type	L1 (in)	A1 (in)	L2 (in)	A2 (in)	L3 (in)	A3 (in)	Weight EACH (LBS)
10202	3/4" x 1/2"	FTG x P	2.146	1.339					0.10
10204	1" x 1/2"	FTG x P	2.323	1.516					0.13
10206	1" x 3/4"	FTG x P	2.244	1.299					0.14
10208	1-1/4" x 1/2"	FTG x P	2.638	1.831					0.17
10210	1-1/4" x 3/4"	FTG x P	2.638	1.693					0.20
10212	1-1/4" x 1"	FTG x P	2.520	1.575					0.19
10214	1-1/2" x 1/2"	FTG x P	3.031	2.224					0.32
10216	1-1/2" x 3/4"	FTG x P	3.110	2.165					0.28
10218	1-1/2" x 1"	FTG x P	2.953	2.008					0.30
10220	1-1/2" x 1-1/4"	FTG x P	3.031	1.890					0.30
10222	2" x 1/2"	FTG x P	3.661	2.854					0.54
10224	2" x 3/4"	FTG x P	3.740	2.795					0.53
10226	2" x 1"	FTG x P	3.543	2.598					0.41
10228	2" x 1-1/4"	FTG x P	3.583	2.441					0.42
10230	2" x 1-1/2"	FTG x P	3.701	2.244					0.46

CERROPRESS 102 - Bushing Reducer XL

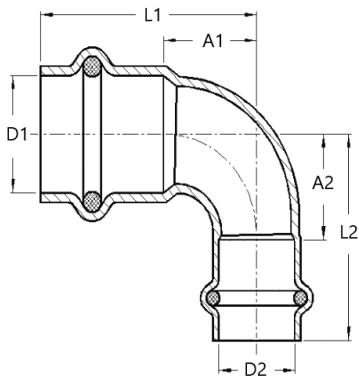
Part	Size	Type	L1 (in)	A1 (in)	L2 (in)	A2 (in)	L3 (in)	A3 (in)	Weight EACH (LBS)
10232	2-1/2" x 1"	FTG x P	4.252	3.307					0.75
10234	2-1/2" x 1-1/4"	FTG x P	4.055	2.913					0.74
10236	2-1/2" x 1-1/2"	FTG x P	4.291	2.835					0.88
10238	2-1/2" x 2"	FTG x P	4.252	2.638					0.78
10240	3" x 1-1/4"	FTG x P	4.528	3.386					1.01
10242	3" x 1-1/2"	FTG x P	4.921	3.465					1.16
10244	3" x 2"	FTG x P	4.803	3.189					0.89
10246	3" x 2-1/2"	FTG x P	4.528	2.835					1.19
10248	4" x 2"	FTG x P	6.181	4.567					1.89
10250	4" x 2-1/2"	FTG x P	5.787	4.094					2.12
10252	4" x 3"	FTG x P	5.709	3.740					2.30


CERROPRESS 103 - 90 Elbow

Part	Size	Type	L1 (in)	A1 (in)	L2 (in)	A2 (in)	L3 (in)	A3 (in)	Weight EACH (LBS)
10302	1/2"	P x P	1.555	0.748	1.555	0.748			0.11
10304	3/4"	P x P	1.673	0.728	1.673	0.728			0.17
10306	1"	P x P	2.244	1.299	2.244	1.299			0.28
10308	1-1/4"	P x P	2.323	1.181	2.323	1.181			0.40
10310	1-1/2"	P x P	2.717	1.260	2.717	1.260			0.71
10312	2"	P x P	3.780	2.165	3.780	2.165			1.15

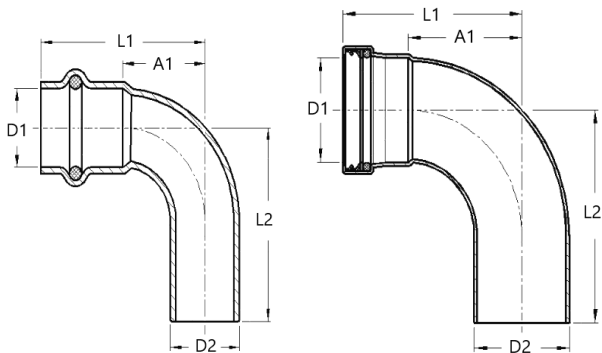
CERROPRESS 103 - 90 Elbow XL

10314	2-1/2"	P x P	4.882	3.189	4.882	3.189			2.10
10316	3"	P x P	5.728	3.760	5.728	3.760			3.03
10318	4"	P x P	7.264	4.902	7.264	4.902			5.73



CERROPRESS 103 - 90 Elbow Reducing

Part	Size	Type	L1 (in)	A1 (in)	L2 (in)	A2 (in)	L3 (in)	A3 (in)	Weight EACH (LBS)
10320	3/4" x 1/2"	P x P	1.831	0.886	1.752	0.945			0.15
10322	1" x 3/4"	P x P	2.303	1.358	2.008	1.063			0.25

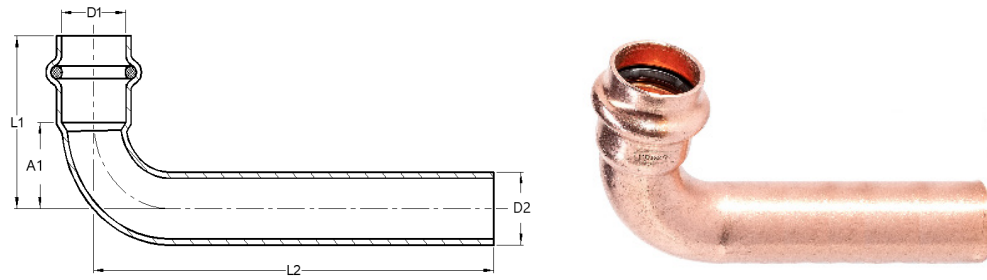


CERROPRESS 104 - 90 Street Elbow

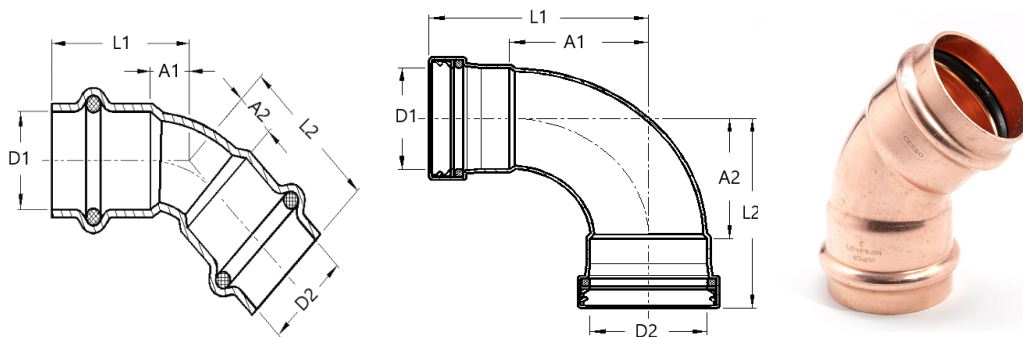
Part	Size	Type	L1 (in)	A1 (in)	L2 (in)	A2 (in)	L3 (in)	A3 (in)	Weight EACH (LBS)
10402	1/2"	P x FTG	1.555	0.748	1.732				0.10
10404	3/4"	P x FTG	1.673	0.728	1.870				0.16
10406	1"	P x FTG	2.244	1.299	2.362				0.27
10408	1-1/4"	P x FTG	2.323	1.181	2.520				0.37
10410	1-1/2"	P x FTG	2.717	1.260	2.835				0.67
10412	2"	P x FTG	3.780	2.165	3.819				1.11

CERROPRESS 104 - 90 Street Elbow XL

10414	2-1/2"	P x FTG	4.882	3.189	5.354				1.96
10416	3"	P x FTG	5.728	3.760	6.260				2.86
10418	4"	P x FTG	7.264	4.902	7.835				5.51

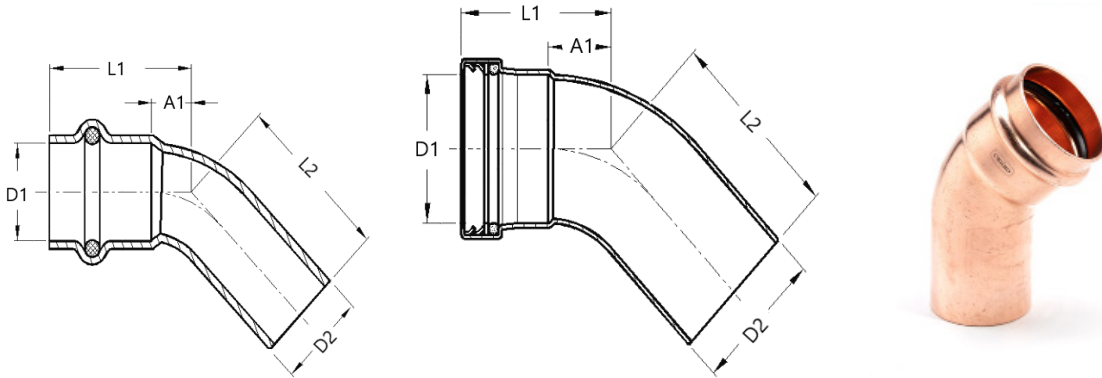


CERROPRESS 104 - 90 Extended Street Elbow									
Part	Size	Type	L1 (in)	A1 (in)	L2 (in)	A2 (in)	L3 (in)	A3 (in)	Weight EACH (LBS)
10420	3/4"	P x FTG	1.969	1.024	5.984				0.39



CERROPRESS 107 - 45 Elbow									
Part	Size	Type	L1 (in)	A1 (in)	L2 (in)	A2 (in)	L3 (in)	A3 (in)	Weight EACH (LBS)
10702	1/2"	P x P	1.102	0.295	1.102	0.295			0.09
10704	3/4"	P x P	1.398	0.453	1.398	0.453			0.14
10706	1"	P x P	1.417	0.472	1.417	0.472			0.22
10708	1-1/4"	P x P	1.969	0.827	1.969	0.827			0.32
10710	1-1/2"	P x P	2.303	0.846	2.303	0.846			0.62
10712	2"	P x P	2.441	0.827	2.441	0.827			0.84

CERROPRESS 107 - 45 Elbow XL									
Part	Size	Type	L1 (in)	A1 (in)	L2 (in)	A2 (in)	L3 (in)	A3 (in)	Weight EACH (LBS)
10714	2-1/2"	P x P	3.189	1.496	3.189	1.496			1.61
10716	3"	P x P	3.701	1.732	3.701	1.732			2.34
10718	4"	P x P	4.626	2.264	4.626	2.264			4.22

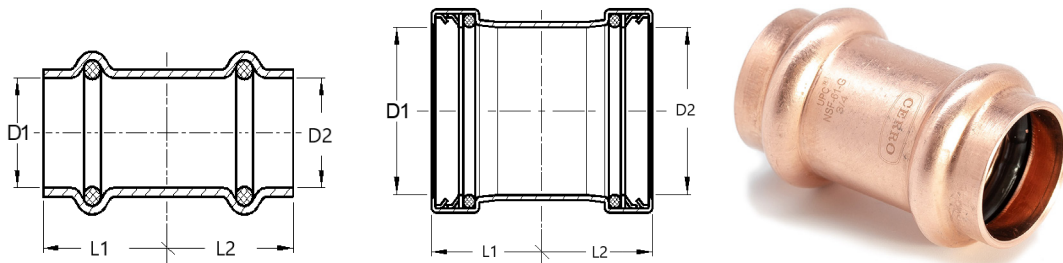


CERROPRESS 108 - 45 Street Elbow

Part	Size	Type	L1 (in)	A1 (in)	L2 (in)	A2 (in)	L3 (in)	A3 (in)	Weight EACH (LBS)
10802	1/2"	P x FTG	1.102	0.295	1.220				0.09
10804	3/4"	P x FTG	1.398	0.453	1.457				0.15
10806	1"	P x FTG	1.516	0.571	1.575				0.20
10808	1-1/4"	P x FTG	1.969	0.827	1.909				0.31
10810	1-1/2"	P x FTG	2.303	0.846	2.362				0.59
10812	2"	P x FTG	2.441	0.827	2.756				0.82

CERROPRESS 108 - 45 Street Elbow XL

10814	2-1/2"	P x FTG	3.189	1.496	3.583				1.56
10816	3"	P x FTG	3.701	1.732	4.094				2.19
10818	4"	P x FTG	4.626	2.264	5.079				4.02

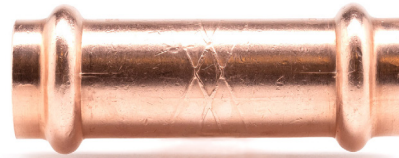
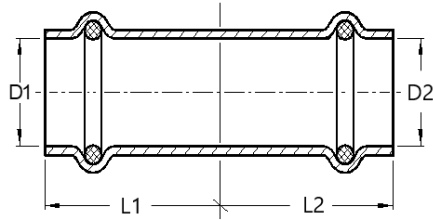


CERROPRESS 111 - Coupling No Stop

Part	Size	Type	L1 (in)	A1 (in)	L2 (in)	A2 (in)	L3 (in)	A3 (in)	Weight EACH (LBS)
11102	1/2"	P x P	0.846	0.000	0.846	0.000			0.08
11104	3/4"	P x P	1.024	0.000	1.024	0.000			0.13
11106	1"	P x P	1.024	0.000	1.024	0.000			0.16
11108	1-1/4"	P x P	1.220	0.000	1.220	0.000			0.24
11110	1-1/2"	P x P	1.516	0.000	1.516	0.000			0.47
11112	2"	P x P	1.673	0.000	1.673	0.000			0.59

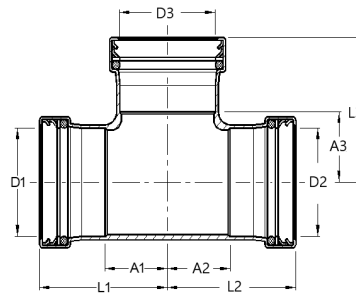
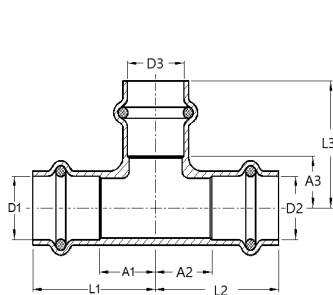
CERROPRESS 111 - Coupling No Stop XL

11114	2-1/2"	P x P	2.165	0.000	2.165	0.000			1.20
11116	3"	P x P	2.461	0.000	2.461	0.000			1.67
11118	4"	P x P	2.894	0.000	2.894	0.000			2.87



CERROPRESS 112 - Extended Coupling No Stop

Part	Size	Type	L1 (in)	A1 (in)	L2 (in)	A2 (in)	L3 (in)	A3 (in)	Weight EACH (LBS)
11202	1/2"	P x P	1.496	0.000	1.496	0.000			0.14
11204	3/4"	P x P	1.752	0.000	1.752	0.000			0.21
11206	1"	P x P	1.870	0.000	1.870	0.000			0.28
11208	1-1/4"	P x P	2.067	0.000	2.067	0.000			0.39
11210	1-1/2"	P x P	2.362	0.000	2.362	0.000			0.68
11212	2"	P x P	2.657	0.000	2.657	0.000			0.90

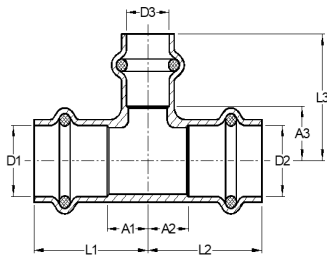


CERROPRESS 113 - Tee - Equal Legs

Part	Size	Type	L1 (in)	A1 (in)	L2 (in)	A2 (in)	L3 (in)	A3 (in)	Weight EACH (LBS)
11302	1/2"	P x P x P	1.555	0.748	1.555	0.748	1.280	0.472	0.17
11304	3/4"	P x P x P	1.791	0.846	1.791	0.846	1.594	0.650	0.29
11306	1"	P x P x P	1.909	0.965	1.909	0.965	1.732	0.787	0.40
11308	1-1/4"	P x P x P	2.126	0.984	2.126	0.984	1.969	0.827	0.52
11310	1-1/2"	P x P x P	2.618	1.161	2.618	1.161	2.756	1.299	0.88
11312	2"	P x P x P	2.992	1.378	2.992	1.378	3.150	1.535	1.10

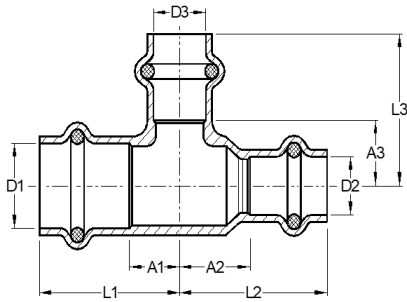
CERROPRESS 113 - Tee - Equal Legs XL

11314	2-1/2"	P x P x P	3.524	1.831	3.524	1.831	3.622	1.929	2.29
11316	3"	P x P x P	4.055	2.067	4.055	2.067	4.173	2.205	3.25
11318	4"	P x P x P	4.961	2.598	4.961	2.598	5.079	2.717	5.84

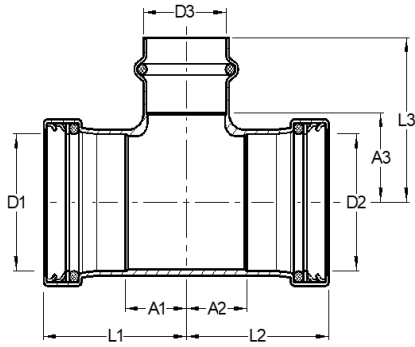


CERROPRESS 114 - Tee - Reducer Branch

Part	Size	Type	L1 (in)	A1 (in)	L2 (in)	A2 (in)	L3 (in)	A3 (in)	Weight EACH (LBS)
11402	1/2" x 1/2" x 3/4"	P x P x P	1.713	0.906	1.713	0.906	1.535	0.591	0.29
11404	1/2" x 1/2" x 1"	P x P x P	1.713	0.906	1.713	0.906	1.732	0.787	0.32
11410	3/4" x 3/4" x 1/2"	P x P x P	1.634	0.689	1.634	0.689	1.437	0.630	0.24
11412	3/4" x 3/4" x 1"	P x P x P	1.909	0.965	1.909	0.965	2.028	1.083	0.40
11424	1" x 1" x 1/2"	P x P x P	1.634	0.689	1.634	0.689	1.594	0.787	0.38
11426	1" x 1" x 3/4"	P x P x P	1.791	0.846	1.791	0.846	1.732	0.787	0.41
11428	1" x 1" x 1-1/4"	P x P x P	1.929	0.984	1.929	0.984	2.323	1.181	0.57
11448	1-1/4" x 1-1/4" x 1/2"	P x P x P	1.772	0.630	1.772	0.630	1.929	1.122	0.47
11450	1-1/4" x 1-1/4" x 3/4"	P x P x P	1.870	0.728	1.870	0.728	1.969	1.024	0.51
11452	1-1/4" x 1-1/4" x 1"	P x P x P	1.988	0.846	1.988	0.846	2.047	1.102	0.55
11466	1-1/2" x 1-1/2" x 1/2"	P x P x P	1.929	0.472	1.929	0.472	1.909	1.102	0.70
11468	1-1/2" x 1-1/2" x 3/4"	P x P x P	2.126	0.669	2.126	0.669	2.087	1.142	0.81
11470	1-1/2" x 1-1/2" x 1"	P x P x P	2.264	0.807	2.264	0.807	2.087	1.142	0.85
11472	1-1/2" x 1-1/2" x 1-1/4"	P x P x P	2.382	0.925	2.382	0.925	2.244	1.102	0.89
11488	2" x 2" x 1/2"	P x P x P	2.421	0.807	2.421	0.807	2.520	1.713	0.88
11490	2" x 2" x 3/4"	P x P x P	2.421	0.807	2.421	0.807	2.402	1.457	0.93
11492	2" x 2" x 1"	P x P x P	2.539	0.925	2.539	0.925	2.441	1.496	0.99
11494	2" x 2" x 1-1/4"	P x P x P	2.657	1.043	2.657	1.043	2.598	1.457	1.06
11496	2" x 2" x 1-1/2"	P x P x P	2.776	1.161	2.776	1.161	2.992	1.535	1.10

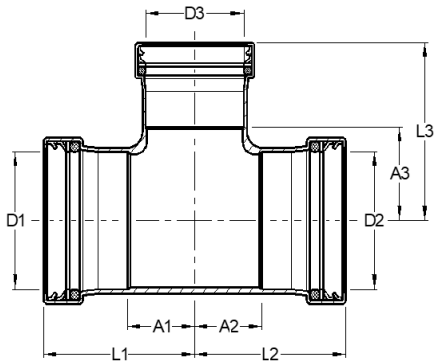


CERROPRESS 114 - Tee - Reducer									
Part	Size	Type	L1 (in)	A1 (in)	L2 (in)	A2 (in)	L3 (in)	A3 (in)	Weight EACH (LBS)
11406	3/4" x 1/2" x 1/2"	P x P x P	1.634	0.689	1.752	0.945	1.437	0.630	0.28
11408	3/4" x 1/2" x 3/4"	P x P x P	1.791	0.846	1.870	1.063	1.594	0.650	0.33
11413	1" x 1/2" x 1/2"	P x P x P	1.634	0.689	2.008	1.201	1.594	0.787	0.40
11414	1" x 1/2" x 3/4"	P x P x P	1.791	0.846	2.126	1.319	1.732	0.787	0.40
11416	1" x 1/2" x 1"	P x P x P	1.909	0.965	2.224	1.417	1.732	0.787	0.46
11418	1" x 3/4" x 1/2"	P x P x P	1.634	0.689	1.909	0.965	1.594	0.787	0.37
11420	1" x 3/4" x 3/4"	P x P x P	1.791	0.846	2.008	1.063	1.732	0.787	0.40
11422	1" x 3/4" x 1"	P x P x P	1.909	0.965	2.165	1.220	1.732	0.787	0.45
11430	1-1/4" x 3/4" x 1/2"	P x P x P	1.772	0.630	2.185	1.240	1.929	1.122	0.47
11432	1-1/4" x 3/4" x 3/4"	P x P x P	1.870	0.728	2.283	1.339	1.969	1.024	0.53
11434	1-1/4" x 3/4" x 1"	P x P x P	1.988	0.846	2.382	1.437	2.047	1.102	0.56
11436	1-1/4" x 1/2" x 1-1/4"	P x P x P	2.126	0.984	2.618	1.811	1.969	0.827	0.60
11438	1-1/4" x 3/4" x 1-1/4"	P x P x P	2.126	0.984	2.441	1.496	1.969	0.827	0.61
11440	1-1/4" x 1" x 1/2"	P x P x P	1.772	0.630	2.087	1.142	1.929	1.122	0.46
11442	1-1/4" x 1" x 3/4"	P x P x P	1.870	0.728	2.106	1.161	1.969	1.024	0.46
11444	1-1/4" x 1" x 1"	P x P x P	1.988	0.846	2.224	1.280	2.047	1.102	0.51
11446	1-1/4" x 1" x 1-1/4"	P x P x P	2.126	0.984	2.244	1.299	1.969	0.827	0.62
11454	1-1/2" x 1" x 3/4"	P x P x P	2.126	0.669	2.362	1.417	2.087	1.142	0.76
11456	1-1/2" x 1" x 1"	P x P x P	2.264	0.807	2.382	1.437	2.087	1.142	0.81
11458	1-1/2" x 1" x 1-1/2"	P x P x P	2.618	1.161	2.697	1.752	2.756	1.299	1.10
11460	1-1/2" x 1-1/4" x 3/4"	P x P x P	2.126	0.669	2.283	1.142	2.087	1.142	0.74
11462	1-1/2" x 1-1/4" x 1"	P x P x P	2.264	0.807	2.343	1.201	2.087	1.142	0.81
11464	1-1/2" x 1-1/4" x 1-1/4"	P x P x P	2.382	0.925	2.539	1.398	2.244	1.102	0.86
11465	1-1/2" x 1-1/4" x 1-1/2"	P x P x P	2.618	1.161	2.776	1.634	2.756	1.299	0.88
11474	2" x 1" x 1"	P x P x P	2.657	1.043	2.618	1.673	2.441	1.496	1.17
11476	2" x 1-1/4" x 1-1/4"	P x P x P	2.657	1.043	2.894	1.752	2.598	1.457	1.17
11478	2" x 1-1/2" x 3/4"	P x P x P	2.421	0.807	2.854	1.398	2.402	1.457	1.02
11480	2" x 1-1/2" x 1"	P x P x P	2.539	0.925	2.933	1.476	2.441	1.496	1.10
11482	2" x 1-1/2" x 1-1/4"	P x P x P	2.657	1.043	3.091	1.634	2.598	1.457	1.23
11484	2" x 1-1/2" x 1-1/2"	P x P x P	2.776	1.161	3.248	1.791	2.992	1.535	1.36
11486	2" x 1-1/2" x 2"	P x P x P	2.992	1.378	3.425	1.969	3.150	1.535	1.32

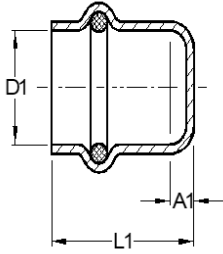


CERROPRESS 115 - Tee - Reducer Branch XL

Part	Size	Type	L1 (in)	A1 (in)	L2 (in)	A2 (in)	L3 (in)	A3 (in)	Weight EACH (LBS)
11522	2-1/2" x 2-1/2" x 1/2"	P x P x P	3.228	1.535	3.228	1.535	3.898	3.130	1.48
11524	2-1/2" x 2-1/2" x 3/4"	P x P x P	3.228	1.535	3.228	1.535	3.878	2.972	1.46
11526	2-1/2" x 2-1/2" x 1"	P x P x P	3.228	1.535	3.228	1.535	3.760	2.854	1.52
11528	2-1/2" x 2-1/2" x 1-1/4"	P x P x P	3.228	1.535	3.228	1.535	3.819	2.717	1.63
11530	2-1/2" x 2-1/2" x 1-1/2"	P x P x P	3.228	1.535	3.228	1.535	4.016	2.598	1.81
11532	2-1/2" x 2-1/2" x 2"	P x P x P	3.228	1.535	3.228	1.535	3.504	1.929	1.94
11554	3" x 3" x 1/2"	P x P x P	3.504	1.575	3.504	1.575	4.193	3.425	1.95
11556	3" x 3" x 3/4"	P x P x P	3.504	1.575	3.504	1.575	4.173	3.268	1.99
11558	3" x 3" x 1"	P x P x P	3.504	1.575	3.504	1.575	4.055	3.150	2.06
11560	3" x 3" x 1-1/4"	P x P x P	3.504	1.575	3.504	1.575	4.114	3.012	2.13
11562	3" x 3" x 1-1/2"	P x P x P	3.504	1.575	3.504	1.575	4.311	2.894	2.33
11564	3" x 3" x 2"	P x P x P	3.504	1.575	3.504	1.575	3.799	2.224	2.50
11566	3" x 3" x 2-1/2"	P x P x P	3.819	1.850	3.819	1.850	3.858	2.165	2.90
11572	4" x 4" x 1/2"	P x P x P	3.976	1.594	3.976	1.594	4.626	3.858	3.37
11574	4" x 4" x 3/4"	P x P x P	3.976	1.594	3.976	1.594	4.606	3.701	3.40
11576	4" x 4" x 1"	P x P x P	3.976	1.594	3.976	1.594	4.488	3.583	3.65
11578	4" x 4" x 1-1/4"	P x P x P	3.976	1.594	3.976	1.594	4.547	3.445	3.67
11580	4" x 4" x 1-1/2"	P x P x P	3.976	1.594	3.976	1.594	4.744	3.327	3.79
11582	4" x 4" x 2"	P x P x P	3.976	1.594	3.976	1.594	4.232	2.657	4.02
11584	4" x 4" x 2-1/2"	P x P x P	4.252	1.890	4.252	1.890	4.350	2.657	4.54
11586	4" x 4" x 3"	P x P x P	4.468	1.713	4.468	2.126	4.646	2.677	4.86

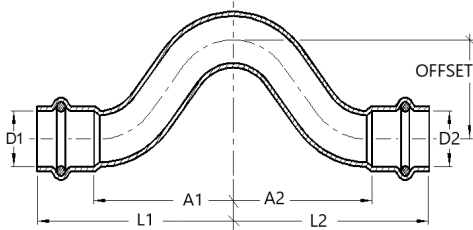


CERROPRESS 115 - Tee - Reducer XL										
Part	Size	Type	L1 (in)	A1 (in)	L2 (in)	A2 (in)	L3 (in)	A3 (in)	Weight EACH (LBS)	
11502	2-1/2" x 3/4" x 2-1/2"	P x P x P	3.524	1.831	4.350	3.445	3.622	1.929	2.06	
11504	2-1/2" x 1" x 2-1/2"	P x P x P	3.524	1.831		3.287	3.622	1.929	2.02	
11506	2-1/2" x 1-1/4" x 2-1/2"	P x P x P	3.524	1.831	4.252	3.150	3.622	1.929	2.08	
11508	2-1/2" x 1-1/2" x 2-1/2"	P x P x P	3.524	1.831	4.449	3.031	3.622	1.929	2.21	
11510	2-1/2" x 2" x 3/4"	P x P x P	3.228	1.535	4.094	2.520	3.878	2.972	1.40	
11512	2-1/2" x 2" x 1"	P x P x P	3.228	1.535	4.094	2.520	3.760	2.854	1.42	
11514	2-1/2" x 2" x 1-1/4"	P x P x P	3.228	1.535	4.094	2.520	3.819	2.717	1.59	
11516	2-1/2" x 2" x 1-1/2"	P x P x P	3.228	1.535	4.094	2.520	4.016	2.598	1.67	
11518	2-1/2" x 2" x 2"	P x P x P	3.228	1.535	4.094	2.520	3.504	1.929	1.84	
11520	2-1/2" x 2" x 2-1/2"	P x P x P	3.524	1.831	4.350	2.776	3.622	1.929	2.17	
11534	3" x 3/4" x 3"	P x P x P	4.055	2.067	4.843	3.937	4.173	2.205	2.96	
11536	3" x 1" x 3"	P x P x P	4.055	2.067	4.705	3.799	4.173	2.205	2.89	
11538	3" x 1-1/4" x 3"	P x P x P	4.055	2.067	4.764	3.661	4.173	2.205	2.93	
11540	3" x 1-1/2" x 3"	P x P x P	4.055	2.067	4.961	3.543	4.173	2.205	3.05	
11542	3" x 2" x 2"	P x P x P	3.504	1.575	4.350	2.776	3.799	2.224	2.33	
11544	3" x 2" x 2-1/2"	P x P x P	3.819	1.85	4.606	3.031	3.858	2.165	2.61	
11546	3" x 2" x 3"	P x P x P	4.055	2.067	4.862	3.287	4.173	2.205	2.96	
11548	3" x 2-1/2" x 2"	P x P x P	3.504	1.575	4.213	2.520	3.799	2.224	2.47	
11550	3" x 2-1/2" x 2-1/2"	P x P x P	3.819	1.85	4.468	2.776	3.858	2.165	2.87	
11552	3" x 2-1/2" x 3"	P x P x P	4.055	2.067	4.724	3.031	4.173	2.205	3.18	
11568	4" x 3" x 2"	P x P x P	3.976	1.594	4.744	2.776	4.232	2.657	4.04	
11570	4" x 3" x 3"	P x P x P	4.468	1.713	5.276	3.307	4.646	2.677	4.92	

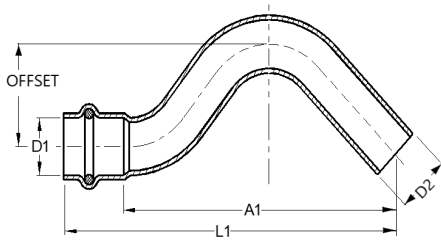


CERROPRESS 137 - Cap									
Part	Size	Type	L1 (in)	A1 (in)	L2 (in)	A2 (in)	L3 (in)	A3 (in)	Weight EACH (LBS)
13702	1/2"	P	0.945	0.138					0.06
13704	3/4"	P	1.063	0.118					0.09
13706	1"	P	1.063	0.118					0.12
13708	1-1/4"	P	1.260	0.118					0.19
13710	1-1/2"	P	1.693	0.236					0.33
13712	2"	P	1.850	0.236					0.44

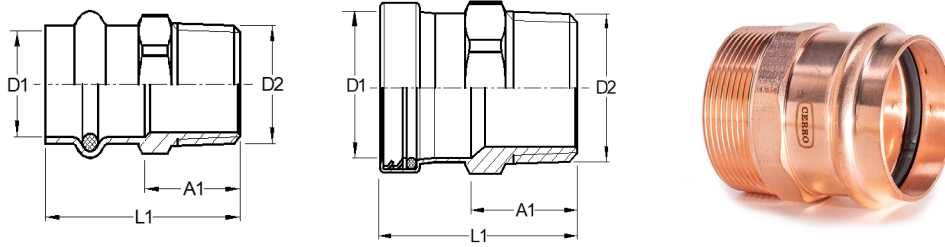
CERROPRESS 137 - Cap XL									
Part	Size	Type	L1 (in)	A1 (in)	L2 (in)	A2 (in)	L3 (in)	A3 (in)	Weight EACH (LBS)
13714	2-1/2"	P	2.421	0.728					0.74
13716	3"	P	2.697	0.728					1.03
13718	4"	P	3.051	0.689					1.85



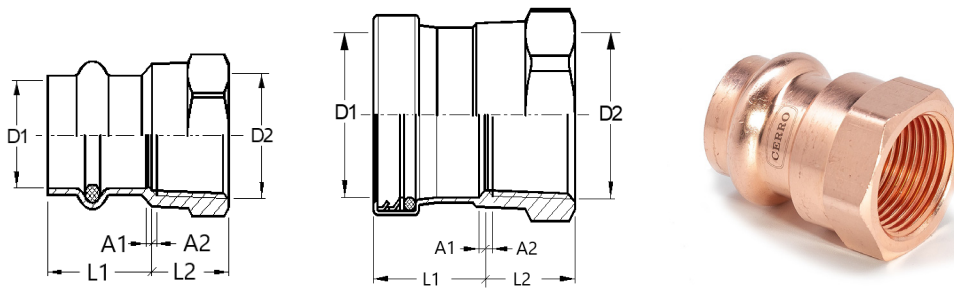
CERROPRESS 138 - Cross Over									
Part	Size	Type	L1 (in)	A1 (in)	L2 (in)	A2 (in)	L3 (in)	A3 (in)	Weight EACH (LBS)
13802	1/2"	P x P	2.598	1.791	2.598	1.791			0.24
13804	3/4"	P x P	3.169	2.224	3.169	2.224			0.41



CERROPRESS 148 - Street Cross Over									
Part	Size	Type	L1 (in)	A1 (in)	L2 (in)	A2 (in)	L3 (in)	A3 (in)	Weight EACH (LBS)
14802	1/2"	FTG x P	4.606	3.799					0.19
14804	3/4"	FTG x P	5.551	4.606					0.32



CERROPRESS 301 - Male Adapter									
Part	Size	Type	L1 (in)	A1 (in)	L2 (in)	A2 (in)	L3 (in)	A3 (in)	Weight EACH (LBS)
30102	1/2"	P x MPT	1.693	0.886					0.11
30104	3/4"	P x MPT	1.890	0.945					0.19
30106	1"	P x MPT	2.165	1.220					0.28
30108	1-1/4"	P x MPT	2.205	1.063					0.37
30110	1-1/2"	P x MPT	2.638	1.181					0.63
30112	2"	P x MPT	3.071	1.457					0.89
30120	1/2" x 3/8"	P x MPT	1.654	0.846					0.08
30122	1/2" x 3/4"	P x MPT	1.772	0.965					0.19
30124	3/4" x 1/2"	P x MPT	2.047	1.102					0.17
30126	3/4" x 1"	P x MPT	2.047	1.102					0.30
30128	1" x 1/2"	P x MPT	2.126	1.181					0.31
30130	1" x 3/4"	P x MPT	1.929	0.984					0.24
30132	1" x 1-1/4"	P x MPT	2.087	1.142					0.45
30134	1-1/4" x 1"	P x MPT	2.205	1.063					0.34
30136	1-1/4" x 1-1/2"	P x MPT	2.283	1.142					0.59
30138	1-1/2" x 1-1/4"	P x MPT	2.697	1.240					0.59
30140	1-1/2" x 2"	P x MPT	2.638	1.181					1.00
30142	2" x 1-1/2"	P x MPT	2.835	1.220					0.92
CERROPRESS 301 - Male Adapter XL									
30114	2-1/2"	P x MPT	3.780	2.087					1.62
30116	3"	P x MPT	4.134	2.165					2.23
30118	4"	P x MPT	4.685	2.323					3.82

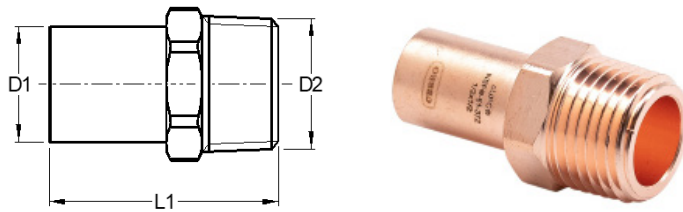


CERROPRESS 302 - Female Adapter

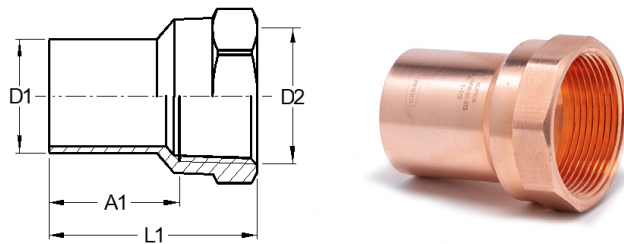
Part	Size	Type	L1 (in)	A1 (in)	L2 (in)	A2 (in)	L3 (in)	A3 (in)	Weight EACH (LBS)
30202	1/2"	P x FPT	0.886	0.138	0.728	0.138			0.10
30204	3/4"	P x FPT	0.994	0.108	0.817	0.108			0.17
30206	1"	P x FPT	0.984	0.098	0.905	0.098			0.25
30208	1-1/4"	P x FPT	1.201	0.118	1.004	0.118			0.34
30210	1-1/2"	P x FPT	1.506	0.108	1.013	0.108			0.53
30212	2"	P x FPT	1.663	0.108	1.171	0.108			0.78
30220	1/2" x 3/8"	P x FPT	0.925	0.177	0.689	0.177			0.09
30222	1/2" x 3/4"	P x FPT	0.856	0.108	0.797	0.108			0.15
30224	3/4" x 1/2"	P x FPT	0.975	0.089	0.640	0.089			0.17
30226	1" x 1/2"	P x FPT	1.171	0.285	0.915	0.285			0.29
30228	1" x 3/4"	P x FPT	0.955	0.069	0.777	0.069			0.22
30230	1" x 1-1/4"	P x FPT	1.043	0.157	1.083	0.157			0.46
30232	1-1/4" x 1"	P x FPT	1.162	0.079	0.925	0.079			0.29
30234	1-1/4" x 1-1/2"	P x FPT	1.191	0.108	1.013	0.108			0.62
30236	1-1/2" x 1-1/4"	P x FPT	1.516	0.118	0.964	0.118			0.46

CERROPRESS 302 - Female Adapter XL

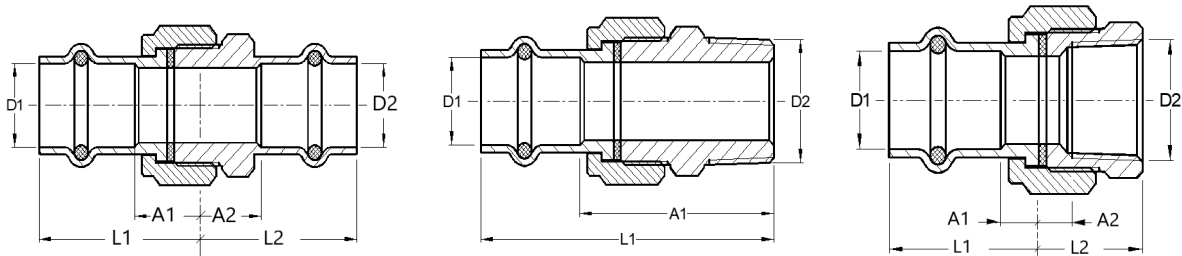
30214	2-1/2"	P x FPT	2.165	0.492	1.418	0.492			1.60
30216	3"	P x FPT	2.431	0.482	1.506	0.482			2.20
30218	4"	P x FPT	2.796	0.453	1.574	0.453			3.80



CERROPRESS 303 - Male Street Adapter									
Part	Size	Type	L1 (in)	A1 (in)	L2 (in)	A2 (in)	L3 (in)	A3 (in)	Weight EACH (LBS)
30302	1/2"	FTG x MPT	1.772						0.11
30304	3/4"	FTG x MPT	1.969						0.16
30306	1"	FTG x MPT	2.126						0.24
30308	1-1/4"	FTG x MPT	2.480						0.51
30310	1-1/2"	FTG x MPT	2.874						0.59
30312	2"	FTG x MPT	3.189						0.91
30314	1/2" x 3/8"	FTG x MPT	1.693						0.07
30316	1/2" x 3/4"	FTG x MPT	1.929						0.16
30318	3/4" x 1/2"	FTG x MPT	1.929						0.10
30320	1" x 3/4"	FTG x MPT	1.969						0.18



CERROPRESS 304 - Female Street Adapter									
Part	Size	Type	L1 (in)	A1 (in)	L2 (in)	A2 (in)	L3 (in)	A3 (in)	Weight EACH (LBS)
30402	1/2"	FTG x FPT	1.732	1.181					0.11
30404	3/4"	FTG x FPT	1.929	1.299					0.15
30406	1"	FTG x FPT	1.988	1.280					0.27
30408	1-1/4"	FTG x FPT	2.323	1.535					0.40
30410	1-1/2"	FTG x FPT	2.579	1.752					0.53
30412	2"	FTG x FPT	3.071	2.087					0.85
30414	1/2" x 3/8"	FTG x FPT	1.575	1.102					0.07
30416	1/2" x 3/4"	FTG x FPT	1.929	1.299					0.14
30418	3/4" x 1/2"	FTG x FPT	1.732	1.181					0.11
30420	1" x 1/2"	FTG x FPT	1.811	1.260					0.18
30422	1-1/4" x 1/2"	FTG x FPT	2.028	1.476					0.28



CERROPRESS 305 - Union P x P

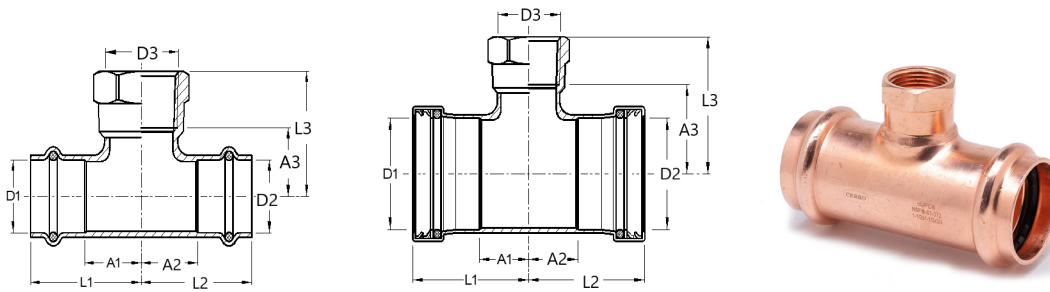
Part	Size	Type	L1 (in)	A1 (in)	L2 (in)	A2 (in)	L3 (in)	A3 (in)	Weight EACH (LBS)
30502	1/2"	P x P	1.398	0.591	1.398	0.591			0.33
30504	3/4"	P x P	1.496	0.551	1.496	0.551			0.49
30506	1"	P x P	1.506	0.561	1.506	0.561			0.86
30508	1-1/4"	P x P	1.713	0.571	1.713	0.571			1.07
30510	1-1/2"	P x P	2.047	0.591	2.047	0.591			1.76
30512	2"	P x P	2.283	0.669	2.283	0.669			2.89

CERROPRESS 306 - Union P x MPT

Part	Size	Type	L1 (in)	A1 (in)	L2 (in)	A2 (in)	L3 (in)	A3 (in)	Weight EACH (LBS)
30602	1/2"	P x MPT	2.579	1.772					0.31
30604	3/4"	P x MPT	2.717	1.772					0.50
30606	1"	P x MPT	2.894	1.949					0.89
30608	1-1/4"	P x MPT	3.268	2.126					1.13
30610	1-1/2"	P x MPT	3.622	2.165					1.60
30612	2"	P x MPT	3.976	2.362					2.84

CERROPRESS 307 - Union P x FPT

Part	Size	Type	L1 (in)	A1 (in)	L2 (in)	A2 (in)	L3 (in)	A3 (in)	Weight EACH (LBS)
30702	1/2"	P x FPT	1.083	0.335	0.906	0.335			0.29
30704	3/4"	P x FPT	1.191	0.305	0.955	0.305			0.41
30706	1"	P x FPT	1.211	0.325	1.053	0.325			0.80
30708	1-1/4"	P x FPT	1.585	0.502	1.348	0.502			0.97
30710	1-1/2"	P x FPT	1.733	0.335	1.181	0.335			1.68
30712	2"	P x FPT	1.929	0.374	1.378	0.374			2.85

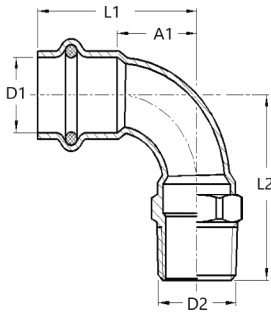


CERROPRESS 310 - Tee - Adapter

Part	Size	Type	L1 (in)	A1 (in)	L2 (in)	A2 (in)	L3 (in)	A3 (in)	Weight EACH (LBS)
31002	1/2"	P x P x FPT	1.555	0.748	1.555	0.748	1.437	0.886	0.25
31004	3/4" x 3/4" x 1/4"	P x P x FPT	1.634	0.689	1.634	0.689	1.339	0.925	0.25
31006	3/4" x 3/4" x 1/2"	P x P x FPT	1.791	0.846	1.791	0.846	1.398	0.846	0.30
31008	3/4"	P x P x FPT	1.791	0.846	1.791	0.846	1.634	1.004	0.35
31010	1" x 1" x 1/2"	P x P x FPT	1.791	0.846	1.791	0.846	1.713	1.161	0.42
31012	1" x 1" x 3/4"	P x P x FPT	1.909	0.965	1.909	0.965	1.850	1.220	0.49
31014	1-1/4" x 1-1/4" x 1/2"	P x P x FPT	1.870	0.728	1.870	0.728	1.673	1.122	0.53
31016	1-1/4" x 1-1/4" x 3/4"	P x P x FPT	1.988	0.846	1.988	0.846	1.811	1.181	0.60
31018	1-1/2" x 1-1/2" x 1/2"	P x P x FPT	2.126	0.669	2.126	0.669	1.831	1.280	0.81
31020	1-1/2" x 1-1/2" x 3/4"	P x P x FPT	2.264	0.807	2.264	0.807	1.969	1.339	0.90
31022	2" x 2" x 1/2"	P x P x FPT	2.539	0.925	2.539	0.925	2.087	1.535	1.15
31024	2" x 2" x 3/4"	P x P x FPT	2.539	0.925	2.539	0.925	2.303	1.673	1.30

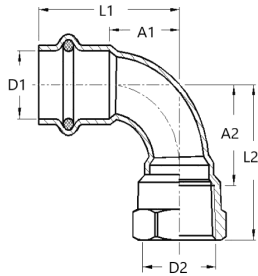
CERROPRESS 310 - Tee - Adapter XL

31026	2-1/2" x 2-1/2" x 3/4"	P x P x FPT	3.228	1.535	3.228	1.535	3.622	3.051	1.54
31028	2-1/2" x 2-1/2" x 2"	P x P x FPT	3.228	1.535	3.228	1.535	3.287	2.579	2.15
31030	3" x 3" x 3/4"	P x P x FPT	3.504	1.575	3.504	1.575	3.917	3.346	2.04
31032	3" x 3" x 2"	P x P x FPT	3.504	1.575	3.504	1.575	3.583	2.874	2.78
31034	4" x 4" x 3/4"	P x P x FPT	3.976	1.594	3.976	1.594	4.350	3.780	3.48
31036	4" x 4" x 2"	P x P x FPT	3.976	1.594	3.976	1.594	4.016	3.307	4.30



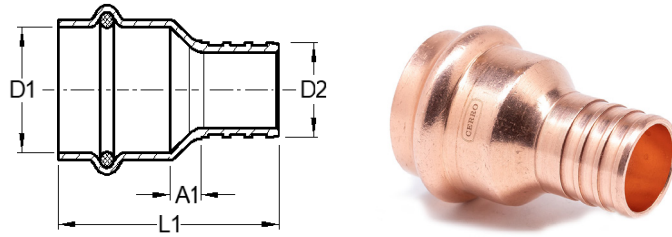
CERROPRESS 314 - Male Elbow 90

Part	Size	Type	L1 (in)	A1 (in)	L2 (in)	A2 (in)	L3 (in)	A3 (in)	Weight EACH (LBS)
31402	1/2" x 3/4"	P x MPT	1.732	0.925	2.146				0.27
31404	3/4" x 1/2"	P x MPT	2.028	1.083	2.106				0.25
31406	1-1/4"	P x MPT	2.638	1.496	3.031				0.67
31408	1-1/2"	P x MPT	3.228	1.772	3.386				0.96
31410	2"	P x MPT	3.976	2.362	4.370				1.61

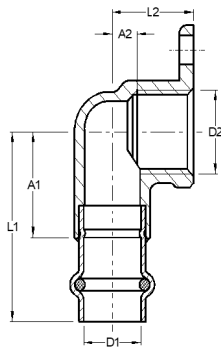


CERROPRESS 315 - Female Elbow 90

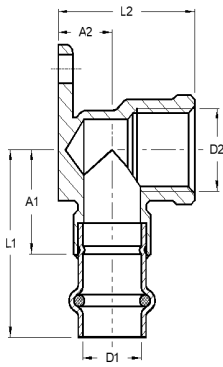
Part	Size	Type	L1 (in)	A1 (in)	L2 (in)	A2 (in)	L3 (in)	A3 (in)	Weight EACH (LBS)
31502	1/2"	P x FPT	1.732	0.925	1.811	1.299			0.18
31504	3/4"	P x FPT	2.028	1.083	2.087	1.496			0.30
31506	1"	P x FPT	2.244	1.299	2.520	1.850			0.46
31508	1-1/4"	P x FPT	2.638	1.496	3.012	2.224			0.67
31510	1-1/2"	P x FPT	3.228	1.772	3.268	2.480			0.96
31512	2"	P x FPT	3.976	2.362	4.213	3.268			1.61
31514	1/2" x 3/8"	P x FPT	1.555	0.748	1.457	1.024			0.14
31516	1/2" x 3/4"	P x FPT	1.732	0.925	1.929	1.339			0.27
31518	3/4" x 1/2"	P x FPT	2.028	1.083	1.969	1.457			0.25
31520	1" x 1/2"	P x FPT	2.244	1.299	2.224	1.713			0.30



CERROPRESS 316 - PEX Adapter									
Part	Size	Type	L1 (in)	A1 (in)	L2 (in)	A2 (in)	L3 (in)	A3 (in)	Weight EACH (LBS)
31602	1/2"	P x PEX	1.732	0.295					0.06
31604	1/2" x 3/4"	P x PEX	1.594	0.157					0.09
31606	3/4" x 1/2"	P x PEX	2.028	0.453					0.09
31608	3/4"	P x PEX	1.929	0.354					0.10
31610	1"	P x PEX	2.126	0.394					0.15

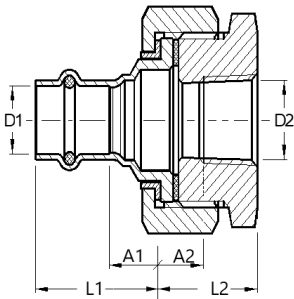


CERROPRESS 325 - 90 Hi Ear Elbow									
Part	Size	Type	L1 (in)	A1 (in)	L2 (in)	A2 (in)	L3 (in)	A3 (in)	Weight EACH (LBS)
32502	1/2"	P x FPT	1.772	0.945	0.906	0.394			0.22



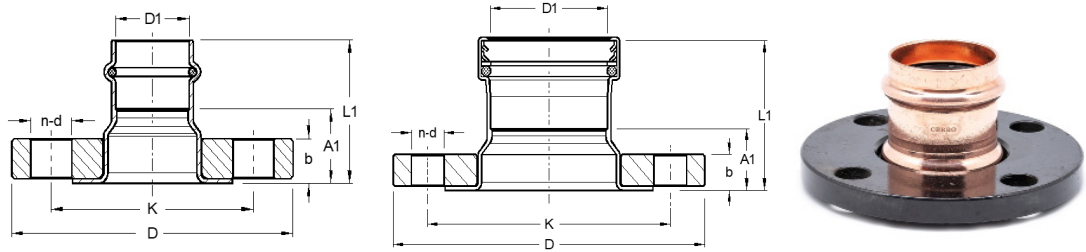
CERROPRESS 326 - 90 Drop Ear Elbow

Part	Size	Type	L1 (in)	A1 (in)	L2 (in)	A2 (in)	L3 (in)	A3 (in)	Weight EACH (LBS)
32602	1/2" x 3/8"	P x FPT	1.772	0.945	1.358	0.591			0.24
32604	1/2"	P x FPT	1.772	0.945	1.496	0.591			0.29
32606	3/4"	P x FPT	2.126	1.181	1.772	0.748			0.43



CERROPRESS 328 - Union Di-electric

Part	Size	Type	L1 (in)	A1 (in)	L2 (in)	A2 (in)	L3 (in)	A3 (in)	Weight EACH (LBS)
32802	1/2"	P x FPT	2.638	1.319					0.82
32804	3/4"	P x FPT	3.071	1.535					1.15
32806	1"	P x FPT	2.756	1.142					1.04
32808	1-1/4"	P x FPT	3.031	1.102					1.54
32810	1-1/2"	P x FPT	3.465	1.220					1.82
32812	2"	P x FPT	3.780	1.220					2.83



CERROPRESS 400 - Flange - PxBP 4

Part	Size	Type	L1 (in)	A1 (in)	b	D	K	d	Weight EACH (LBS)
40002	1"	P - BP 4	2.283	1.339	0.630	4.331	3.110	0.630	2.80
40004	1-1/4"	P - BP 4	2.283	1.142	0.630	4.528	3.504	0.630	3.20
40006	1-1/2"	P - BP 4	2.598	1.142	0.630	4.921	3.858	0.630	3.86
40008	2"	P - BP 4	2.756	1.142	0.630	5.906	4.764	0.748	5.49

CERROPRESS 400 - Flange - PxBP 8 XL

40010	2-1/2"	P - BP 8	2.835	1.102	0.689	7.087	5.512	0.748	6.27
40012	3"	P - BP 8	3.346	1.339	0.807	7.480	5.984	0.748	7.63
40014	4"	P - BP 8	3.740	1.339	0.886	9.055	7.520	0.748	11.87



CERROPRESS®

Fittings Catalog

Cerro Flow Products LLC
PO Box 66800
St. Louis, MO 63166-6800

www.cerro.com

618-337-6000

sales@cerroflow.com

Version CP_260122



A Marmon/Berkshire Hathaway Company