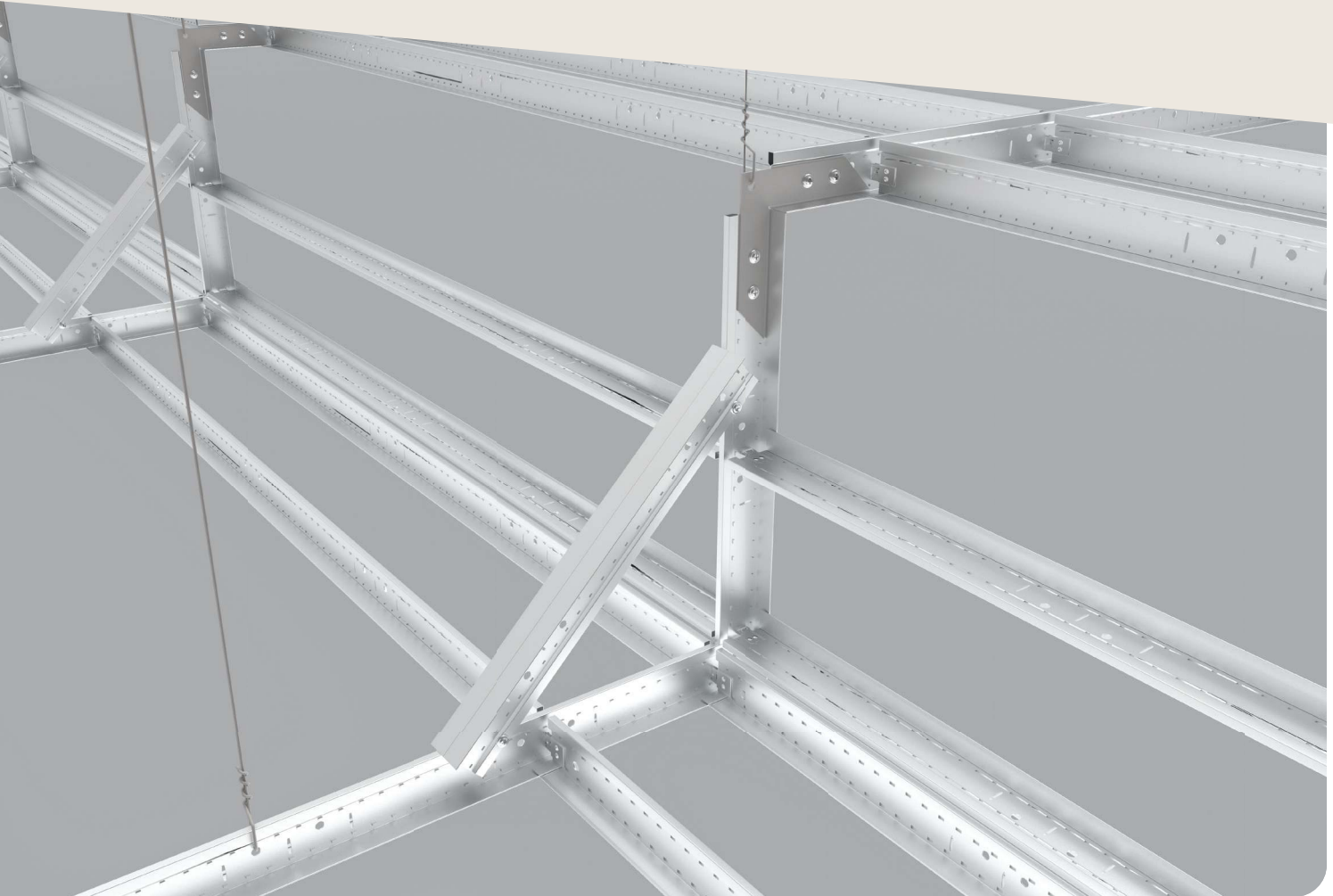


Drywall Soffit Installation Manual



Tools and Materials Required:

- Tape Measure
- Tin Snips
- Hammer
- Square
- Pencil
- Piece of 5/8" Drywall or Plywood with a factory corner
- Screw Gun or Impact Driver
- Framing Screws (self-piercing)
- Dry Line
- Chalk Line
- Laser



Pre-Construction

Coordinate the details with all other trades involved. It is important that the mechanical, electrical, plumbing, and fire suppression trades are all aware of the benefits of this system.

Use the longest Cross Tee appropriate for your specific application. This may change for different details. Make sure the areas around the detail are complete prior to starting. Make sure that the area is clear of debris and tripping hazards.

Concave Installation Instructions – 11 Steps

Step 1:

Chalk a line at the desired elevation as well as the desired vertical face of the detail making sure to allow for the application of drywall. **(See Fig. 1)** Install the 1 ½" drywall angle on all necessary surfaces around the detail. **(See Fig. 2-4).**

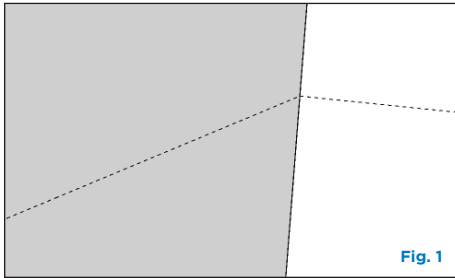


Fig. 1

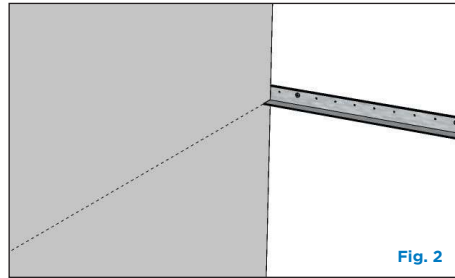


Fig. 2

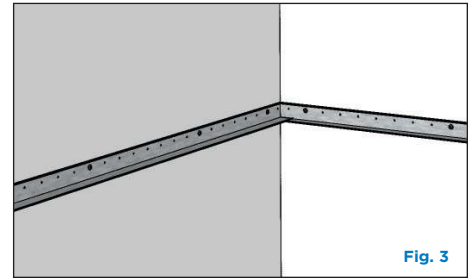


Fig. 3

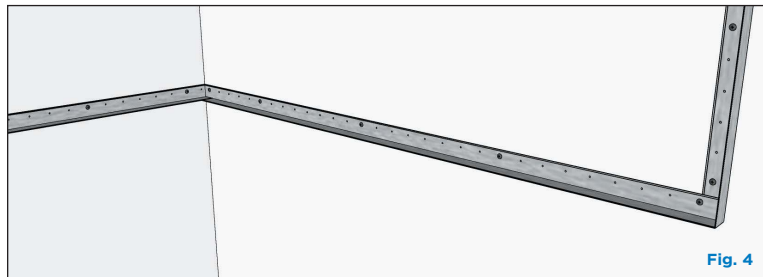


Fig. 4

Step 2:

Measure the horizontal distance back to the wall and the vertical distance up to the deck or ceiling above. Using a Main Runner, pick a center slot of the three slot pattern that will provide enough material to create the L-Shape out of one piece. Cut the middle slot through the bulb and web by making a slight V-shape. **(See Fig. 5 & 6)**

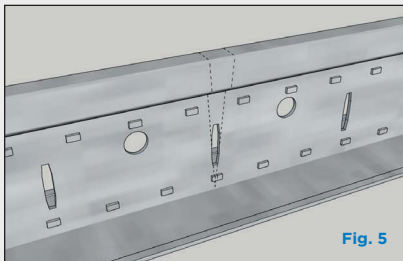


Fig. 5

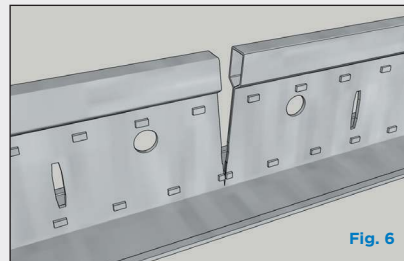


Fig. 6

Bend the Main Runner around the 5/8" drywall factory corner to create a 90° angle. With a hammer, crush the bulbs flat at the intersection. Put one framing screw through the bulbs to connect the L-Shape together. **(See Fig. 7)**

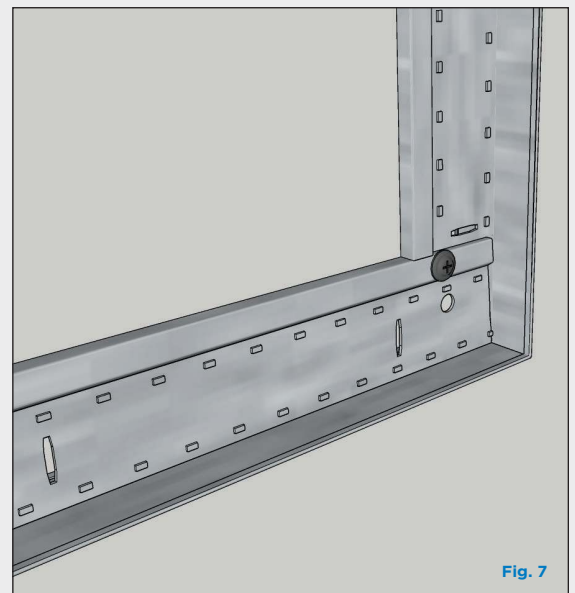


Fig. 7

Installation for Drywall Soffit

Step 3:

Fasten diagonal bracing from the vertical leg to the horizontal leg on every Main Runner to increase installation rigidity. **(See Fig. 8)**

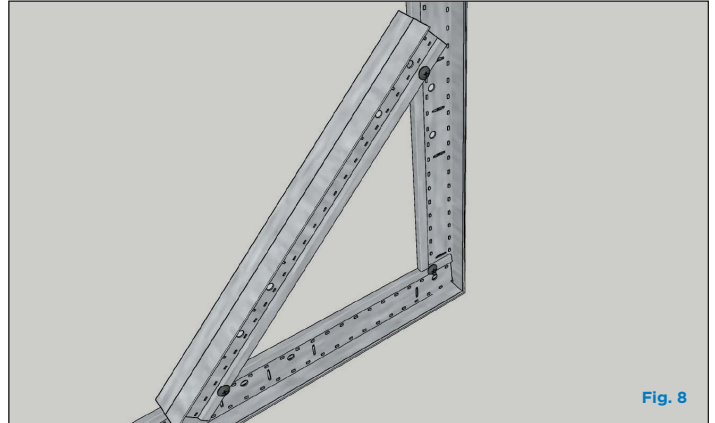


Fig. 8

Step 4:

Set the laser or dry line on the wall angle to provide a vertical location for the L-Shape to be positioned. Clamp the L-Shape at this position. Now take the dry line and position it at the horizontal/vertical transition point. Pull or push the L-Shape to match the dry line. Position hanger wires according to specific installation needs. **(See Fig. 9)**

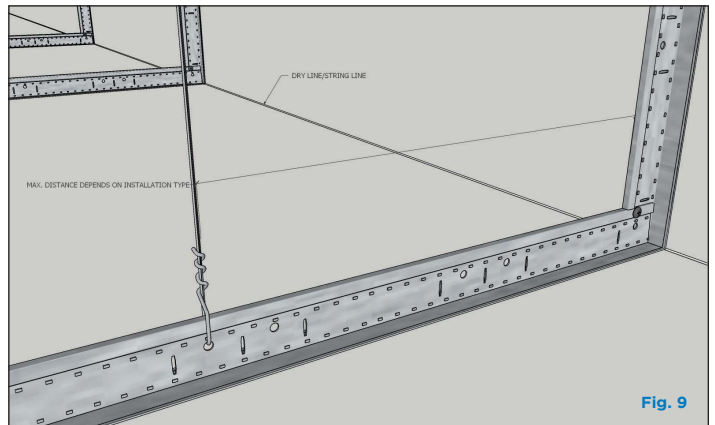


Fig. 9

Step 5:

Install the Cross Tees into the route holes located directly above the 90-degree bend and directly behind the 90-degree bend. This serves as the backing for the drywall on the horizontal and vertical plane. **(See Fig. 10 & 11)**

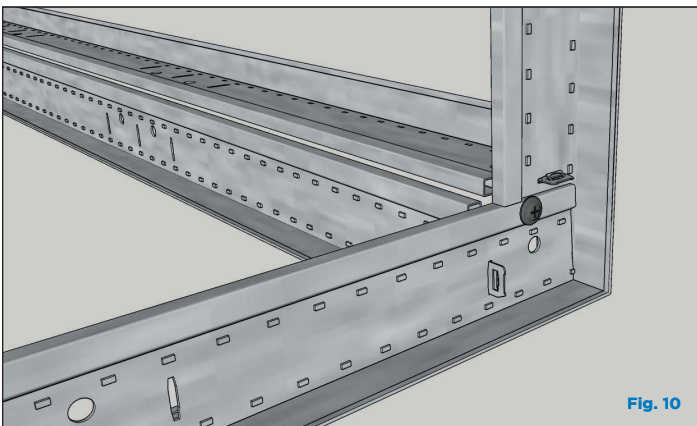


Fig. 10

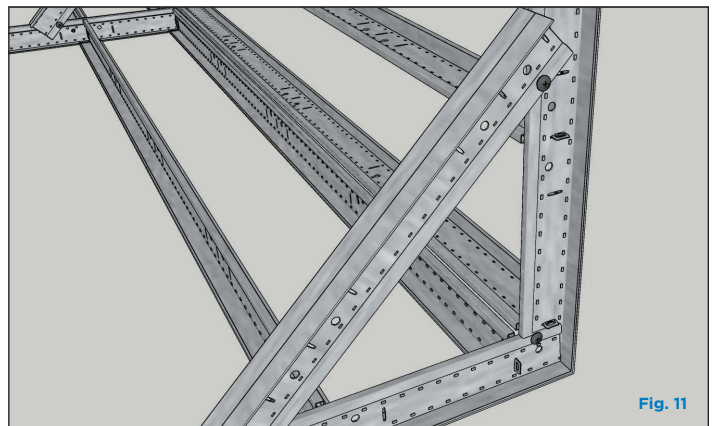
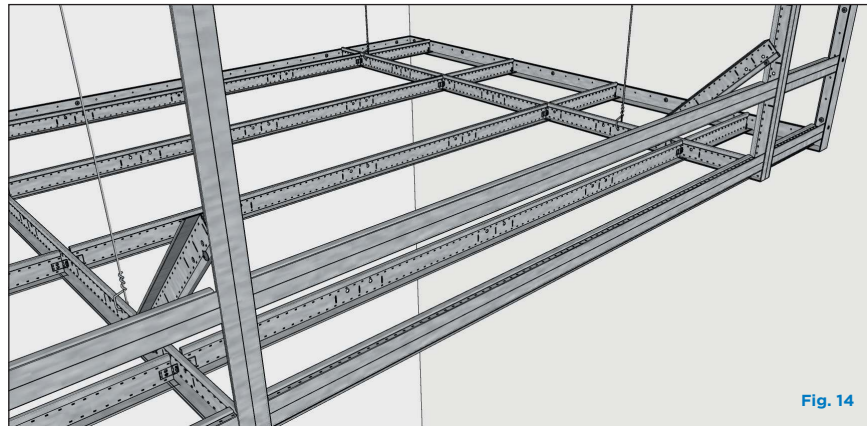
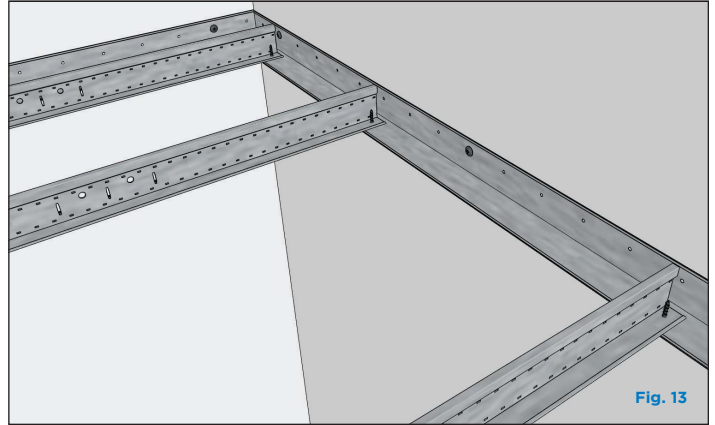
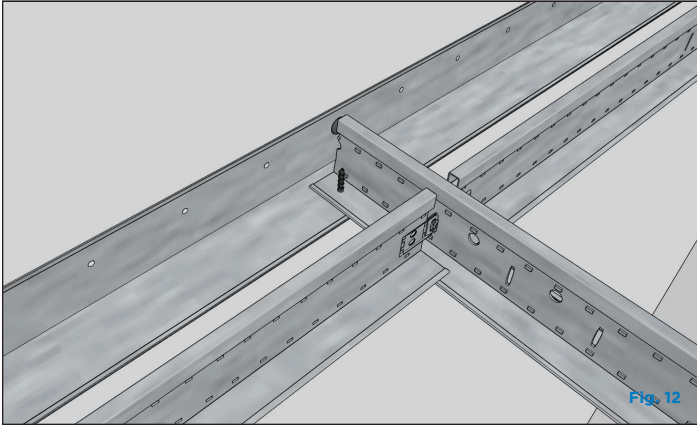


Fig. 11

Installation for Drywall Soffit

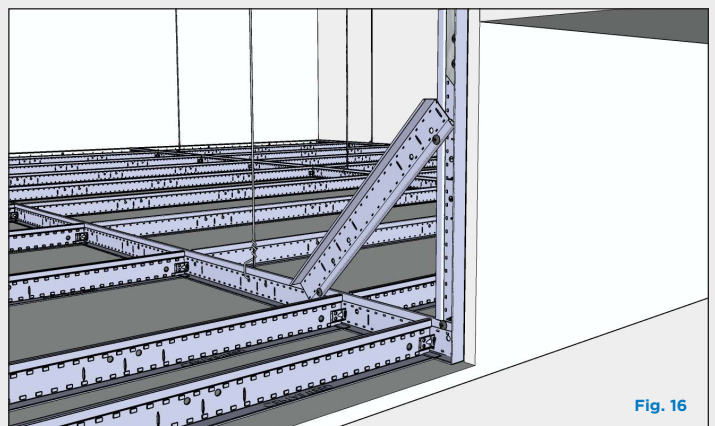
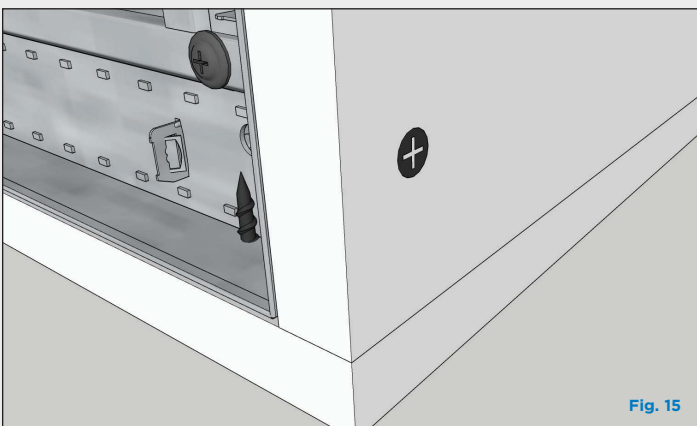
Step 6:

Plumb and straighten the L-Shape and screw it to the wall angle with framing screws. Any cross tees that sit on wall angle should also be screwed into position with framing screws. **(Fig. 12 & 13)**



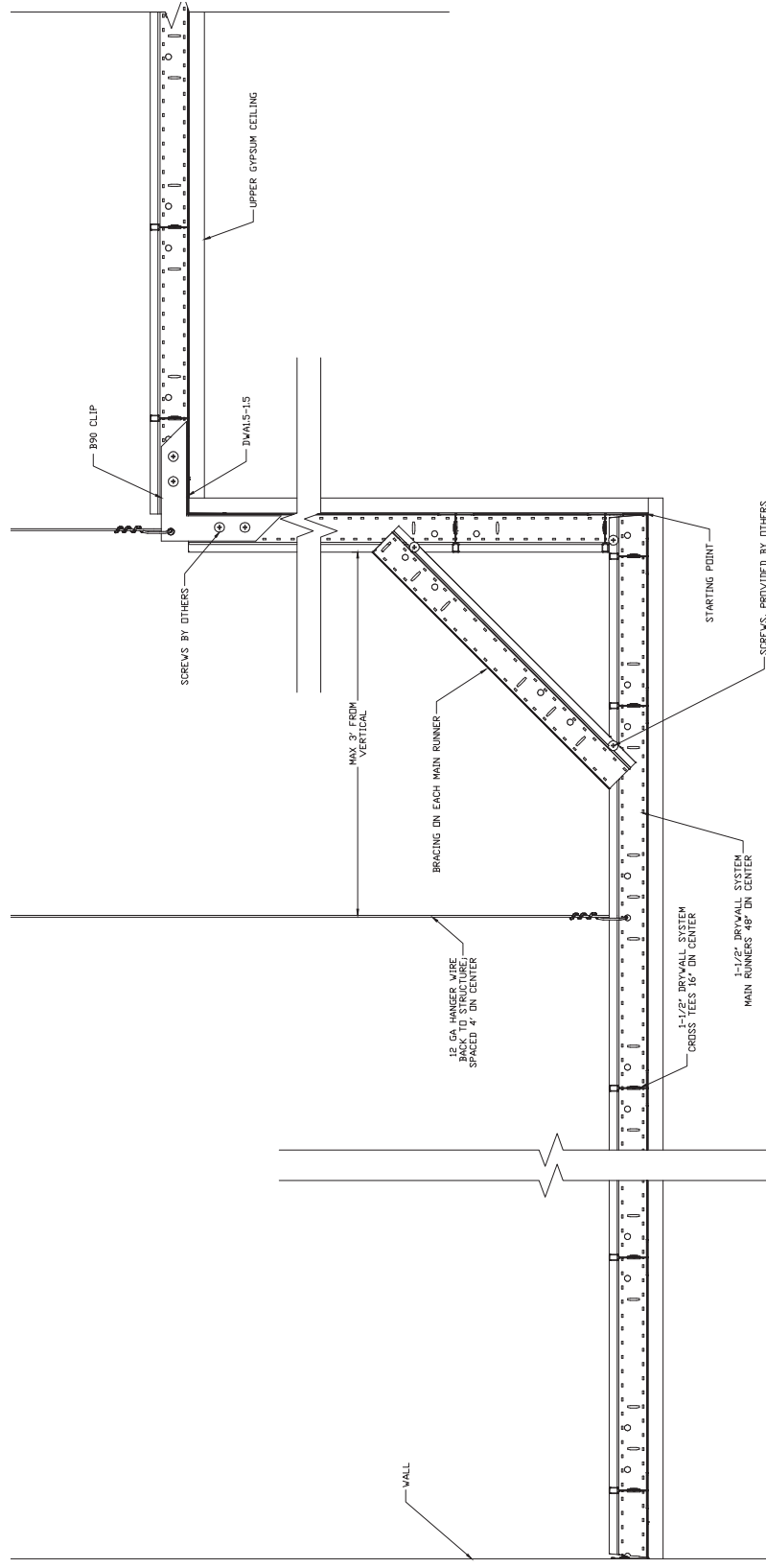
Step 7:

When boarding this detail, it is important to adequately screw the gypsum to the soffit detail. **(See Fig. 15)** Use the L-Shaped Main Runners as the place to take measurements. If you have used a pre-forming machine to create the drywall shape, you will now have a very flat surface to accept the screws tight to the framing members. **(See Fig. 16)**

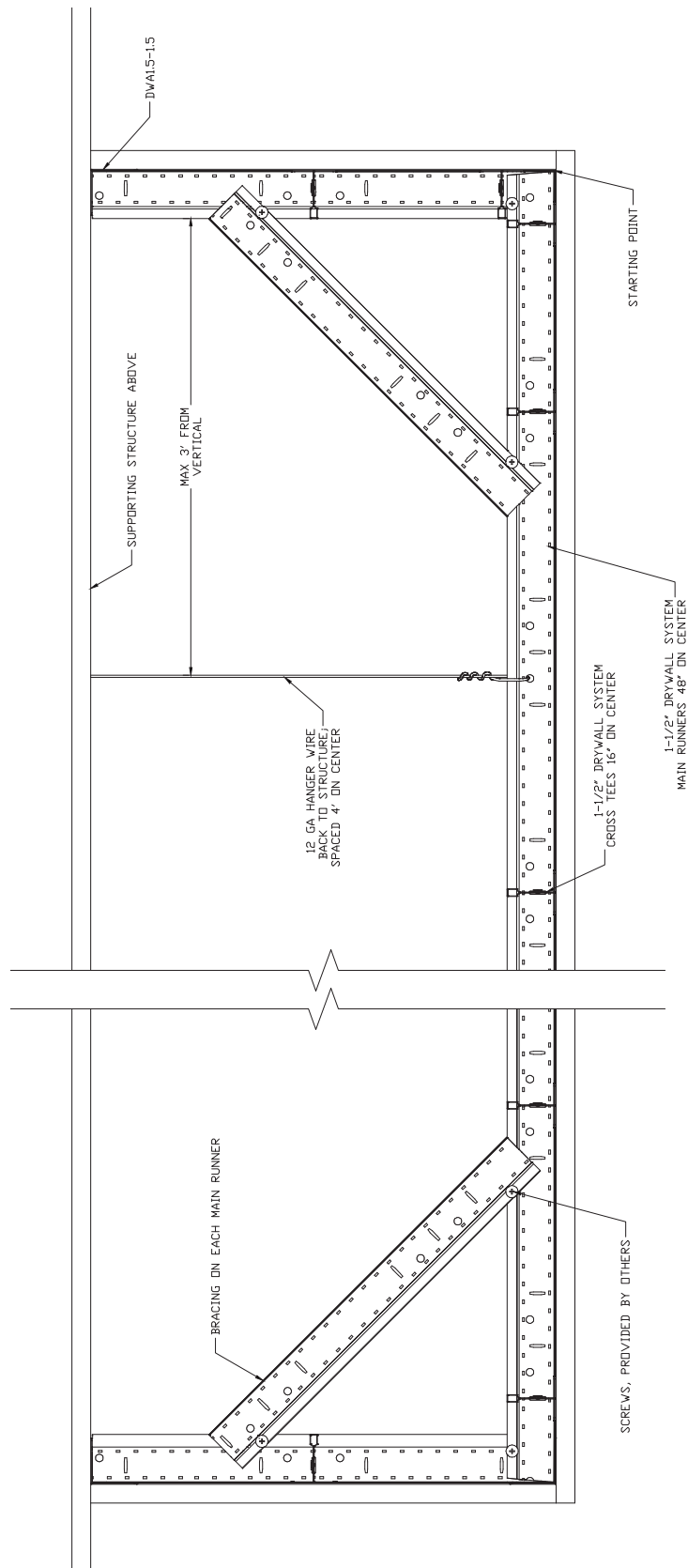


Soffit Details Utilizing The Steps Detailed Above

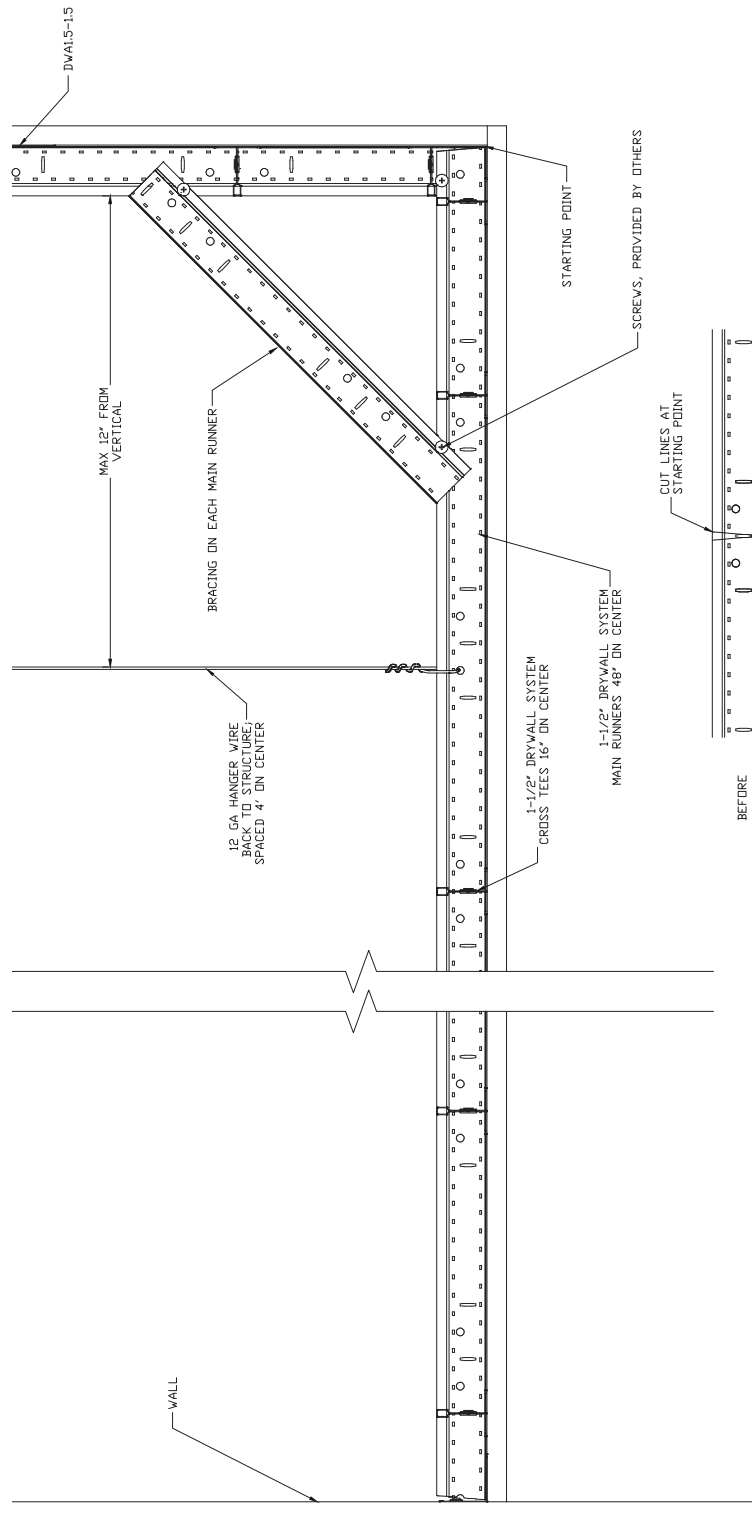
Two-Level Drywall Soffit



Three-Sided Drywall Soffit



Open-Return Drywall Soffit



CertainTeed

CEILINGS • GYPSUM • INSULATION • ROOFING • SIDING • TRIM
20 Moores Road, Malvern, PA 19355 800-233-8990 certainteed.com