

# Drywall Suspension Systems

Technical Guide

**A complete line of essential grid products engineered for strength, efficiency and speed.**

- 1-1/2" Drywall System
- QuickSpan™ Locking Drywall Grid System

## Table of Contents

### Drywall Suspension System

|                                        |    |
|----------------------------------------|----|
| Performance .....                      | 3  |
| Code Compliance .....                  | 3  |
| Components .....                       | 4  |
| Main Runners                           |    |
| Cross Tees                             |    |
| Wall Angle                             |    |
| Installation Accessories .....         | 6  |
| Slot (Rout) Positions .....            | 8  |
| Lighting Integration .....             | 10 |
| Type F vs. Type G Fixtures             |    |
| 48", 50" & 72" On Center Spacing ..... | 11 |
| Fire Resistive Assemblies .....        | 12 |
| Load Data .....                        | 14 |
| Wire Data .....                        | 15 |
| Quantity Estimating Tables .....       | 16 |

### QuickSpan™ Locking Drywall Grid System

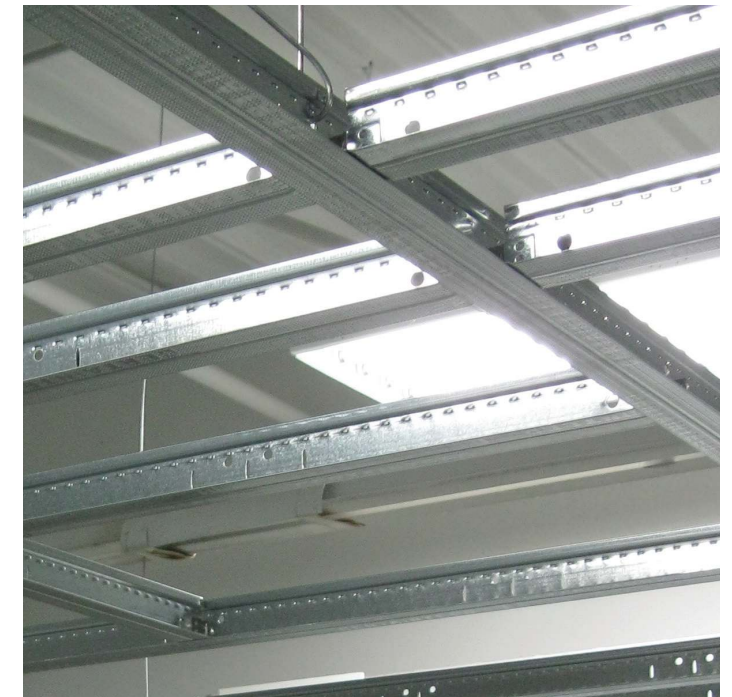
|                                            |    |
|--------------------------------------------|----|
| Performance .....                          | 17 |
| Code Compliance .....                      | 17 |
| Components .....                           | 18 |
| Profile and Spacing .....                  | 19 |
| Load Data .....                            | 20 |
| Installation Method and Instructions ..... | 21 |
| Quantity Estimating Tables .....           | 23 |



# Drywall Suspension Systems

## Performance

- **1-1/2" wide face** on main runners and cross tees
- **Knurled and uncapped face** — allows for easy screw installation and helps to prevent screw spin off
- **Manufactured in accordance with ASTM C635 and in compliance with ASTM C645**
- **Heavy-duty load rating** — Minimum of 16 lbs./LF on main runners
  - Rotary stitched web for increased stability
  - 1.6-inch profile height for increased load capacity
- **Heavy-duty system components with lower insertion effort and audible click**
- **G40 hot dipped galvanized coating** — Corrosion resistance for all main runners, cross tees, and wall angle
- **G90 hot-dipped galvanized coating** — Superior corrosion resistance (severe environment applications) available on all main runners, cross tees and wall angles
- **Fire-rated** — Multiple UL time rated designs available for up to 6' cross tees.
- **Cross tee spacing:**
  - up to 24-inches O.C. max. for 1/2-inch and 5/8-inch drywall
- **Main runner features 54 slots for flexibility to easily integrate Type F / Type G fixtures**

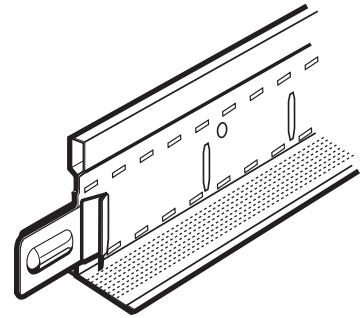


## Code Compliance

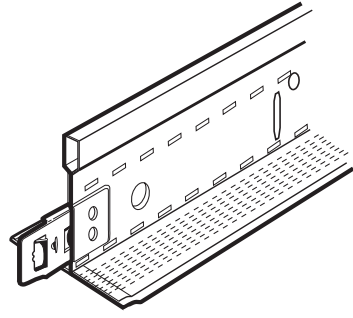
- Meets ASTM C635
- Meets ASTM C645
- Installation per ASTM C636
- Installation per ASTM C754
- ICC Evaluation Service Report (ESR-3336)
- City of Los Angeles Building Code/California Building Code compliant via ESR-3336 LABC Supplement
- Uniform Building Code, Continuous Membrane, One Level. Per Section 25.210 single level drywall ceilings are exempt from lateral force bracing requirements when walls are not over 50 feet apart. When walls are over 50 feet apart, the ceiling should be examined for bracing requirements
- IBC categories D, E, and F drywall ceilings that are on one level and connected on all sides to walls that are braced to the structure above are exempt from lateral force bracing requirements
- Consult local authorities having jurisdiction for local code requirements

Visit [certainteed.com/architectural](https://certainteed.com/architectural) for more on our suspension system accessories, wall angles and shadow molding.

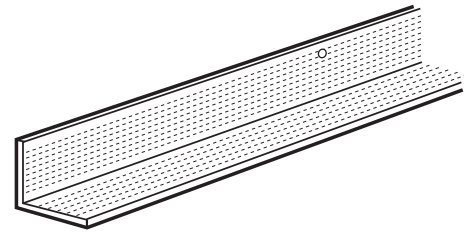
## Components



Main Runner



Cross Tees



Wall Angle

|                     | DESCRIPTION           | DIMENSIONS (IN)    | SLOT SPACING                                                         | ASTM C635 RATING | FIRE RATED | RECYCLED CONTENT TOTAL | RECYCLED CONTENT PRE | RECYCLED CONTENT POST | PIECES PER CARTON |
|---------------------|-----------------------|--------------------|----------------------------------------------------------------------|------------------|------------|------------------------|----------------------|-----------------------|-------------------|
| <b>Main Runners</b> |                       |                    |                                                                      |                  |            |                        |                      |                       |                   |
| DWS12-13-20         | HD FR Main Runner G40 | 144" x 1.6" x 1.5" | 54 slots starting 2.25" from each end; each slot spaced 8" on center | Heavy Duty       | Yes        | 88%                    | 19%                  | 69%                   | 16                |
| DWS12-13-20 G90     | HD FR Main Runner G90 | 144" x 1.6" x 1.5" |                                                                      | Heavy Duty       | Yes        | 88%                    | 19%                  | 69%                   | 16                |

|                   | DESCRIPTION       | DIMENSIONS (IN)   | SLOT SPACING                                | FIRE RATED | RECYCLED CONTENT TOTAL | RECYCLED CONTENT PRE | RECYCLED CONTENT POST | PIECES PER CARTON |
|-------------------|-------------------|-------------------|---------------------------------------------|------------|------------------------|----------------------|-----------------------|-------------------|
| <b>Cross Tees</b> |                   |                   |                                             |            |                        |                      |                       |                   |
| DWS1.16-13-20     | 14" Cross Tee G40 | 14" x 1.6" x 1.5" | No slots                                    | Yes        | 87%                    | 19%                  | 68%                   | 48                |
| DWS2-13-20        | 24" Cross Tee G40 | 24" x 1.6" x 1.5" | 10", 12", 14"                               | Yes        | 87%                    | 19%                  | 68%                   | 48                |
| DWS2.16-13-20     | 26" Cross Tee G40 | 26" x 1.6" x 1.5" | 12", 14"                                    | Yes        | 87%                    | 19%                  | 68%                   | 48                |
| DWS3-13-20        | 36" Cross Tee G40 | 36" x 1.6" x 1.5" | No slots                                    | Yes        | 87%                    | 19%                  | 68%                   | 48                |
| DWS4-13-20        | 48" Cross Tee G40 | 48" x 1.6" x 1.5" | 10", 12", 14", 22", 24", 26", 34", 36", 38" | Yes        | 87%                    | 19%                  | 68%                   | 48                |
| DWS4.16-13-20     | 50" Cross Tee G40 | 50" x 1.6" x 1.5" | 10", 12", 14", 24", 26", 36", 38", 40"      | Yes        | 87%                    | 19%                  | 68%                   | 48                |
| DWS6-13-20        | 72" Cross Tee G40 | 72" x 1.6" x 1.5" | 22", 24", 26", 46", 48", 50"                | Yes        | 87%                    | 19%                  | 68%                   | 36                |

|                   | DESCRIPTION       | DIMENSIONS (IN)   | SLOT SPACING                                | FIRE RATED | RECYCLED CONTENT TOTAL | RECYCLED CONTENT PRE | RECYCLED CONTENT POST | PIECES PER CARTON |
|-------------------|-------------------|-------------------|---------------------------------------------|------------|------------------------|----------------------|-----------------------|-------------------|
| <b>Cross Tees</b> |                   |                   |                                             |            |                        |                      |                       |                   |
| DWS1.16-13-20 G90 | 14" Cross Tee G90 | 14" x 1.6" x 1.5" | No slots                                    | Yes        | 87%                    | 19%                  | 68%                   | 48                |
| DWS2-13-20 G90    | 24" Cross Tee G90 | 24" x 1.6" x 1.5" | 10", 12", 14"                               | Yes        | 87%                    | 19%                  | 68%                   | 48                |
| DWS2.16-13-20 G90 | 26" Cross Tee G90 | 26" x 1.6" x 1.5" | 12", 14"                                    | Yes        | 87%                    | 19%                  | 68%                   | 48                |
| DWS3-13-20 G90    | 36" Cross Tee G90 | 36" x 1.6" x 1.5" | No slots                                    | Yes        | 87%                    | 19%                  | 68%                   | 48                |
| DWS4-13-20 G90    | 48" Cross Tee G90 | 48" x 1.6" x 1.5" | 10", 12", 14", 22", 24", 26", 34", 36", 38" | Yes        | 87%                    | 19%                  | 68%                   | 48                |
| DWS4.16-13-20 G90 | 50" Cross Tee G90 | 50" x 1.6" x 1.5" | 10", 12", 14", 24", 26", 36", 38", 40"      | Yes        | 87%                    | 19%                  | 68%                   | 48                |
| DWS6-13-20 G90    | 72" Cross Tee G90 | 72" x 1.6" x 1.5" | 22", 24", 26", 46", 48", 50"                | Yes        | 87%                    | 19%                  | 68%                   | 36                |

|                   | DESCRIPTION | DIMENSIONS (IN)    | RECYCLED CONTENT TOTAL | RECYCLED CONTENT PRE | RECYCLED CONTENT POST | PIECES PER CARTON |
|-------------------|-------------|--------------------|------------------------|----------------------|-----------------------|-------------------|
| <b>Wall Angle</b> |             |                    |                        |                      |                       |                   |
| DWA1.5-1.5        | 1.5" WA G40 | 144" x 1.5" x 1.5" | 88%                    | 19%                  | 69%                   | 20                |
| DWA1.5-1.5 G90    | 1.5" WA G90 | 144" x 1.5" x 1.5" | 88%                    | 19%                  | 69%                   | 20                |
| DWA2-2            | 2" WA G40   | 144" x 2" x 2"     | 88%                    | 19%                  | 69%                   | 36                |
| DWA2-2 G90        | 2" WA G90   | 144" x 2" x 2"     | 88%                    | 19%                  | 69%                   | 36                |

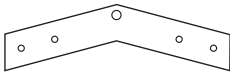
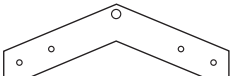
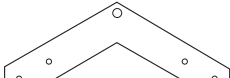
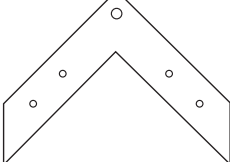
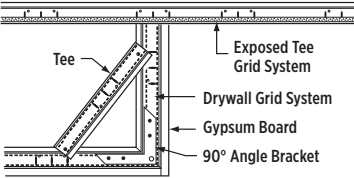
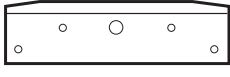
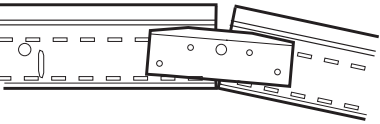
## Components - Metric

|                              | DESCRIPTION       | DIMENSIONS (MM) | SLOT SPACING                     | ASTM C635 RATING | FIRE RATED | RECYCLED CONTENT TOTAL | RECYCLED CONTENT PRE | RECYCLED CONTENT POST | PIECES PER CARTON |
|------------------------------|-------------------|-----------------|----------------------------------|------------------|------------|------------------------|----------------------|-----------------------|-------------------|
| <b>Main Runners - Metric</b> |                   |                 |                                  |                  |            |                        |                      |                       |                   |
| DWS3600MM-13-20 G40          | HD FR Main Runner | 3600 x 41 x 38  | 150, starting 75mm from each end | Heavy Duty       | Yes        | 62%                    | 28%                  | 34%                   | 16                |


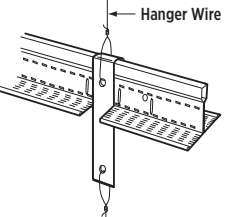

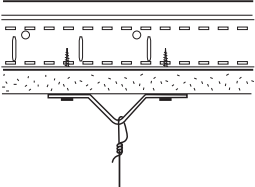
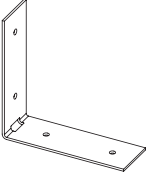
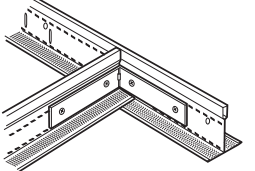
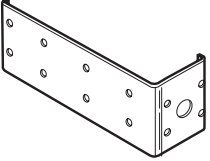
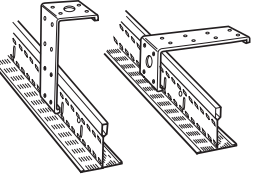
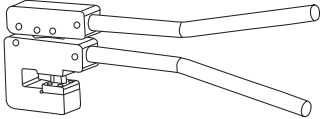
|                            | DESCRIPTION       | DIMENSIONS (MM) | SLOT SPACING                 | FIRE RATED | RECYCLED CONTENT TOTAL | RECYCLED CONTENT PRE | RECYCLED CONTENT POST | PIECES PER CARTON |
|----------------------------|-------------------|-----------------|------------------------------|------------|------------------------|----------------------|-----------------------|-------------------|
| <b>Cross Tees - Metric</b> |                   |                 |                              |            |                        |                      |                       |                   |
| DWS1500MM-13-20 G40        | 1500 mm Cross Tee | 1500 x 41 x 38  | 150, 350, 250, 250, 350, 150 | Yes        | 62%                    | 28%                  | 34%                   | 36                |
| DWS1200MM-13-20 G40        | 1200 mm Cross Tee | 1200 x 41 x 38  | 300                          | Yes        | 62%                    | 28%                  | 34%                   | 48                |
| DWS750MM-13-20 G40         | 750 mm Cross Tee  | 750 x 41 x 38   | No slots                     | Yes        | 62%                    | 28%                  | 34%                   | 48                |
| DWS900MM-13-20 G40         | 900 mm Cross Tee  | 900 x 41 x 38   | No slots                     | Yes        | 62%                    | 28%                  | 34%                   | 48                |
| DWS600MM-13-20 G40         | 600 mm Cross Tee  | 600 x 41 x 38   | No slots                     | Yes        | 62%                    | 28%                  | 34%                   | 48                |

|                            | DESCRIPTION      | DIMENSIONS (MM) | RECYCLED CONTENT TOTAL | RECYCLED CONTENT PRE | RECYCLED CONTENT POST | PIECES PER CARTON |
|----------------------------|------------------|-----------------|------------------------|----------------------|-----------------------|-------------------|
| <b>Wall Angle - Metric</b> |                  |                 |                        |                      |                       |                   |
| DWA1.5-1.5                 | 38 mm Wall Angle | 3658 x 38 x 38  | 88%                    | 19%                  | 69%                   | 20                |
| DWA2-2                     | 51 mm Wall Angle | 3658 x 51 x 51  | 88%                    | 19%                  | 69%                   | 20                |

## Drywall Installation Accessories

| ITEM NUMBER                                                                         | DESCRIPTION                                                                                                                                                                          | PIECES PER CARTON | APPLICATION                                                                                                                                                                        |
|-------------------------------------------------------------------------------------|--------------------------------------------------------------------------------------------------------------------------------------------------------------------------------------|-------------------|------------------------------------------------------------------------------------------------------------------------------------------------------------------------------------|
|    | <b>B30</b><br><b>30-DEGREE ANGLE BRACKET</b>                                                                                                                                         | 250               |                                                                                                                                                                                    |
|    | <b>B45</b><br><b>45-DEGREE ANGLE BRACKET</b>                                                                                                                                         | 250               |                                                                                                                                                                                    |
|    | <b>B60</b><br><b>60-DEGREE ANGLE BRACKET</b>                                                                                                                                         | 250               |                                                                                                                                                                                    |
|   | <b>B90</b><br><b>90-DEGREE ANGLE BRACKET</b><br>The 90, 60, 45 and 30-degree Angle Brackets are used to create angled walls and ceilings. Features holes for screws and hanger wire. | 250               | <br>Labels: Tee, Exposed Tee Grid System, Drywall Grid System, Gypsum Board, 90° Angle Bracket |
|  | <b>DWSC</b><br><b>SPLICE CLIP</b><br>The Splice Clip is used to connect cut ends of grid components. It can also be used to create a radius.                                         | 200               |                                                                                               |

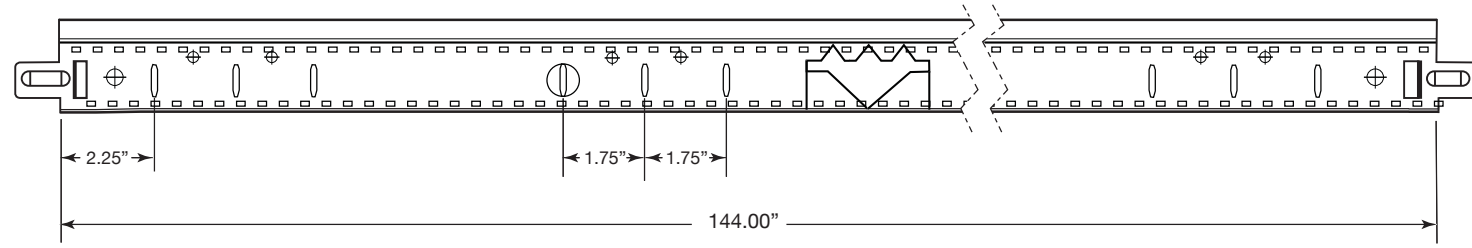
## Installation Accessories

| ITEM NUMBER                                                                           | DESCRIPTION                                                                                                                                                                                                            | PIECES PER CARTON | APPLICATION                                                                                               |
|---------------------------------------------------------------------------------------|------------------------------------------------------------------------------------------------------------------------------------------------------------------------------------------------------------------------|-------------------|-----------------------------------------------------------------------------------------------------------|
|    | <b>2LC</b><br><b>2-LAYER DRYWALL CLIP*</b><br>The 2-Layer Drywall Clip is used to suspend a grid system below an existing ceiling. It is designed to transfer the load from the grid directly to the clip.             | 150               | <br>Label: Hanger Wire |
|    | <b>DFC</b><br><b>DRYWALL FASTENER CLIP*</b><br>The Drywall Fastener Clip is screw-attached through an existing drywall ceiling to the framing member in order to suspend a second ceiling below.                       | 150               |                        |
|    | <b>LBRC</b><br><b>L-BRACKET*</b><br>The L-Bracket is used to screw-attach cut cross tees to main runners.                                                                                                              | 200               |                        |
|   | <b>DFB</b><br><b>DIRECT FIXING BRACKET*</b><br>The Direct Fixing Bracket is used to attach the main runners to the structure in application with shallow plenums.                                                      | 75                |                       |
|  | <b>SLOTTER1</b><br><b>SLOT PUNCH (ROUT PUNCH)</b><br>The Slot Punch is used to add a rout hole wherever one is needed on a main runner or cross tee. Compatible with Classic Stab, Elite Narrow Stab and Drywall Grid. | 1                 |                                                                                                           |

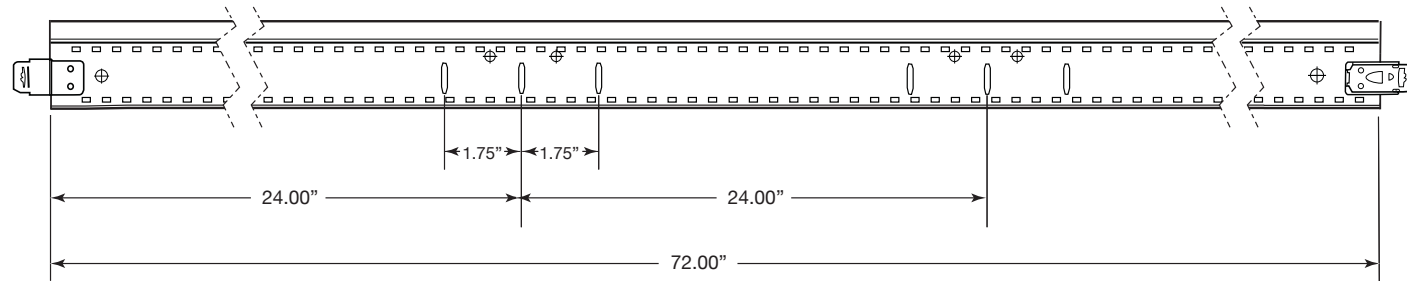
\*Contact CertainTeed Technical Services for accessory performance data

## Slot Positions

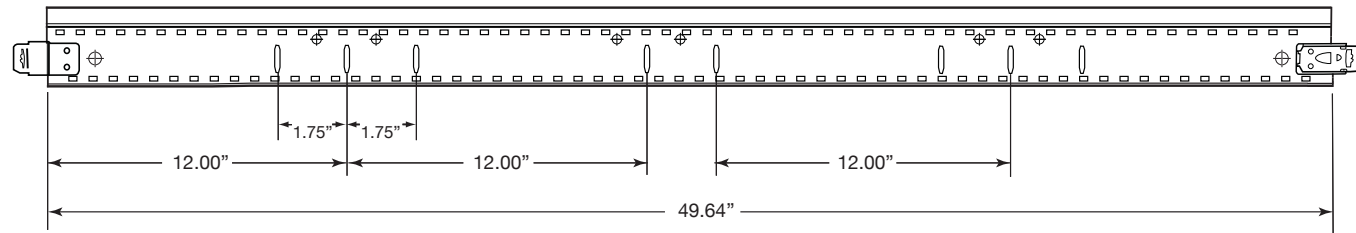
Main Runner DWS12-13-20 / DWS12-13-20 G90



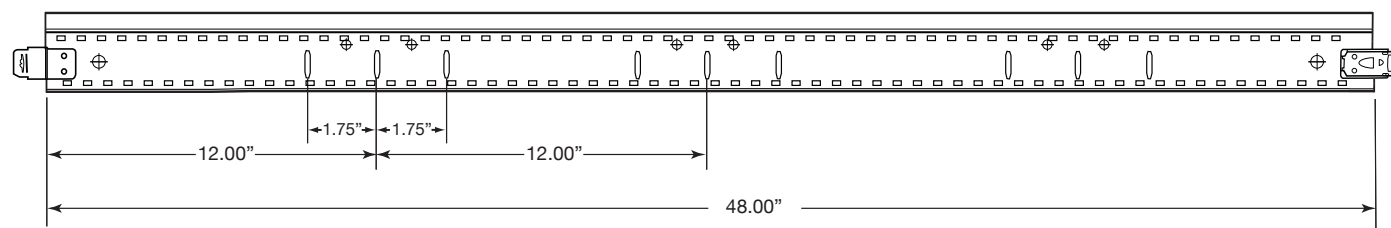
72" Cross Tee DWS6-13-20 / DWS6-13-20 G90



50" Cross Tee DWS4.16-13-20

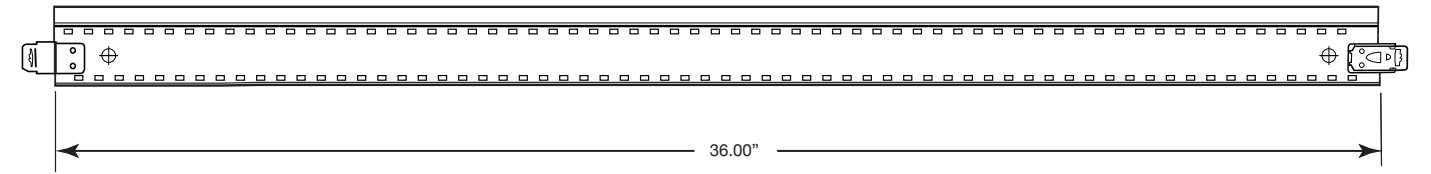


48" Cross Tee DWS4-13-20

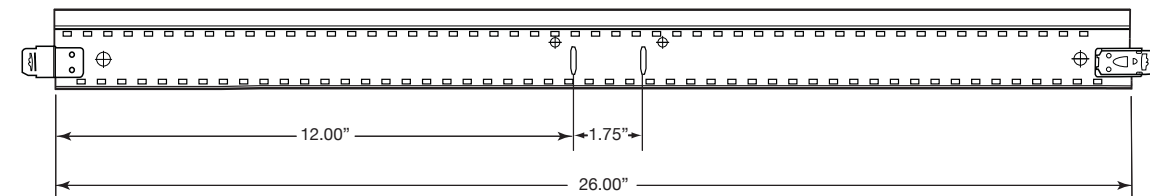


## Slot Positions

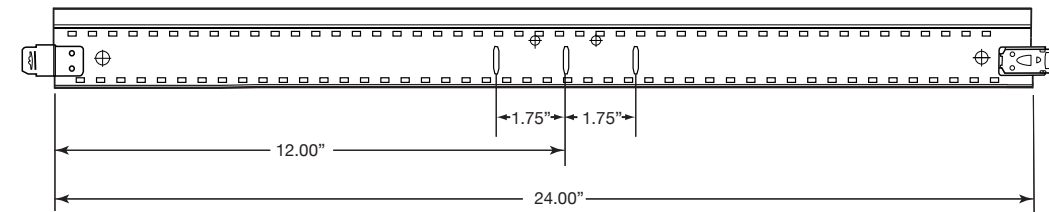
36" Cross Tee DWS3-13-20 / DWS3-13-20 G90



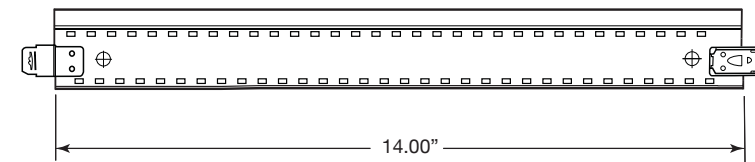
26" Cross Tee DWS2.16-13-20



24" Cross Tee DWS2-13-20

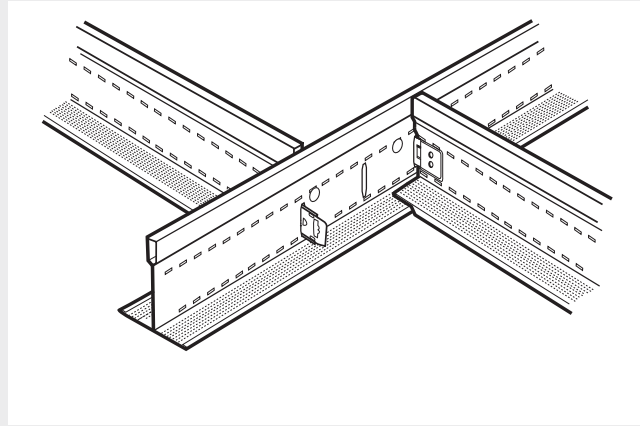


14" Cross Tee DWS1.16-13-20



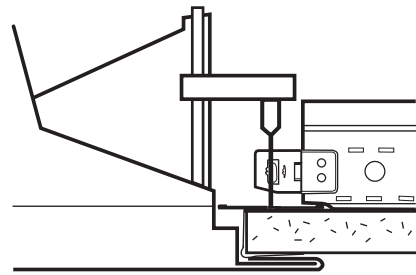
## Lighting Integration – Offset Slots

CertainTeed Drywall Suspension System main runners provide slots 8" on center. Each slot has two additional offset slots — each is 1-3/4" from the center slot. These additional offset slots allow for integration with Type F fixtures. Use the center slot for typical cross tee installation.



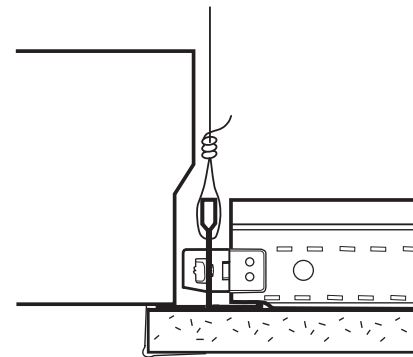
## Type F vs. Type G Fixtures

### Type F Fixtures



1. Install from below the grid
2. Fixture has integral flange (or separate flange kit) to finish the drywall board
3. Fixture rests on bulb of grid and/or is suspended from flange kit
4. Fixture is level with drywall
5. Requires actual 48-inch opening

### Type G Fixtures

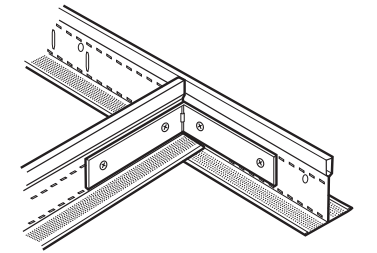


1. Install from above the grid
2. Fixture trim is required for finishing drywall
3. Fixture rests on flange of grid
4. Fixture is recessed the thickness of the drywall
5. Requires nominal 48-inch opening

## 48", 50", 72" On Center Spacing

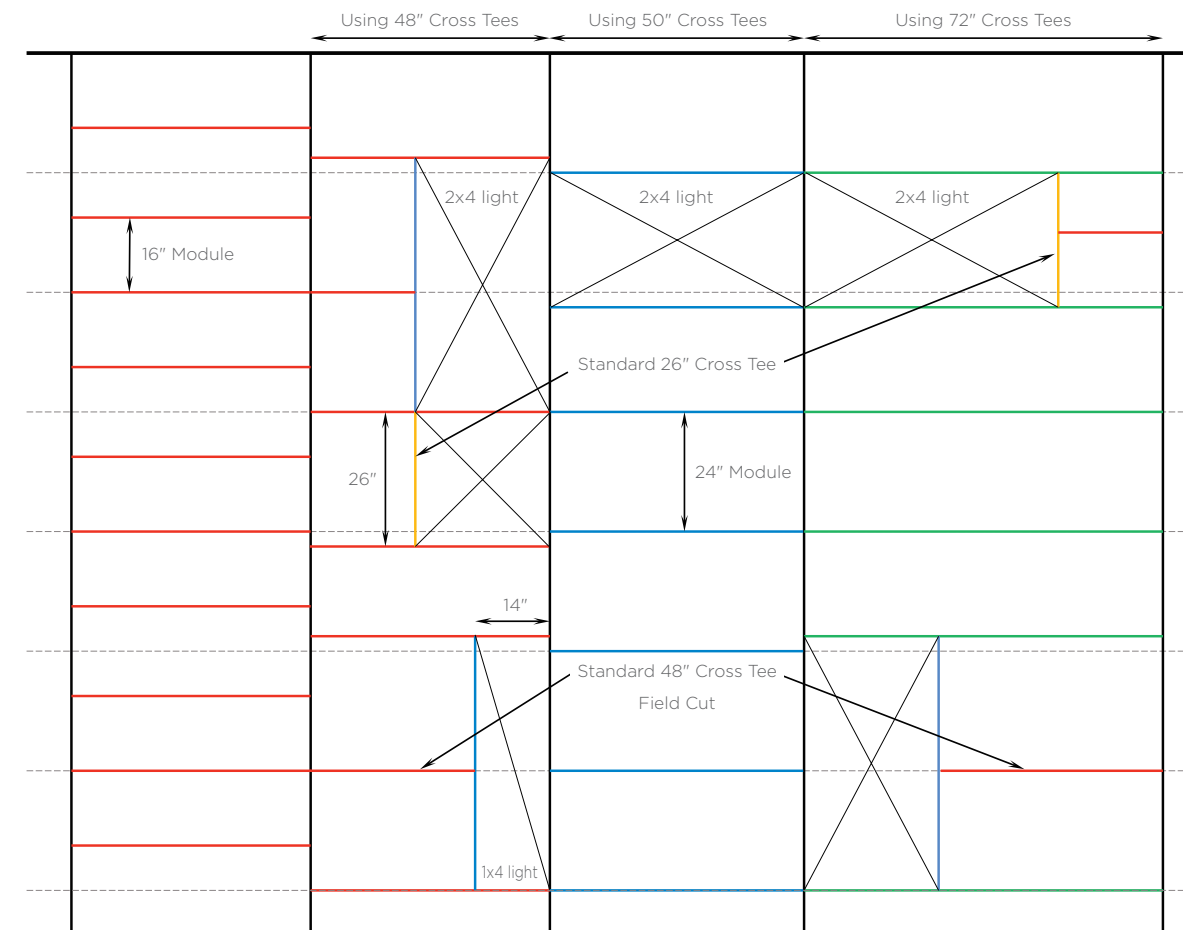
Type F fixtures, air diffusers and access hatches require actual 12", 24", and 48" openings in the suspension system. Type F fixtures can be installed both parallel and perpendicular to the main runners using 48", 50" or 72" cross tees. The additional slots in the main runners and cross tees allow for integration with type F fixtures, while the availability of seven cross tees allows for framing without cutting and field modifications.

There are a multitude of fixture placement options when installing Type F fixtures 72" on center and perpendicular to the main runners. Cut the clips off the 26" cross tee and use the CertainTeed L-bracket (LBRC) to fasten the tee in place. Type G fixtures can also be installed by cutting cross tee clips and using the LBRC to create the module size required instead of 15/16" wide face tees.



The combination of CertainTeed offset main runner slots and availability of 48", 50", and 72" cross tees allows for type F fixture installations on 48", 50", and 72" centers.

## Standard Cross Tee Installation Options



### Color Key:

- Red ..... 48" Cross Tees DWS4-13-20
- Blue ..... 50" Cross Tees DWS4.16-13-20
- Yellow..... 26" Cross Tees DWS2.16-13-20
- Green..... 72" Cross Tees DWS6-13-20

## UL Fire Resistive Assemblies (Drywall Suspension Systems Only)

Fire Ratings specified in this section pertain to UL Classifications which are based on standard test methods ANSI/UL263, ASTM E119, UBC 7-1, NFPA 251, CAN/ULC - S101M

### Floor / Ceiling Drywall Assemblies

| TYPE OF CONSTRUCTION                                          | MAXIMUM TIME RATING (HRS) | UL DESIGN NUMBER | CONCRETE THICKNESS | NUMBER OF DRYWALL LAYERS | MINIMUM DRYWALL THICKNESS | MAXIMUM FIXTURE PENETRATION (FT <sup>2</sup> / 100 FT <sup>2</sup> ) | MAXIMUM DUCT PENETRATION (IN <sup>2</sup> / 100 FT <sup>2</sup> ) | DRYWALL GRID SYSTEM                 |
|---------------------------------------------------------------|---------------------------|------------------|--------------------|--------------------------|---------------------------|----------------------------------------------------------------------|-------------------------------------------------------------------|-------------------------------------|
| <b>Floor / Ceiling Drywall Assemblies</b>                     |                           |                  |                    |                          |                           |                                                                      |                                                                   |                                     |
| Concrete on metal lath or corrugated steel deck, steel joists | 2                         | D501             | 2-1/2"             | 1                        | 1/2"                      | N/A                                                                  | N/A                                                               | CertainTeed DWS <sup>1</sup>        |
| Concrete on metal lath or corrugated steel deck, steel joists | 2                         | D502             | 2-1/2"             | 1                        | 1/2"                      | 24                                                                   | 144                                                               | CertainTeed DWS <sup>1</sup>        |
| Concrete on metal lath or corrugated steel deck, steel joists | 2                         | D503             | 2-1/2"             | 1                        | 1/2"                      | One 6" diameter fixture per 25 ft <sup>2</sup>                       | N/A                                                               | CertainTeed DWS <sup>1</sup>        |
| Concrete on metal lath or corrugated steel deck, steel joists | 2                         | G041             | 2-1/2"             | 1                        | 1/2"                      | 15.3                                                                 | 54                                                                | CertainTeed DWS <sup>1</sup>        |
| Concrete on metal lath or corrugated steel deck, steel joists | 1                         | G041             | 2-1/2"             | 1                        | 1/2"                      | 15.3                                                                 | 54                                                                | CertainTeed DWS (max 72" cross tee) |
| Concrete on metal lath or corrugated steel deck, steel joists | 2                         | G523             | 2-1/2"             | 1                        | 1/2"                      | 24                                                                   | 144                                                               | CertainTeed DWS <sup>1</sup>        |
| Concrete on metal lath or corrugated steel deck, steel joists | 2                         | G524             | 2-1/2"             | 1                        | 1/2"                      | One fixture per 100 ft <sup>2</sup>                                  | 144                                                               | CertainTeed DWS <sup>1</sup>        |
| Concrete on metal lath or corrugated steel deck, steel joists | 2                         | G526             | 2-1/2"             | 1                        | 1/2"                      | 24                                                                   | 56.5                                                              | CertainTeed DWS <sup>1</sup>        |
| Concrete on metal lath or corrugated steel deck, steel joists | 2                         | G527             | 2-1/2"             | 1                        | 1/2"                      | N/A                                                                  | N/A                                                               | CertainTeed DWS <sup>1</sup>        |
| Concrete on metal lath or corrugated steel deck, steel joists | 1-1/2                     | G528             | 2-1/2"             | 1                        | 1/2"                      | N/A                                                                  | N/A                                                               | CertainTeed DWS <sup>1</sup>        |
| Concrete on metal lath or corrugated steel deck, steel joists | 2                         | G529             | 2-1/2"             | 1                        | 1/2"                      | 24                                                                   | 57                                                                | CertainTeed DWS <sup>1</sup>        |
| Concrete on metal lath or corrugated steel deck, steel joists | 2                         | G553             | 2-1/2"             | 1                        | 1/2"                      | N/A                                                                  | N/A                                                               | CertainTeed DWS <sup>1</sup>        |
| Wood Deck                                                     | 1                         | L502             | —                  | 1                        | 1/2"                      | N/A                                                                  | 99                                                                | CertainTeed DWS <sup>1</sup>        |
| Wood Deck                                                     | 1                         | L508             | —                  | 1                        | 1/2"                      | N/A                                                                  | 99                                                                | CertainTeed DWS <sup>1</sup>        |
| Wood Deck                                                     | 1                         | L513             | —                  | 1                        | 1/2"                      | N/A                                                                  | 99                                                                | CertainTeed DWS <sup>1</sup>        |
| Wood Deck                                                     | 1                         | L515             | —                  | 1                        | 1/2"                      | N/A                                                                  | 99                                                                | CertainTeed DWS <sup>1</sup>        |
| Wood Deck                                                     | 1                         | L525             | —                  | 1                        | 1/2"                      | 24                                                                   | 113                                                               | CertainTeed DWS <sup>1</sup>        |
| Wood Deck                                                     | 1                         | L526             | —                  | 1                        | 1/2"                      | 24                                                                   | 100                                                               | CertainTeed DWS <sup>1</sup>        |
| Wood Deck                                                     | 1                         | L529             | —                  | 1                        | 1/2"                      | 24                                                                   | 113                                                               | CertainTeed DWS <sup>1</sup>        |
| Horizontal Membrane                                           | 2                         | I512             | —                  | 4                        | 5/8"                      | —                                                                    | —                                                                 | CertainTeed DWS                     |
| Horizontal Membrane                                           | 1                         | I519             | —                  | 3                        | 5/8"                      | —                                                                    | —                                                                 | CertainTeed DWS                     |

1. Maximum 50" cross tee

### Roof / Ceiling Drywall Assemblies

| TYPE OF CONSTRUCTION                                      | MAXIMUM TIME RATING (HRS) | UL DESIGN NUMBER | CONCRETE THICKNESS | NUMBER OF DRYWALL LAYERS | MINIMUM DRYWALL THICKNESS | MAXIMUM FIXTURE PENETRATION (FT <sup>2</sup> / 100 FT <sup>2</sup> ) | MAXIMUM DUCT PENETRATION (IN <sup>2</sup> / 100 FT <sup>2</sup> ) | DRYWALL GRID SYSTEM          |
|-----------------------------------------------------------|---------------------------|------------------|--------------------|--------------------------|---------------------------|----------------------------------------------------------------------|-------------------------------------------------------------------|------------------------------|
| <b>Roof / Ceiling Drywall Assemblies</b>                  |                           |                  |                    |                          |                           |                                                                      |                                                                   |                              |
| BUR, modified or single-ply over steel deck, steel joists | 1-1/2                     | P506             | —                  | 1                        | 5/8"                      | 24                                                                   | 113                                                               | CertainTeed DWS <sup>1</sup> |
| BUR, modified or single-ply over steel deck, steel joists | 1                         | P508             | —                  | 1                        | 5/8"                      | 24                                                                   | 144                                                               | CertainTeed DWS <sup>1</sup> |
| BUR, modified or single-ply over steel deck, steel joists | 1                         | P509             | —                  | 1                        | 5/8"                      | 24                                                                   | 144                                                               | CertainTeed DWS <sup>1</sup> |
| BUR, modified or single-ply over steel deck, steel joists | 1-1/2                     | P510             | —                  | 1                        | 5/8"                      | 24                                                                   | 144                                                               | CertainTeed DWS <sup>1</sup> |
| BUR, modified or single-ply over steel deck, steel joists | 1-1/2                     | P513             | —                  | 1                        | 5/8"                      | 24                                                                   | 144                                                               | CertainTeed DWS <sup>1</sup> |
| BUR, modified or single-ply over steel deck, steel joists | 2                         | P514             | —                  | 1                        | 5/8"                      | 24                                                                   | 225                                                               | CertainTeed DWS <sup>1</sup> |
| BUR, modified or single-ply over steel deck, steel joists | 2                         | P560             | —                  | 1                        | 5/8"                      | 15.3                                                                 | 54                                                                | CertainTeed DWS <sup>1</sup> |

The information contained in this table is intended only to be used as a guide. For detailed time-rated assembly information, refer to the latest Underwriters Laboratories Inc. Fire Resistance Directory (ul.com).

1. Maximum 50" cross tee

## ULc Fire Resistive Assemblies (Drywall Suspension Systems Only)

### Floor / Ceiling Drywall Assemblies

| TYPE OF CONSTRUCTION                                          | MAXIMUM TIME RATING (HRS) | ULC DESIGN NUMBER | CONCRETE THICKNESS | NUMBER OF DRYWALL LAYERS | MINIMUM DRYWALL THICKNESS | MAXIMUM FIXTURE PENETRATION (FT <sup>2</sup> / 100 FT <sup>2</sup> ) | MAXIMUM DUCT PENETRATION (IN <sup>2</sup> / 100 FT <sup>2</sup> ) | DRYWALL GRID SYSTEM                  |
|---------------------------------------------------------------|---------------------------|-------------------|--------------------|--------------------------|---------------------------|----------------------------------------------------------------------|-------------------------------------------------------------------|--------------------------------------|
| <b>Floor / Ceiling Drywall Assemblies</b>                     |                           |                   |                    |                          |                           |                                                                      |                                                                   |                                      |
| Concrete on metal lath or corrugated steel deck, steel joists | 2                         | G021              | 2.5"               | 1                        | 1/2"                      | 15.3                                                                 | 54                                                                | CertainTeed DWS (max. 50" cross tee) |
| Concrete on metal lath or corrugated steel deck, steel joists | 1                         | G021              | 2.5"               | 1                        | 1/2"                      | 15.3                                                                 | 54                                                                | CertainTeed DWS (max. 72" cross tee) |

### Roof / Ceiling Drywall Assemblies

| TYPE OF CONSTRUCTION                                      | MAXIMUM TIME RATING (HRS) | ULC DESIGN NUMBER | CONCRETE THICKNESS | NUMBER OF DRYWALL LAYERS | MINIMUM DRYWALL THICKNESS | MAXIMUM FIXTURE PENETRATION (FT <sup>2</sup> / 100 FT <sup>2</sup> ) | MAXIMUM DUCT PENETRATION (IN <sup>2</sup> / 100 FT <sup>2</sup> ) | DRYWALL GRID SYSTEM                  |
|-----------------------------------------------------------|---------------------------|-------------------|--------------------|--------------------------|---------------------------|----------------------------------------------------------------------|-------------------------------------------------------------------|--------------------------------------|
| <b>Roof / Ceiling Drywall Assemblies</b>                  |                           |                   |                    |                          |                           |                                                                      |                                                                   |                                      |
| BUR, modified or single-ply over steel deck, steel joists | 2                         | R503              | —                  | 1                        | 5/8"                      | 15.3                                                                 | 54                                                                | CertainTeed DWS (max. 50" cross tee) |

## System Load Value

| Ceiling Load Limits (PSF) For Different Configurations of Drywall Systems at L/360 with Cross Tees at 24 Inches on Center |    |                                                     |      |      |
|---------------------------------------------------------------------------------------------------------------------------|----|-----------------------------------------------------|------|------|
|                                                                                                                           |    | Hanger Spacing on Main Runner (inches) <sup>1</sup> |      |      |
|                                                                                                                           |    | 48                                                  | 32   | 16   |
| Main Runner Spacing (inches on center)                                                                                    | 72 | 2.9                                                 | 2.9  | 2.9  |
|                                                                                                                           | 50 | 4.5                                                 | 8.3  | 8.3  |
|                                                                                                                           | 48 | 4.7                                                 | 9.2  | 9.2  |
|                                                                                                                           | 36 | 6.2                                                 | 10.0 | 10.0 |
|                                                                                                                           | 24 | 9.3                                                 | 10.0 | 10.0 |

For SI: 1 inch = 25.4 mm; 1 psf = 574.6 Pa. <sup>1</sup> Hanger wires must comply with Section 3.3.2 of ICC ES ESR-3336.

| Ceiling Load Limits (PSF) For Different Configurations of Drywall Systems at L/360 with Cross Tees at 16 Inches on Center |    |                                                     |      |      |
|---------------------------------------------------------------------------------------------------------------------------|----|-----------------------------------------------------|------|------|
|                                                                                                                           |    | Hanger Spacing on Main Runner (inches) <sup>1</sup> |      |      |
|                                                                                                                           |    | 48                                                  | 32   | 16   |
| Main Runner Spacing (inches on center)                                                                                    | 72 | 3.1                                                 | 4.4  | 4.4  |
|                                                                                                                           | 50 | 4.5                                                 | 10.0 | 10.0 |
|                                                                                                                           | 48 | 4.7                                                 | 10.0 | 10.0 |
|                                                                                                                           | 36 | 6.2                                                 | 10.0 | 10.0 |
|                                                                                                                           | 24 | 9.3                                                 | 10.0 | 10.0 |

For SI: 1 inch = 25.4 mm; 1 psf = 574.6 Pa. <sup>1</sup> Hanger wires must comply with Section 3.3.2 of ICC ES ESR-3336.

| Ceiling Load Limits (PSF) For Different Configurations of Drywall Systems at L/240 with Cross Tees at 24 Inches on Center |    |                                                     |      |      |
|---------------------------------------------------------------------------------------------------------------------------|----|-----------------------------------------------------|------|------|
|                                                                                                                           |    | Hanger Spacing on Main Runner (inches) <sup>1</sup> |      |      |
|                                                                                                                           |    | 48                                                  | 32   | 16   |
| Main Runner Spacing (inches on center)                                                                                    | 72 | 3.8                                                 | 4.4  | 4.4  |
|                                                                                                                           | 50 | 5.5                                                 | 10.0 | 10.0 |
|                                                                                                                           | 48 | 5.7                                                 | 10.0 | 10.0 |
|                                                                                                                           | 36 | 7.6                                                 | 10.0 | 10.0 |
|                                                                                                                           | 24 | 10.0                                                | 10.0 | 10.0 |

For SI: 1 inch = 25.4 mm; 1 psf = 574.6 Pa. <sup>1</sup> Hanger wires must comply with Section 3.3.2 of ICC ES ESR-3336.

| Ceiling Load Limits (PSF) For Different Configurations of Drywall Systems at L/240 with Cross Tees at 16 Inches on Center |    |                                                     |      |      |
|---------------------------------------------------------------------------------------------------------------------------|----|-----------------------------------------------------|------|------|
|                                                                                                                           |    | Hanger Spacing on Main Runner (inches) <sup>1</sup> |      |      |
|                                                                                                                           |    | 48                                                  | 32   | 16   |
| Main Runner Spacing (inches on center)                                                                                    | 72 | 4.7                                                 | 6.5  | 6.5  |
|                                                                                                                           | 50 | 6.7                                                 | 10.0 | 10.0 |
|                                                                                                                           | 48 | 7.0                                                 | 10.0 | 10.0 |
|                                                                                                                           | 36 | 9.3                                                 | 10.0 | 10.0 |
|                                                                                                                           | 24 | 10.0                                                | 10.0 | 10.0 |

For SI: 1 inch = 25.4 mm; 1 psf = 574.6 Pa. <sup>1</sup> Hanger wires must comply with Section 3.3.2 of ICC ES ESR-3336.

## Wire Data (9-gauge and 12-gauge)

### 9-Gauge Wire Breaking Strength and Technical Data

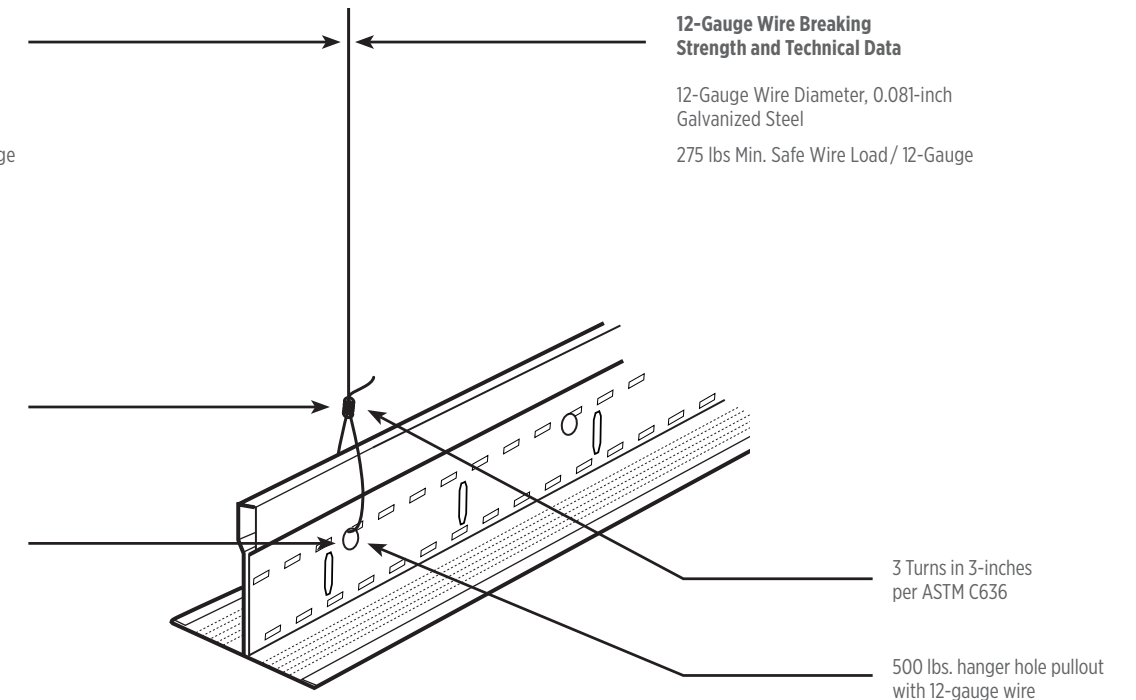
9-Gauge Wire Diameter, 0.114-inch Galvanized Steel  
645 lbs Min. Safe Wire Load / 9-Gauge

### 12-Gauge Wire Breaking Strength and Technical Data

12-Gauge Wire Diameter, 0.081-inch Galvanized Steel  
275 lbs Min. Safe Wire Load / 12-Gauge

3 Turns in 3-inches per ASTM C636

450 lbs. hanger hole pullout with 9-gauge wire



NOTE: CertainTeed Drywall Grid System can be used with either 9-gauge or 12-gauge hanger wire. Consult local authorities having jurisdiction for local code requirements.

## Quantity Estimating Tables

| DESCRIPTION         | DIMENSIONS (LENGTH) | PCs (PER CARTON) | LF (PER CARTON) | LBS./CARTON | AREA OF CEILING COMPLETE BY ONE CARTON (SQ. FT.) |          |          |          |          |          |          |      |
|---------------------|---------------------|------------------|-----------------|-------------|--------------------------------------------------|----------|----------|----------|----------|----------|----------|------|
|                     |                     |                  |                 |             | 8" O.C.                                          | 16" O.C. | 24" O.C. | 36" O.C. | 48" O.C. | 50" O.C. | 72" O.C. |      |
| <b>Main Runners</b> |                     |                  |                 |             |                                                  |          |          |          |          |          |          |      |
| DWS12-13-20         | Main Runner / G40   | 144"             | 16              | 192         | 61                                               | —        | —        | 384      | 576      | 768      | 800      | 1152 |
| DWS12-13-20 G90     | Main Runner / G90   | 144"             | 16              | 192         | 61                                               | —        | —        | 384      | 576      | 768      | 800      | 1152 |

| DESCRIPTION       | DIMENSIONS (LENGTH)         | PCs (PER CARTON) | LF (PER CARTON) | LBS./CARTON | AREA OF CEILING COMPLETE BY ONE CARTON (SQ. FT.) |          |          |
|-------------------|-----------------------------|------------------|-----------------|-------------|--------------------------------------------------|----------|----------|
|                   |                             |                  |                 |             | 8" O.C.                                          | 16" O.C. | 24" O.C. |
| <b>Cross Tees</b> |                             |                  |                 |             |                                                  |          |          |
| DWS1.16-13-20     | Cross Tee / G40 & G90 / 14" | 48               | 56              | 18          |                                                  |          |          |
| DWS2-13-20        | Cross Tee / G40 & G90 / 24" | 48               | 96              | 31          | 64                                               |          |          |
| DWS2.16-13-20     | Cross Tee / G40 & G90 / 26" | 48               | 104             | 33          |                                                  |          |          |
| DWS3-13-20        | Cross Tee / G40 & G90 / 36" | 48               | 144             | 46          |                                                  |          |          |
| DWS4-13-20        | Cross Tee / G40 & G90 / 48" | 48               | 192             | 61          | 96                                               | 192      | 288      |
| DWS4.16-13-20     | Cross Tee / G40 & G90 / 50" | 48               | 200             | 64          | 133.33                                           | 267      | 400      |
| DWS6-13-20        | Cross Tee / G40 & G90 / 72" | 36               | 216             | 72          | 144                                              | 288      | 432      |

| DESCRIPTION       | DIMENSIONS (LENGTH) | PCs (PER CARTON) | LF (PER CARTON) | LBS./CARTON |
|-------------------|---------------------|------------------|-----------------|-------------|
| <b>Wall Angle</b> |                     |                  |                 |             |
| DWA1.5-1.5        | 1.5" WA G40         | 20               | 240             | 45          |
| DWA1.5-1.5 G90    | 1.5" WA G90         | 20               | 240             | 45          |
| DWA2-2            | 2" WA G40           | 20               | 240             | 59          |
| DWA2-2 G90        | 2" WA G90           | 20               | 240             | 59          |

## Estimating Lineal Feet of Suspension System Based Square Footage of Ceiling

| ON-CENTER SPACING | PERCENT OF SQUARE FOOTAGE |
|-------------------|---------------------------|
| 8"                | 150%                      |
| 12"               | 100%                      |
| 16"               | 75%                       |
| 20"               | 60%                       |
| 24"               | 50%                       |
| 30"               | 40%                       |
| 36"               | 33%                       |
| 48"               | 25%                       |
| 60"               | 20%                       |
| 72"               | 17%                       |

### Example calculation:

#### Main Runners at 48" O.C.

6,400 sq. ft. x .25 = 1,600 ln. ft.  
1,600 ln. ft. / 192 ln. ft. / Ctn = 9 cartons required

#### 48" Cross Tees at 24" O.C.

6,400 sq. ft. x .50 = 3,200 ln. ft.  
3,200 ln. ft. / 192 ln. ft. / Ctn = 17 cartons required

#### 48" Cross Tees at 16" O.C.

6,400 sq. ft. x .76 = 4,864 ln. ft.  
4,864 ln. ft. / 192 ln. ft. / Ctn = 26 cartons required

# QuickSpan™ Locking Drywall Suspension System

## Featuring the QuickSpan™ Support Clip



## Performance

### QuickSpan Locking Channel

- 1-1/2-inch wide bottom flange
- 0.020-inch metal thickness allows for superior rigidity and maximum screw retention
- Tees quickly twist into place for fast installation
- Knurled pattern on back and bottom of flange for easy screw insertion
- No need for screw-attachment of tees
- Integral locking tabs spaced 8-inches O.C. allows for common 8", 16", and 24" tee spacing
- G40 hot dipped galvanized steel for excellent corrosion resistance

### QuickSpan Spanning Tees

- 1.5 inch wide knurled face for easy screw installation and no screw spin off
- Unsupported spans - max. 14ft for 1/2-inch drywall and 11ft 3in for 5/8-inch drywall
- Heavy duty material - 0.020" metal thickness for maximum rigidity and screw grip
- Double-stitched web for added strength
- Sizes - standard and custom lengths available

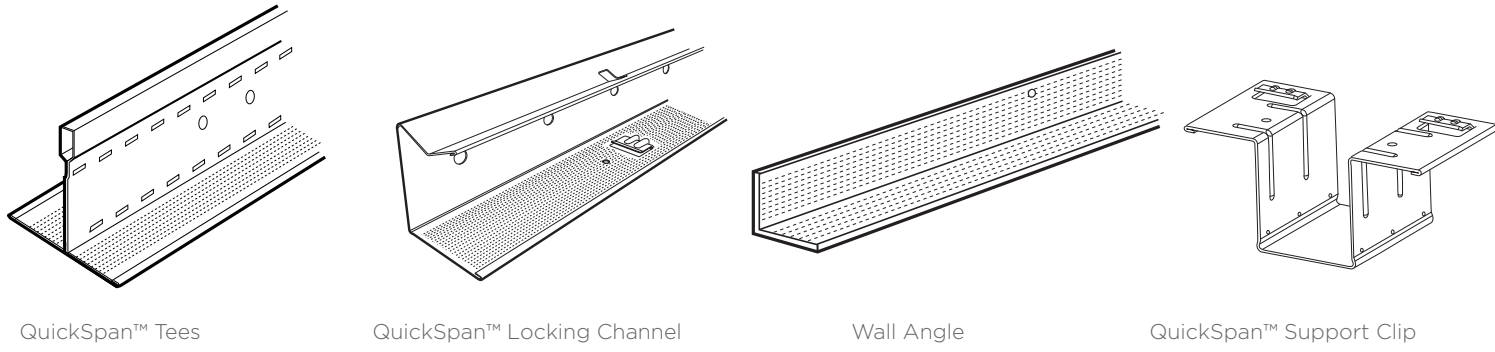
### QuickSpan Support Clip

- Snap and fasten to carrying tee for support of spans up to 16'
- Allows for wire spacing up to 6' 6"

## Code Compliance

- Meets ASTM C635
- Meets ASTM C645
- Installation per ASTM C636
- Installation per ASTM C754
- ICC Evaluation Service Report (ESR 3941)
- IBC categories D, E, and F drywall ceilings that are on one level and connected on all sides to walls that are braced to the structure above are exempt from lateral force bracing requirements.
- Consult local authorities having jurisdiction for local code requirements

## Components



|                        | DESCRIPTION                       | DIMENSIONS<br>L x H x W (IN.) | HANGER/LOCK SPACING<br>(IN.) | PIECES/<br>BUNDLE | LIN. FT./<br>BUNDLE | LBS./<br>BUNDLE | RECYCLED CONTENT<br>TOTAL |
|------------------------|-----------------------------------|-------------------------------|------------------------------|-------------------|---------------------|-----------------|---------------------------|
| <b>Spanning Tees</b>   |                                   |                               |                              |                   |                     |                 |                           |
| <b>QST6-13-20</b>      | 6' QuickSpan Tee G40              | 72 x 1-9/16 x 1-1/2           | 4" O.C.                      | 12                | 72                  | 25              | 87%                       |
| <b>QST8-13-20</b>      | 8' QuickSpan Tee G40              | 96 x 1-9/16 x 1-1/2           | 4" O.C.                      | 12                | 96                  | 34              | 87%                       |
| <b>QST10-13-20</b>     | 10' QuickSpan Tee G40             | 120 x 1-9/16 x 1-1/2          | 4" O.C.                      | 12                | 120                 | 42              | 87%                       |
| <b>QST12-13-20</b>     | 12' QuickSpan Tee G40             | 144 x 1-9/16 x 1-1/2          | 4" O.C.                      | 12                | 144                 | 50              | 87%                       |
| <b>QST14-13-20</b>     | 14' QuickSpan Tee G40             | 168 x 1-9/16 x 1-1/2          | 4" O.C.                      | 12                | 168                 | 59              | 87%                       |
| <b>QST16-13-20</b>     | 16' QuickSpan Tee G40             | 192 x 1-9/16 x 1-1/2          | 4" O.C.                      | 12                | 192                 | 67              | 87%                       |
| <b>CUSTOM</b>          | Custom Length (Max = 16')         | TBD x 1-9/16 x 1-1/2          | 4" O.C.                      | —                 | —                   | —               | 87%                       |
| <b>Wall Angle</b>      |                                   |                               |                              |                   |                     |                 |                           |
| <b>DWA1.5-1.5</b>      | 1-1/2" Knurled Wall Angle G40     | 144 x 1-1/2 x 1-1/2           |                              | 20                | 240                 | 45              | 88%                       |
| <b>DWA2-2</b>          | 2" Knurled Wall Angle G40         | 144 x 2 x 2                   |                              | 20                | 240                 | 59              | 88%                       |
| <b>Locking Channel</b> |                                   |                               |                              |                   |                     |                 |                           |
| <b>QSLC12-14-20</b>    | 12' QuickSpan Locking Channel G40 | 144 x 1-3/4 x 1-9/16          | 8" O.C.                      | 12                | 144                 | 40              | 87%                       |
| <b>Support Clip</b>    |                                   |                               |                              |                   |                     |                 |                           |
| <b>QSSC1</b>           | QuickSpan Support Clip            | 3.83 x 1.61 x 2               | N/A                          | 100               | N/A                 | N/A             | 87%                       |

QuickSpan tees and locking channel must be used together.  
G-90 galvanization is available for extreme corrosion resistance and exterior applications.

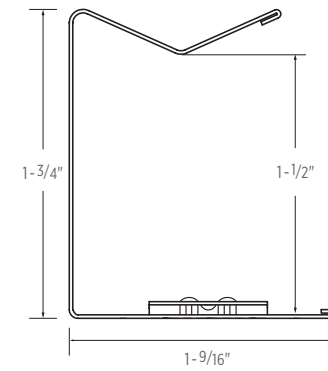


**No Cardboard Cartons** Reduced waste / Easy open

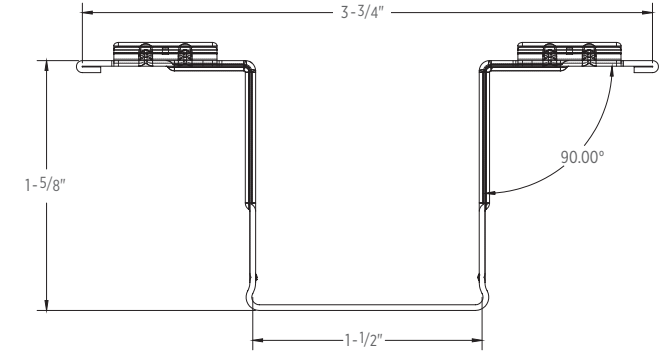
## Profile and Spacing

Locking Channel QSLC12-14-20

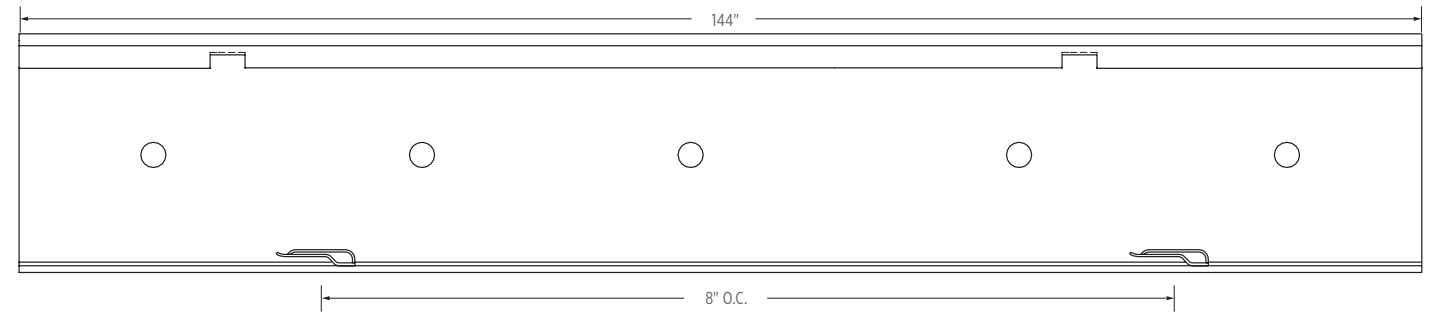
Profile (end view)



Support Clip

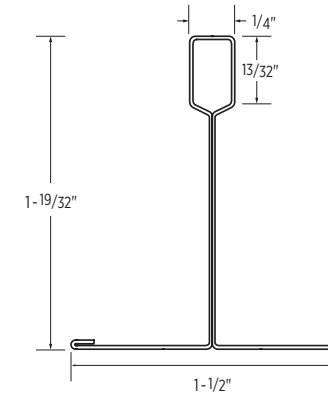


Spacing (side view)

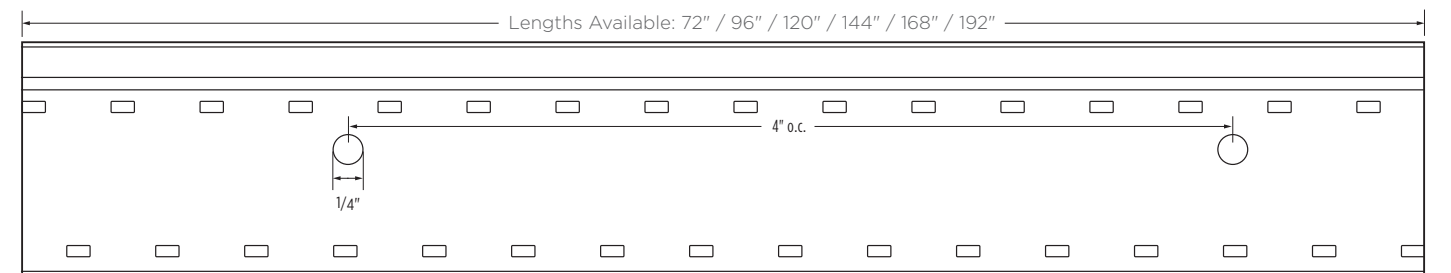


Spanning Tees QST6-13-20 / QST8-13-20 / QST10-13-20 / QST12-13-20 / QST14-13-20 / QST16-13-20

Profile (end view)



Spacing (side view)



## Load Data (QuickSpan™ System Only)

| Max Design Span for<br>5 lbs/Sq. Ft. (Double 5/8" Board) |                 |
|----------------------------------------------------------|-----------------|
| 8" O.C.                                                  | 107.7" (8' 11") |
| 16" O.C.                                                 | 82.8" (6' 10")  |
| 24" O.C.                                                 | 72.3" (6')      |

| Max Design Span for<br>2.0 lbs/Sq. Ft. (1/2" Board) |                 |
|-----------------------------------------------------|-----------------|
| 8" O.C.                                             | 152.3" (12' 8") |
| 16" O.C.                                            | 116" (9' 7")    |
| 24" O.C.                                            | 98.2" (8' 2")   |

| Max Design Span for<br>2.5 lbs/Sq. Ft. (5/8" Board) |                 |
|-----------------------------------------------------|-----------------|
| 8" O.C.                                             | 135.6" (11' 3") |
| 16" O.C.                                            | 107.7" (8' 11") |
| 24" O.C.                                            | 91.1" (7' 7")   |

| Max Design Span for<br>1.4 lbs/Sq. Ft. (Lightweight 1/2" Board*) |                 |
|------------------------------------------------------------------|-----------------|
| 8" O.C.                                                          | 168" (14')      |
| 16" O.C.                                                         | 130.6" (10' 5") |
| 24" O.C.                                                         | 114.1" (9' 5")  |

\*CertainTeed Easi-Lite™ Drywall boards weigh between 1.2 and 1.4 lbs/sq ft

## Hanger Wire Spacing (in.) for QuickSpan Tee Perpendicular Support Clip at Center

| GYPSUM BOARD WEIGHT                | FULL SPAN IN FT. (UNSUPPORTED SPAN IN FT.)* |        |          |         |           |         |           |         |           |         |
|------------------------------------|---------------------------------------------|--------|----------|---------|-----------|---------|-----------|---------|-----------|---------|
|                                    | 7' (3.5)                                    | 8' (4) | 9' (4.5) | 10' (5) | 11' (5.5) | 12' (6) | 13' (6.5) | 14' (7) | 15' (7.5) | 16' (8) |
| <b>Hanger Spacing (lbs/sq. ft)</b> |                                             |        |          |         |           |         |           |         |           |         |
| 5 LBS/SQ. FT.                      | 60.0                                        | 57.4   | 55.2     | 53.3    | 51.6      | 50.1    | 48.8      | 47.6    | 46.5      | 45.5    |
| 2.5 LBS/SQ. FT.                    | 75.6                                        | 72.3   | 69.5     | 67.1    | 65.0      | 63.2    | 61.5      | 60.0    | 58.6      | 57.4    |
| 2 LBS/SQ. FT.                      | 78.0                                        | 78.0   | 74.9     | 72.3    | 70.0      | 68.0    | 66.2      | 64.6    | 63.2      | 61.8    |
| 1.4 LBS/SQ. FT.                    | 78.0                                        | 78.0   | 78.0     | 78.0    | 78.0      | 76.6    | 74.6      | 72.8    | 71.1      | 69.6    |

\*Unsupported span is equal to the distance measured between locking channels and the perpendicular QuickSpan support tee.

### NOTE:

1. Installation per ASTM C636
2. Installation per ASTM C754
3. ESR 3941

### Installation:

Must be installed in compliance with ASTM C636, ASTM E580, CISCA, and standard and industry practices within all applicable code requirements. Alternative assemblies and installation methods may be utilized when approved by the authority having jurisdiction. CertainTeed recommends checking with the authority having jurisdiction prior to designing and installing a suspended ceiling system.

### Code Compliance:

The information is correct to the best of our knowledge at the date of issuance. Because codes continue to evolve, check with local officials prior to designing and installing a ceiling system. Other restrictions and exemptions may apply.

## Installation Method and Instructions for QuickSpan™

### Step 1:

Establish the height of your locking c-channel above the finished floor. Be sure to incorporate the thickness of the gypsum board.

### Step 2:

Establish the position of your first spanning tee. Measure and cut the locking c-channel so that the first carpenter's mark is the appropriate distance from the starting point.

### Step 3:

The locking c-channel must be screw-attached to minimum no. 25 gauge steel wall studs spaced at a maximum spacing of 24" on center, with one no. 8 screw by 1-1/4" long, self-tapping screws.

### Step 4:

Repeat steps 1-3 on the opposite wall, making sure that the carpenter lines match up.

### Step 5:

Install hanger wires in the center of the span at the required on center spacing. On the adjacent wall, fasten 24" piece of locking c-channel with carpenter's mark in the center. This piece will receive the carrying tee at the wall.

### Step 6:

Install spanning tees by turning the tee on its side. Insert one end in the channel. On an angle, slide the other end into the channel on the opposite wall. Guide the bulb of the tee into the cut out on the "V" at the top of the channel, and then twist the tee until the flange "clicks" into the locking tab.

### Step 7:

Repeat step 5 at the other end. Repeat 5 and 6 until area is complete.

### Step 8:

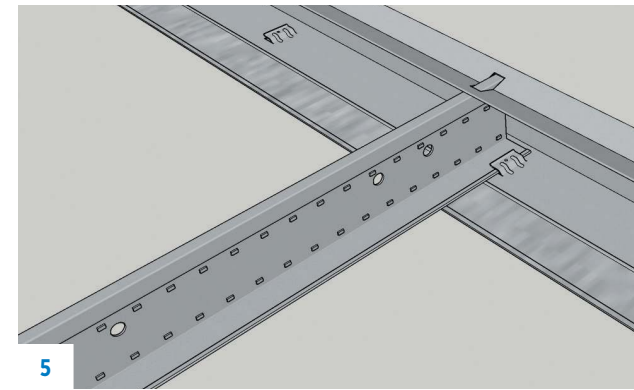
Feed the spanning tee above and perpendicular to the installed cross tees. This will serve as the carrying t-bar. Install one end into the locking c-channel.

### Step 9:

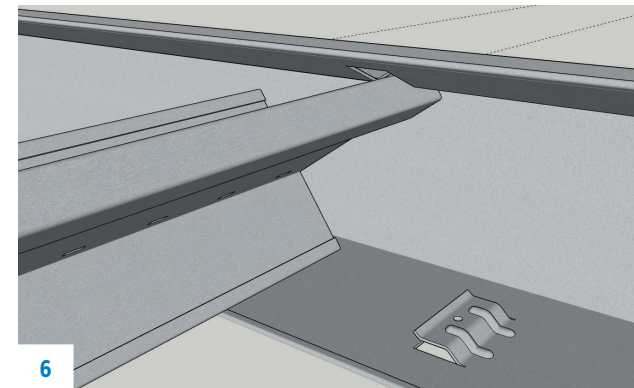
Clip the QuickSpan Support Clip on the spanning tee by snapping the u-shaped area onto flange.

### Step 10:

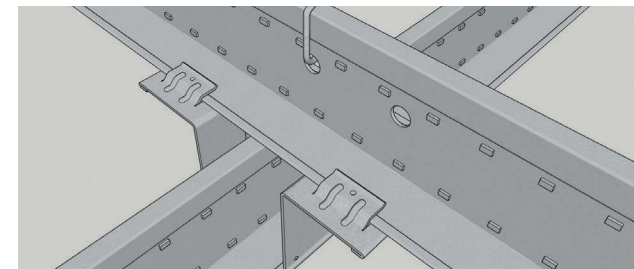
Slide the clip toward the carrying t-bar and push to engage both locking tabs on the flange of the t-bar. Both tabs should click to be properly seated.



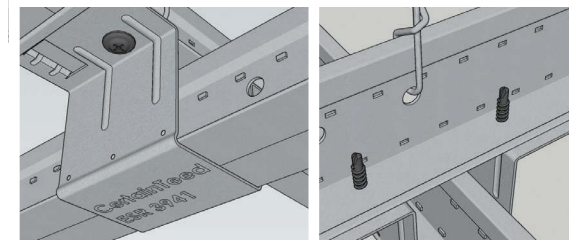
5



6

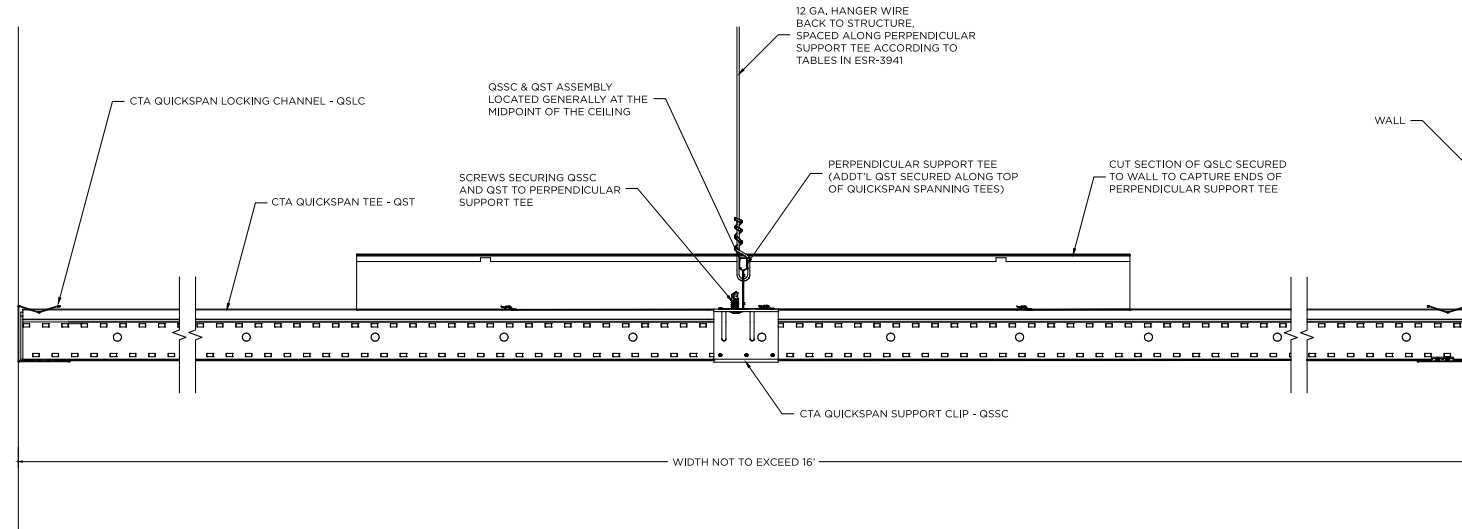
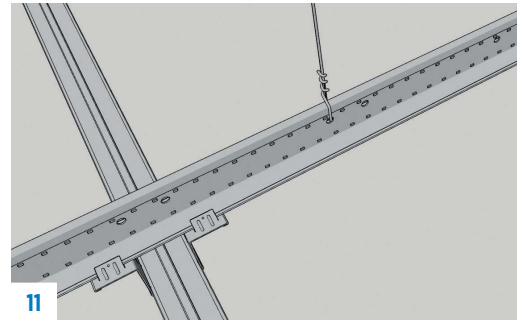


9



**Step 11:**

Measure centers from the wall and spanning tees before fastening two screws into the holes of the QuickSpan Support Clip using no. 7 wafer head Vector®\* screws.



**QSSC Assembly Plan**

**Step 12:**

Repeat step 11 alternating the side the locking tabs are on.

**Step 13:**

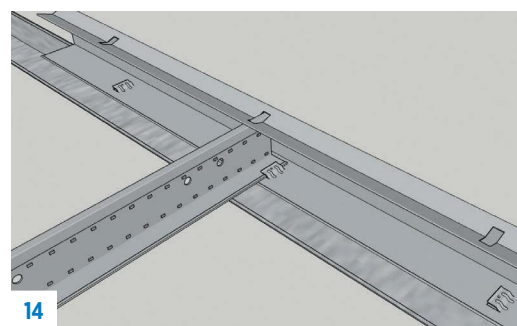
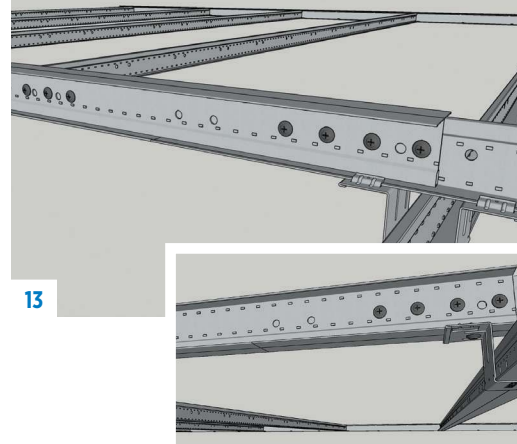
Cut 16" pieces of carrying t-bar for the splice support connection. Make the 8" line of the 16" piece with a marker. Turn this piece upside down and center at the splice of the carrying t-bar. Fasten each side with four no. 7 wafer head Vector® screws.

**Step 14:**

Repeat step 13 at each splice until all splices are complete. On the terminating wall, fasten 24" piece of locking c-channel with carpenter's mark in the center using no. 8 by 1-1/4" long, steel-framing, self-tapping screws. This piece will receive the carrying tee at the wall.

**Step 15:**

Tie hanger wires through the carrying t-bar, making sure to level the system.



**Quantity Estimating Tables (QuickSpan™ Locking Drywall Grid System Only)**

|                        | DIMENSIONS LENGTH | PER BUNDLE |     |      | LENGTH OF HALLWAY COMPLETE BY ONE CARTON - 2 SIDES (LF) |
|------------------------|-------------------|------------|-----|------|---------------------------------------------------------|
|                        |                   | PCs        | LF  | LBs. |                                                         |
| <b>Locking Channel</b> |                   |            |     |      |                                                         |
| <b>QSLC12-14-20</b>    | 144"              | 12         | 144 | 40   | 71                                                      |

|                      | DIMENSIONS LENGTH | PER BUNDLE |     |      | LENGTH OF HALLWAY COMPLETE BY ONE CARTON (LF) WIDTH NOT FACTORED - WILL VARY BY SELECTED CROSS TEE |          |          |
|----------------------|-------------------|------------|-----|------|----------------------------------------------------------------------------------------------------|----------|----------|
|                      |                   | PCs        | LF  | LBs. | 8" O.C.                                                                                            | 16" O.C. | 24" O.C. |
|                      |                   |            |     |      |                                                                                                    |          |          |
| <b>Spanning Tees</b> |                   |            |     |      |                                                                                                    |          |          |
| <b>QST6-13-20</b>    | 72"               | 12         | 72  | 25   | 96                                                                                                 | 192      | 288      |
| <b>QST8-13-20</b>    | 96"               | 12         | 96  | 34   | 96                                                                                                 | 192      | 288      |
| <b>QST10-13-20</b>   | 120"              | 12         | 120 | 42   | 96                                                                                                 | 192      | 288      |
| <b>QST12-13-20</b>   | 144"              | 12         | 144 | 50   | 96                                                                                                 | 192      | 288      |
| <b>QST14-13-20</b>   | 168"              | 12         | 168 | 59   | 96                                                                                                 | 192      | 288      |
| <b>Custom</b>        | TBD               | —          | —   | —    | —                                                                                                  | —        | —        |

|                   | DESCRIPTION       | DIMENSIONS LENGTH (IN.) | PER BUNDLE |     |      |
|-------------------|-------------------|-------------------------|------------|-----|------|
|                   |                   |                         | PCs        | LF  | LBs. |
| <b>Wall Angle</b> |                   |                         |            |     |      |
| <b>DWA1.5-1.5</b> | 1.5" WA (G40/G90) | 144                     | 20         | 192 | 45   |
| <b>DWA2-2</b>     | 2" WA (G40/G90)   | 144                     | 20         | 192 | 59   |

|                     | DESCRIPTION            | DIMENSIONS LENGTH (IN.) | PER BUNDLE |     |      |
|---------------------|------------------------|-------------------------|------------|-----|------|
|                     |                        |                         | PCs        | LF  | LBs. |
| <b>Support Clip</b> |                        |                         |            |     |      |
| <b>QSSC1</b>        | QuickSpan Support Clip | 3.83                    | 100        | N/A | N/A  |

\*Vector® is an owned and registered trademark of Grabber Construction Products, Inc.



For more information or to contact your local sales representative, visit [certainteed.com/architectural](https://certainteed.com/architectural)



**CertainTeed**

CEILINGS • GYPSUM • INSULATION • ROOFING • SIDING • TRIM  
20 Moores Road, Malvern, PA 19355 800-233-8990 [certainteed.com](https://certainteed.com)