

YOUR OBJECTIVE:  
To learn the correct method  
for installing Belmont™.



Belmont is an oversized 18" x 36" designer shingle with an 8" exposure.

Fastening, steep slopes, and flashing requirements are special because of the thickness, design, and weight of this product.

For UL fire rating, underlayment may be required. Apply flat and unwrinkled.

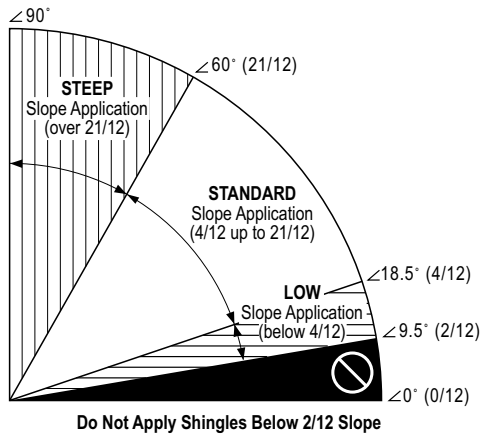


Figure 18-1: Slope definitions.

**STANDARD OR STEEP SLOPES:** CertainTeed recommends DiamondDeck® or RoofRunner™ Synthetic Underlayment or shingle underlayment meeting ASTM D226, D4869 or D6757. Take care to ensure sufficient deck ventilation when DiamondDeck, RoofRunner or other synthetic underlayment is installed. Follow manufacturer's application instructions.

**LOW SLOPES:** All roof shingles applied to a low slope deck (2" to below 4" per foot) require the use of CertainTeed WinterGuard® or VYCOR® Waterproofing Shingle Underlayment, or its equivalent,\* applied over the entire deck surface. Consult the WinterGuard or VYCOR® and individual shingle application instructions for details.

\*For low slopes, underlayment equivalents to WinterGuard or VYCOR® include:

- 1) waterproofing shingle underlayments meeting ASTM D1970;
- 2) in areas not prone to snow or ice, two layers of 36" (915 mm) wide felt shingle underlayment lapped 19" (485 mm).

- 3) in areas not prone to snow or ice, two layers of CertainTeed's DiamondDeck or RoofRunner™ in shingle fashion (half lap) per the low-slope application instructions.

Shingle underlayment should meet ASTM D6757, ASTM D4869 Type I or ASTM D226 Type I. Ensure sufficient deck ventilation when DiamondDeck, RoofRunner or other synthetic underlayment is installed.

The roof deck must be at least: 3/8" (9.5 mm) thick plywood, or 7/16" (11 mm) thick non-veneer, or 1" (25 mm) thick nominal wood deck.

**COLD WEATHER CLIMATES (ALL SLOPES):** Application of WinterGuard or VYCOR® or a waterproofing shingle underlayment meeting ASTM D1970 is strongly recommended whenever there is a possibility of ice build-up. Follow manufacturer's application instructions.

**FLASHING:** Corrosion-resistant flashing must be used to help prevent leaks where a roof meets a wall, another roof, a chimney or other objects that penetrate a roof.

**SEALING:** Shingle sealing may be delayed if shingles are applied in cool weather and may be further delayed by airborne dust accumulation. If any shingles have not sealed after a reasonable time period, hand sealing may be necessary.

**CAUTION:** To prevent cracking, shingles must be sufficiently warm to allow proper forming for hips, ridges and valleys.

**WARRANTY:** These shingles are warranted against manufacturing defects and are covered by SureStart™ protection. See the warranty itself for specific details and limitations.

For technical questions, information on acceptable alternative materials, or a copy of the product warranty, contact the sources listed below:	Warranty	Alternative Instructions	Technical Questions
Your supplier or roofing applicator	✓		
CertainTeed Customer Experience <b>800-233-8990</b>	✓	✓	
CertainTeed-RPG Technical Services <b>800-345-1145</b>	✓	✓	✓

## FASTENING

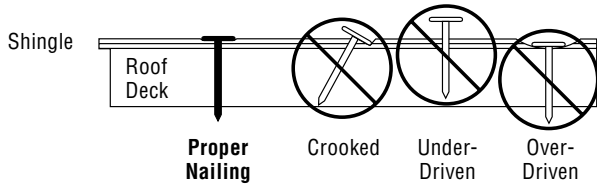


Figure 18-2: Proper and improper nailing.

**IMPORTANT:** For decks 3/4" (19 mm) thick or thicker, nails must go at least 3/4" (19 mm) into the deck. On thinner decks, nails must go at least 1/8" (3.2 mm) through the deck.

Nails must be 11 or 12 gauge roofing nails, corrosion-resistant, with at least 3/8" (9.5 mm) heads, and at least 1-1/4" (32 mm) long.

### LOW AND STANDARD SLOPE

Use FIVE nails for every full shingle located as shown below.

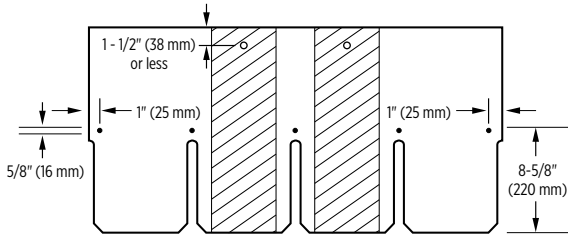


Figure 18-3: Use five nails for every full shingle.

### STEEP SLOPE

Use SEVEN nails and EIGHT spots of asphalt roofing cement for every full shingle as shown below. Apply asphalt roofing cement 1" (25 mm) from edge of shingle. Asphalt roofing cement meeting ASTM D4586 Type II is suggested.

**CAUTION:** Excessive use of roofing cement can cause shingles to blister.

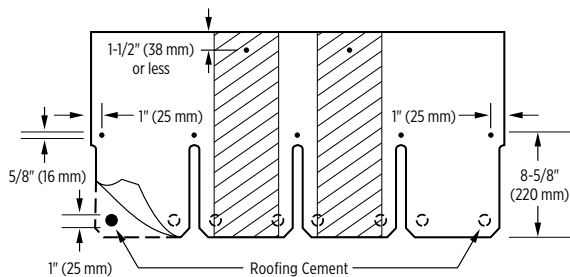


Figure 18-4: Use seven nails and eight spots of asphalt roofing cement on steep slopes.

**IMPORTANT:** To prevent slippage of the laminated tabs (shown cross-hatched above) when individual shingles meet a wall, ridge, and on steep slopes (greater than 21" per foot), each laminated tab at the junction must be fastened individually with an additional fastener as shown. Fasteners applied to the tabs in this manner are to be horizontally centered on the laminated tab and placed within 1-1/2" (38 mm) of the upper edge of the shingle. To protect against slippage of the laminated tabs during application of these shingles in hot weather, it might become necessary to fasten all the tabs individually as described above.

## SINGLE-COLUMN VERTICAL RACKING METHOD

### 4-1/2" OFFSET, SINGLE-COLUMN, VERTICAL RACKING METHOD ("RACKING")

**Underlayment:** Apply as required, following manufacturer's instructions. Figure 18-5 illustrates application of standard felt underlayment, for standard or steep-slopes only. Always ensure sufficient deck ventilation, and take particular care when DiamondDeck®, RoofRunner™ or other synthetic underlayment is installed. Follow manufacturer's application instructions.

**Alignment:** Snap horizontal and vertical chalklines to assure shingles will be correctly aligned. Expose all shingles 8" (203 mm).

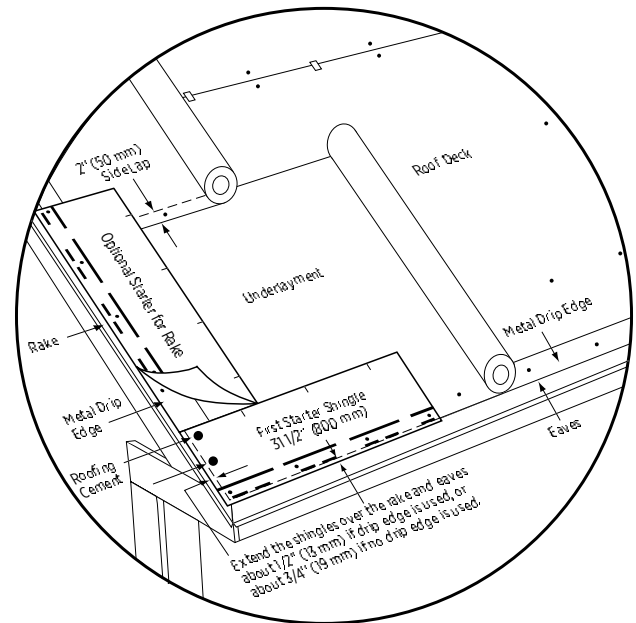


Figure 18-5: Standard slope underlayment and starter drip edge details.

**STARTER COURSE (IMPORTANT):** Use CertainTeed's High-Performance Starter Shingles or remove the lower 8" (203 mm) tab portions from Belmont shingles. **DO NOT ROTATE OR "FLIP" FULL SHINGLE. SEALANT STRIPES MUST BE AT LOWER-MOST EDGE.**

Cut 4-1/2" (115 mm) off the LEFT end of the first starter shingle only. Apply the 31-1/2" (800 mm) remaining piece to the lower left corner of the roof. Install nails approximately 3" (76 mm) up from eave, assuring they go into solid wood. Use full length High-Performance Starter or cut Belmont® shingles as a starter for the rest of the course. For added protection, it is suggested, not required, to install Belmont starter shingles or CertainTeed's High-Performance Starter [10" x 36" (254 mm x 914 mm)] along the rake edges of the roof and butt shingles (DO NOT OVERLAP).

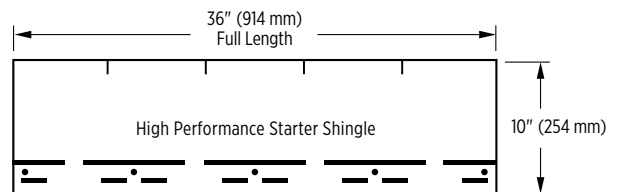


Figure 18-6: High Performance Starter Shingle

**1ST COURSE:** Apply a full Belmont shingle at the lower left corner of the roof, flush with the starter course left corner. Fasten with 5 nails (See Figure 18-7).

**2ND COURSE:** Cut 4-1/2" (115 mm) off the left end of a full shingle and apply remaining 31-1/2" (800 mm) piece over left edge of 1st course. Fasten with 5 nails and ensure 8" (203 mm) exposure (See Figure 18-7).

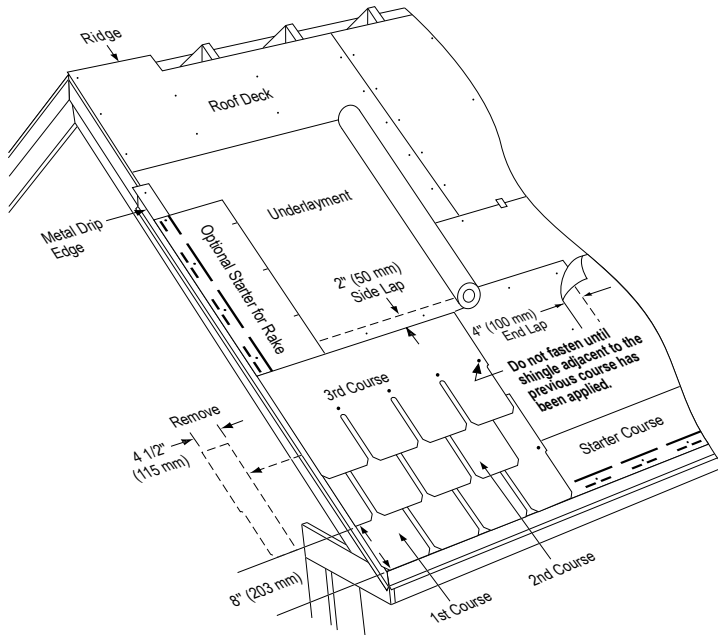


Figure 18-7: Applying the first 3 courses on a standard slope.

**SUCCEEDING COURSES:** Begin application of the 3rd course with a full shingle. Fasten with 4 nails, leaving the right end unfastened until later (See Figure 18-7).

Begin the 4th course using a shingle with 4-1/2" (115 mm) cut off its left end. Fasten with 5 nails. To begin the application of subsequent courses, alternate full shingles [36" (914 mm)] and cut shingles [31-1/2" (800 mm)] up the rake edge, fastening as described.

**REMAINING COLUMNS AND COURSE COMPLETION:** Apply a full shingle against the right edge of each shingle in previous column.

When applying a shingle against a covered shingle, carefully lift the right edge of the shingle above and slip the new shingle under it. Fasten as usual with 5 fasteners; then, fasten the loose right edge of the shingle above (See Figure 18-8).

### INSTALLING VALLEYS

- ◆ Closed-cut and open valleys are recommended.
- ◆ When installing an open valley, preformed "W" style valleys are preferred.

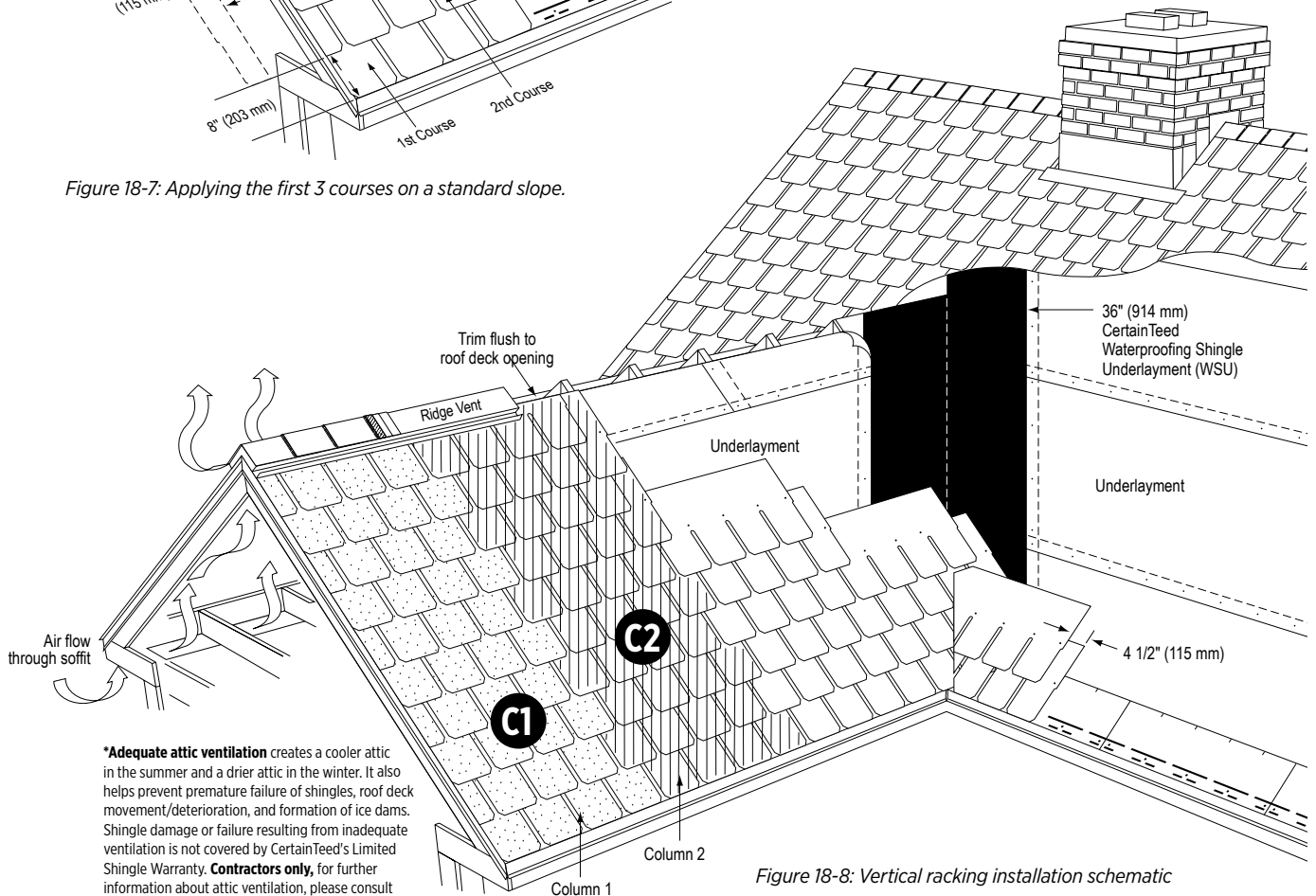


Figure 18-8: Vertical racking installation schematic

**\*Adequate attic ventilation** creates a cooler attic in the summer and a drier attic in the winter. It also helps prevent premature failure of shingles, roof deck movement/deterioration, and formation of ice dams. Shingle damage or failure resulting from inadequate ventilation is not covered by CertainTeed's Limited Shingle Warranty. **Contractors only**, for further information about attic ventilation, please consult the "CertainTeed Shingle Applicators Manual" (call 1-800-404-9880 for a copy), and/or "The Principles of Attic Ventilation" brochure (call 1-800-AIRVENT for a copy).

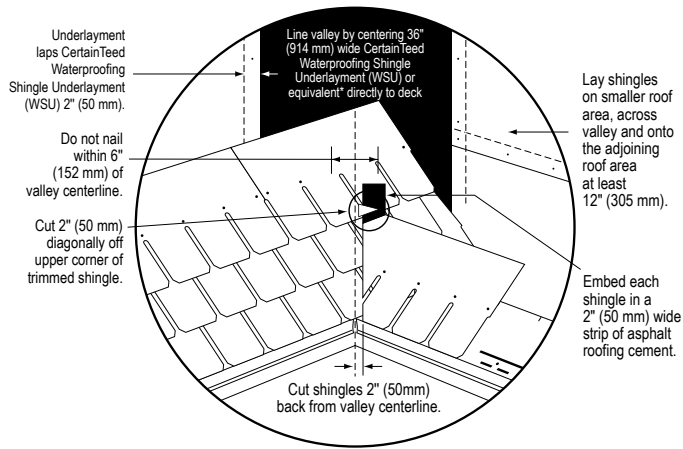


Figure 18-9: Closed-cut valley installation.

## CHIMNEY FLASHING

**Metal Step Flashing:** First course of metal flashing must consist of a minimum 5" x 12" (127 mm x 305 mm) piece applied flush with the lowermost edge of the first shingle. Succeeding courses of flashing must consist of pieces that are a minimum 5" x 10" (127 mm x 254 mm) in size. Each succeeding course of flashing must "overlap" the flashing course beneath it a minimum of 2" (50 mm).

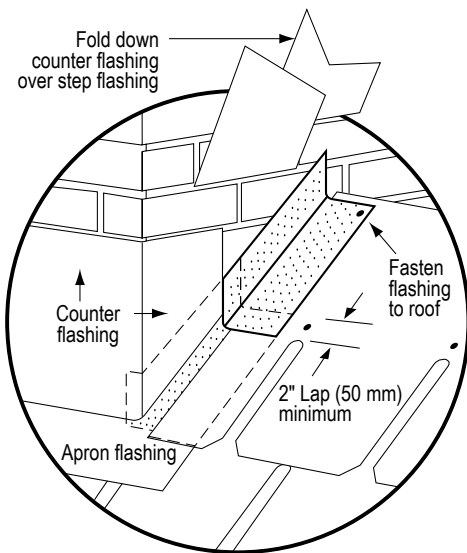


Figure 18-10: Flashing around a chimney.

## CEDAR CREST MEDIUM-PROFILE HIP AND RIDGE ACCESSORY SHINGLES

Use Cedar Crest® accessory shingles to cover hips and ridges. Carefully separate the three-piece units prior to application, by first folding along the pre-cut lines and then detaching the pieces (see Figure 18-11). No cutting is necessary. There are 30 individual shingles (10 three-piece units) in each bundle. One bundle will cover 20 linear feet. Each 12" x 12" (305 mm x 305 mm) shingle has a shadowline that is a design feature which is visible when applied properly. To prevent shingle damage during application, they must be sufficiently warm to allow proper forming.

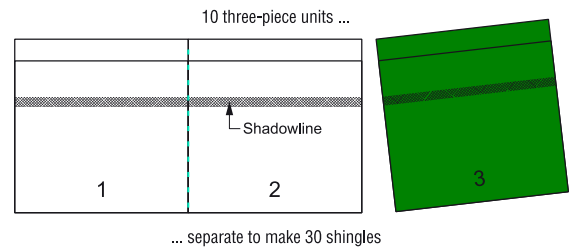


Figure 18-11: Separate to make 3 cap shingles.

### FASTENING

**IMPORTANT:** Use TWO nails for each shingle. Fasteners must be minimum 1-3/4" (45 mm) long. All nail heads must be driven straight and must not cut into shingle surface. Nails must not be exposed on finished roof.

For the starter shingle, place fastener 1" in from each side edge and about 2" up from the starter shingle's exposed butt edge, making sure fastener goes 3/4" into the deck or all the way through the deck. (see Figure 18-12). For each full Cedar Crest shingle, place fasteners 8-5/8" up from its exposed butt edge and 1" in from each side edge (see Figure 18-13).

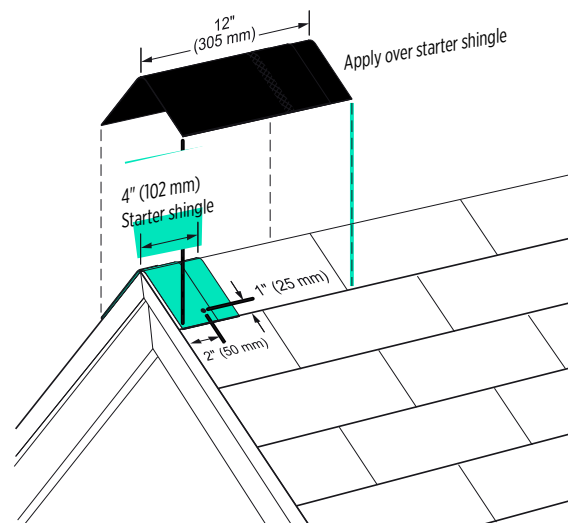


Figure 18-13: Apply a full cap shingle over the starter shingle.

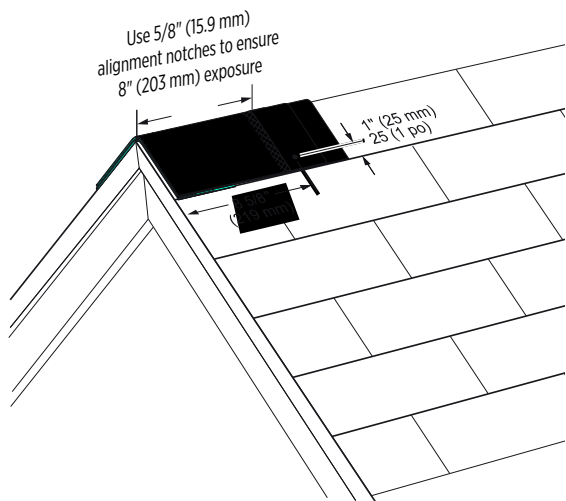


Figure 18-14: Install cap shingles at an 8" exposure and fasten with one nail on each side as shown.

**IMPORTANT:** High Wind Instructions. In order to achieve the ASTM D3161 Class "F" Wind Resistance Classification each "hip and ridge" shingle must be both 1) fastened with nails as detailed in Cedar Crest Application and 2) hand-sealed with two 1/4" (6 mm) wide beads of either BASF "Sonolastic® NP1™ Adhesive" or Henkel "PL® Polyurethane Roof and Flashing Cement" applied 8 5/8" (219 mm) up from the butt edge, and extending approximately 4" (102 mm) along the sides of the headlap along a line 3/4"-1" (19 mm – 25 mm) in from each side edge of the shingle's headlap as shown. Immediately align and apply the next overlying shingle, gently pressing tab sides into adhesive and ensuring none becomes visible.

Only one side of the double thickness tab is laminated together; to secure the other side, after folding the shingle over the ridge and nailing into position, a 1" (25 mm) diameter spot of either NP1 or PL adhesive must be applied between the shingle layers as shown.

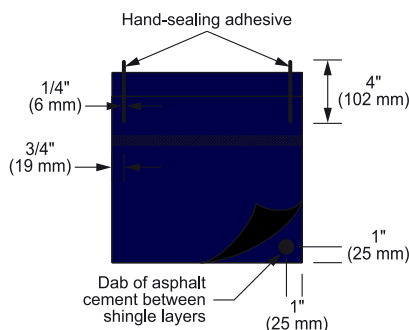


Figure 18-15: Hand seal caps as shown.

### CEDAR CREST APPLICATION

Apply primary roofing up to hip or ridge on both sides of roof and trim flush. Ensure that the Cedar Crest shingles will adequately cover the top course of the shingles on both sides of the hip or ridge. Prepare a 4" (102 mm) "starter" shingle by cutting off the lower 8" (203 mm) color granule portion of one Cedar Crest shingle. Apply the 4" (102 mm) starter piece over the bottom corner of the hip or to either end of the ridge, overhanging the corner or end by approximately 1/2" (13 mm) and bending the starter shingle along its centerline to form into place (see Figure 18-13). Install a nail on each side about 2" (51 mm) up from the starter shingle's exposed butt edge and 1" (25 mm) in from each side edge of the shingle. Then apply a full 12" x 12" (305 mm x 305 mm) piece over the starter, bending the shingle along its

centerline and forming it into place over the hip or ridge, flush with the bottom and side edges of the starter shingle. Utilizing the 5/8" (15.9 mm) notches located on either side of the shingle as a guide, position to help ensure the 8" (203 mm) exposure. Fasten with two (2) fasteners minimum 1-3/4" (45 mm) long with one (1) nail on each side of shingle 8 5/8" (219 mm) up from the butt edge and 1" (25 mm) in from each side edge (see Figure 18-14).

Continue application of Cedar Crest shingles up the hip or along the ridge, forming each shingle over the hip or ridge, and fasten as shown in Fastening. Expose Cedar Crest shingles 8", covering all fasteners.

To assist in proper alignment, snap a chalk line parallel to the hip or ridge applying along the line where the side edges of the Cedar Crest shingles should be.

**NOTE:** When applying Cedar Crest shingles on shingle-over ridge vents, cap shingles may need to be trimmed. Assure proper fit and avoid overhanging vent openings. Contact the ridge vent manufacturer for instructions specific to their product. Be especially careful to use fasteners of sufficient length to penetrate minimum 3/4" (19 mm) into solid decking or through the thickness of the decking, whichever is less. Use approved caulking material to fill gaps between vent and roof surface.

## SHANGLE RIDGE® HIP AND RIDGE

Apply Shangle Ridge shingles to hips and ridges.

1. Each shingle is a 12" x 18" (305 mm x 457 mm), color-coordinated, pre-assembled, double-layered product. Exposure is 8" (203 mm).
2. Apply Belmont™ up to the hip or ridge from both sides and trim flush. Allow for adequate coverage by making sure the last course of shingles will not be exposed more than 8" (203 mm) when the cap shingles are applied.
3. To assist with proper alignment when ridge vents aren't used, snap a chalk line parallel to the hip or ridge along the line where the side edges of the cap should be.
4. If possible, try to start at the end of the ridge opposite to where the prevailing wind strikes the house. This will give the wind and rain less of a chance of getting underneath the cap. As for the hip, begin by installing the cap at the bottom and work your way up.
5. Start with one Shangle Ridge "starter shingle" with its lower 8" (203 mm) cut off, remove the protective tape (see Figure 18-15) from the sealant between the two layers and bend the shingle along the centerline of its longer dimension to form into place over the hip or ridge, beginning at the bottom of the hip or at either end of the ridge.
6. Fasten with 2 fasteners minimum 1-3/4" (44 mm) long.
7. Next install one full Shangle Ridge shingle over top of the "starter shingle", aligning its sides and lower edge to it. Remove the protective tape from the sealant between the two layers and bend the shingle along the centerline of its longer dimension to form into place over the hip or ridge. Fasten each shingle with 2 fasteners minimum 1 3/4" (44 mm) long located as shown in Figure 18-17. Expose each Shangle Ridge 8" and cover all fasteners.

**IMPORTANT:** In order for the shingle to bend smoothly over the hip or ridge, the “left” side (without the protective tape) must be fastened first. Then, remove the protective tape, bend the cap to form into place and fasten the “right” side.

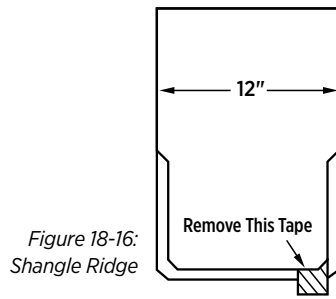


Figure 18-16: Shingle Ridge

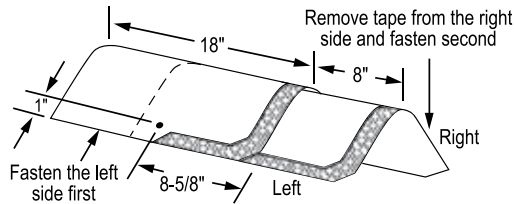


Figure 18-17: Installation of Shingle Ridge shingle on hips and ridges.

8. If shingle-over ridge vents are being installed (see Figure 18-18), they must match the 12” (305 mm) width dimensions of the hip and ridge caps. Be sure to follow the ridge vent manufacturer’s instructions. To attach the cap shingles to the shingle-over ridge vent, use hot-dipped galvanized nails of sufficient length to penetrate 3/4” (19 mm) into, or through, the deck.

**NOTE:** When applying ridge vent over Belmont shingles, minimize the occurrence of voids caused by the shingles’ laminated tabs by using approved caulking material to fill any gaps that form between the vent and the roof surface.

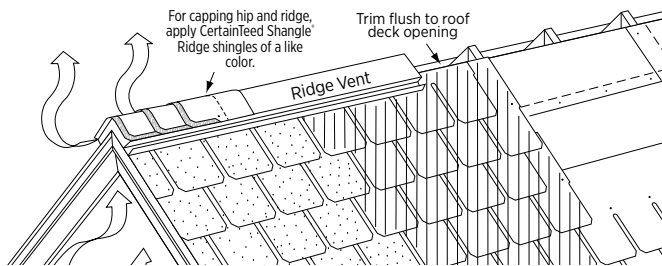


Figure 18-18: Installation of Shingle Ridge shingles on ridge vent.

## REROOFING

### “TEAR OFF”

It is important to determine that the roof deck is in satisfactory condition and the load-bearing capacity is adequate for application of these shingles. If the old roof consists of two or more layers of shingles, or if the roof consists of wood shingles (other than sawn square butt style), it is required to tear off (remove) existing roofing. If the old shingles have exposure lengths other than 8” (203 mm), it is strongly recommended to tear off existing roofing, since roofing over these shingles can lead to periodic patterns which may have an objectionable appearance. After tear-off, repair decking and/or install new decking, and apply underlayment, eaves flashing and shingles according to procedure in “4-1/2” (115 mm) Single-Column Vertical Racking Method” section.

### “ROOF-OVER”:

**IMPORTANT:** If Belmont® shingles are applied over existing asphalt roofing shingles having exposure lengths other than 8” (203 mm) CertainTeed requires using the nesting method described below. Never apply Belmont shingles over laminates or lock-type shingles. Failure to follow these directions will cause shingle “bridging” that can give an objectionable appearance and reduce the performance of the roofing.

### CUTBACK/NESTING METHOD

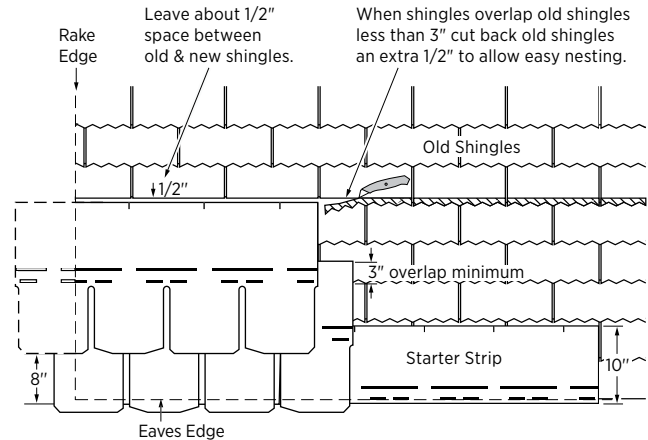


Figure 18-19: “Cutback/Nesting Method”

- 1) Make the surface of the old roof as smooth as possible by replacing missing shingles. Split and nail flat all buckled, raised or curled shingle tabs.
- 2) Cut old shingles back flush to the rakes and eaves.
- 3) Apply corrosion-resistant drip edge along the rakes and eaves, covering the edges of the old shingles.
- 4) **STARTER COURSE:** If applying over old 5” exposure shingles, prepare starter strip according to Belmont application instructions. Apply starter strip with sealant near bottom edge so that the top edge of the starter strip will nest below the lower edge of the third course of old shingles. Starter shingle should overhang eaves and rake edges about 1/2”. If applying over shingles of other than 5” exposure, apply CertainTeed High-Performance™ 10” starter in a similar fashion, with the sealant near the eaves. Follow the cutback/nesting method described below if the top edge of the starter shingle overlaps the old shingles less than 3”.
- 5) **REMAINDER OF ROOF:** Apply Belmont shingles using the 4-1/2” single column vertical racking method. When Belmont shingles overlap the old shingles less than 3”, cut back old shingles to the overlap dimension plus about 1/2”, to allow easy nesting. This “Cutback/Nesting Method” permits the upper part of the Belmont shingle to lay smoothly against the old shingles, resulting in a roof that will perform better and have a more even appearance.

### OVER SQUARE-BUTT WOOD SHINGLES

If the roof consists of square-butt sawn wood shingles, apply beveled wood strips to obtain an even base and apply underlayment, eaves flashing and shingles according to procedure in “4-1/2” (115 mm) Single Column Vertical Racking Method” section.



**Belmont®**  
Installation Video