

Cedar Impressions®

Perfection Shapes Installation Instructions

Installation Guidelines for Cedar Impressions Perfection Shapes: Scallop, Octagon and Half-Cove

These instructions describe and illustrate the steps involved in installing CertainTeed Cedar Impressions Perfection Shapes: Their purpose is to provide detailed information and how-to tips that will simplify the installation process. CertainTeed shall not accept any liability or responsibility under its written warranty for failure caused by application that does not meet our minimum requirements for proper installation. These requirements are outlined throughout the CertainTeed Installation Guide (O4-03-1099-US-EN). Any deviations from these requirements should be approved in writing by CertainTeed LLC.

IMPORTANT

This product is not designed for roof application. It is designed solely for installation on vertical surfaces. Panels must be installed with nails over a solid substrate with nail holding strength such as plywood, oriented strand board, or existing wood siding (minimum 7/16" thick). This product cannot be installed with staples.

NOTE:
Handle shingles carefully to avoid scuffing.

Equipment and Tools

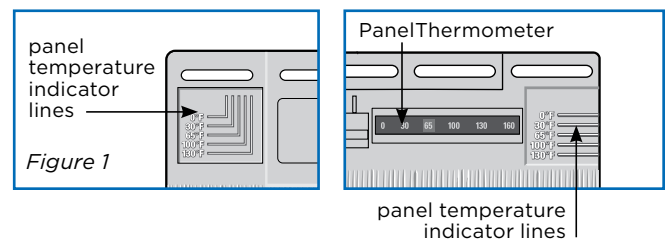
Tools required

- Hammer
- Tape measure
- Square
- Chalk line
- Level
- Utility knife
- Shears
- Chop saw with sharp, 40-tooth carbide blade

Panel Spacing at Different Temperatures

As with any plastic siding, Cedar Impressions® expands and contracts with changes in temperature. For this reason, it is important that you space the panels according to the panel temperature at the time of installation. Failure to provide the proper spacing according to these temperature ranges may result in gaps that are too large or too small, thereby creating the potential for side locking tabs disengaging, panel distortion, or buckling. Spacing of panels previously installed at a different temperature does not require adjustment.

Each panel has a PanelThermometer™ that displays panel temperature and indicator lines that serve as guides for proper spacing between the panels. The PanelThermometer is located on the upper right-hand corner of the panel; the indicator lines are on the upper left-hand corner (*Figure 1*). Note that the panel temperature may change throughout the day. Space the panels according to the panel temperature at the time of installation. The cells on the PanelThermometer will change color to indicate the temperature of the panel.



PanelThermometer Temperature Reading Indicator Lines

- | | |
|-------------------|-----------------------|
| 0 Set to 0 line | 100 Set to 100 line |
| 30 Set to 30 line | 130 Set to 130 line |
| 65 Set to 65 line | 160 Butt panels tight |

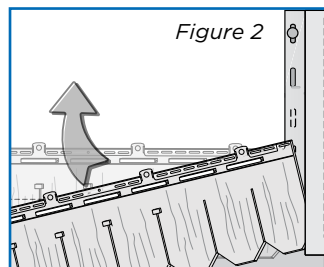
If the brighter cell is between the numbered temperature cells, position the panel between the corresponding temperature indicator lines. Example: If the PanelThermometer reads 65, align the second

panel to the 65 temperature indicator line on the first panel. If the cell between the 65 and 100 is brighter, position the panel between the 65 and 100 temperature indicator lines.

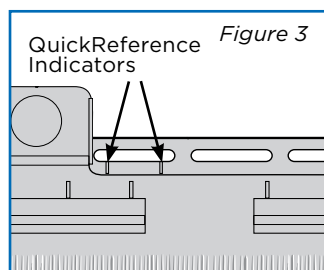
First Course

Installation is made simpler with these easily identifiable features marked on the front the shingles.

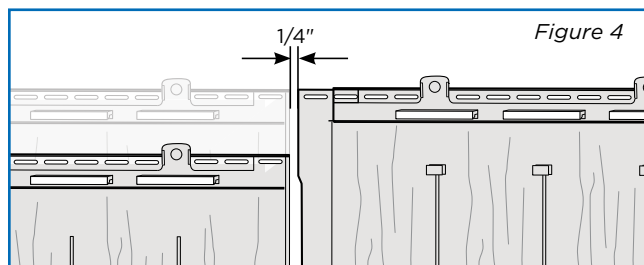
1. Use a full panel to start your first course.
2. Starting on the right side of the wall, hook the bottom locking leg of the panel into the hanger and slide panel into the cornerpost or receiving channel (*Figure 2*). Leave 1/4" space between the panel and the corner for expansion.



3. Fasten the panel to the wall by first nailing through the round center hole in the nailing hem at the top of the panel. Continue nailing the panel with 5 nails: one in the right-end nail slot and one at each of the QuickReference™ Nail Mark Indicators (*Figure 3*). Leave 1/8" to 1/16" between the nail heads and the panel to allow freedom of movement during normal expansion and contraction.



4. Install the next panel by positioning it below the hanger and next to the first panel. Push in and up to lock the panel into the hanger, as shown in *Figure 4*. Space the second panel according to the panel temperature at the corresponding temperature indicator lines (*Figure 1*). Gently tap the outside of the HammerTapper™ ribs to properly position the panel left or right.



5. Nail the panel into position starting with the round center hole and then placing the next nail in the right-end nail slot (which overlaps the previous panel's left-end slot) so that the nail goes through both panels' nail slots simultaneously. Continue nailing the rest of the panel using the procedure in step 3.
6. Continue to install remaining panels of first course as described in steps 3 through 5.

Second Course

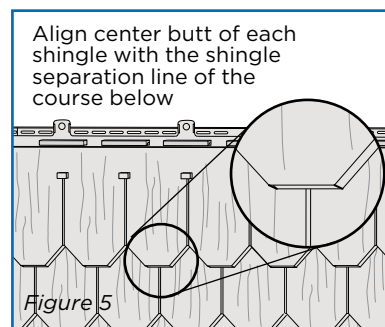
7. Cut 1 to 2 shingles off of the right side of the shapes panel (approximately 5" to 10" from the right) cutting straight through the panel. This step is necessary to ensure proper hanger and lock engagement. Drill a 3/16" hole in the center of the nail hem and nail siding through this hole to control direction of expansion and contraction.

Note: the necessary cut in step 7 ranges from 1 to 2 shingles from right depending the on the pitch of the roof if being installed in a gable.

8. Set the spacing using the PanelThermometer and temperature indicator lines. Another option is to nail each end of a nail slot located at the center of the panel and repeat steps 4-6.

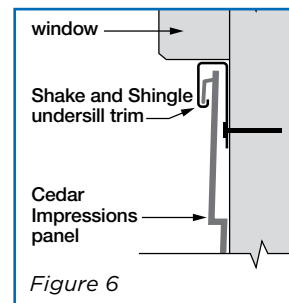
Remaining Courses

9. Repeat steps 1 through 8 as you move up the wall (*Figure 5*).



Installing Under a Window or Opening

Install undersill trim. Cut the panel to fit under the window. Drill a 3/16" hole in the center of the nail hem. Using a snap lock punch, raise tab faces on the outside of the panel 1/4" from the trimmed edge, 6" apart. Lock the panel into the previous course, and center nail the siding through the 3/16" hole drilled earlier. (Center nailing controls the direction of the panel's expansion and contraction.) Lock the panel into place (*Figure 6*).



Installing Over a Window or Opening

Cut the panel to fit over the window by measuring from the locking tab of the previous row to the bottom of the receiving pocket (Figure 7). Add 1/8" to this measurement. Turn the panel over and, using this measurement, measure from the bottom of the return leg (Figure 8). Cut the panel to this dimension. Install the cut panel by positioning the panel over the window and into the receiving pocket. Lock the cut panel into the previous course by pushing in and up. The cut edge should be 1/4" below the top of the receiving pocket.

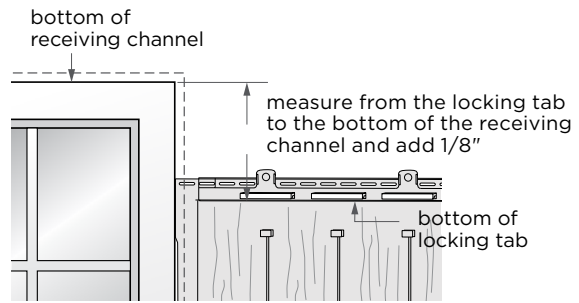


Figure 7

Finishing the Top Course

To finish the top course of siding, attach cornice receiver to the top of the wall under the eave or soffit. Trim the top panel to within 1/4" of the cornice receiver. Using a nail slot punch, punch nail slots 1/4" from the trimmed edge, 16" apart. Nail off the top course and snap the cornice molding into the cornice receiver (figure 9).

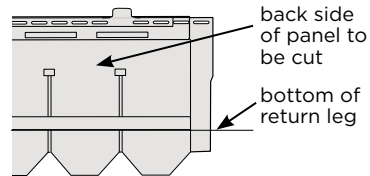
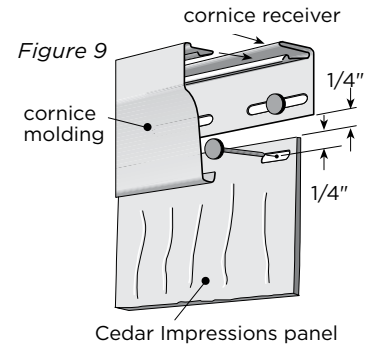


Figure 8



If you have any questions about installing these products, please call us at 800-233-8990.

Estimating:

Refer to CertainTeed Vinyl and Polymer Siding Installation Guide, Section 5.

Transporting & Storage:

Refer to CertainTeed Vinyl and Polymer Siding Installation Guide, Section 4.

Maintenance:

Refer to CertainTeed Vinyl and Polymer Siding Installation Guide, Section 13.



CertainTeed

CEILINGS • DECKING • FENCE • GYPSUM • INSULATION • RAILING • ROOFING • SIDING • TRIM
20 Moores Road, Malvern, PA 19355 Professional: 800-233-8990 Consumer: 800-782-8777 certainteeted.com