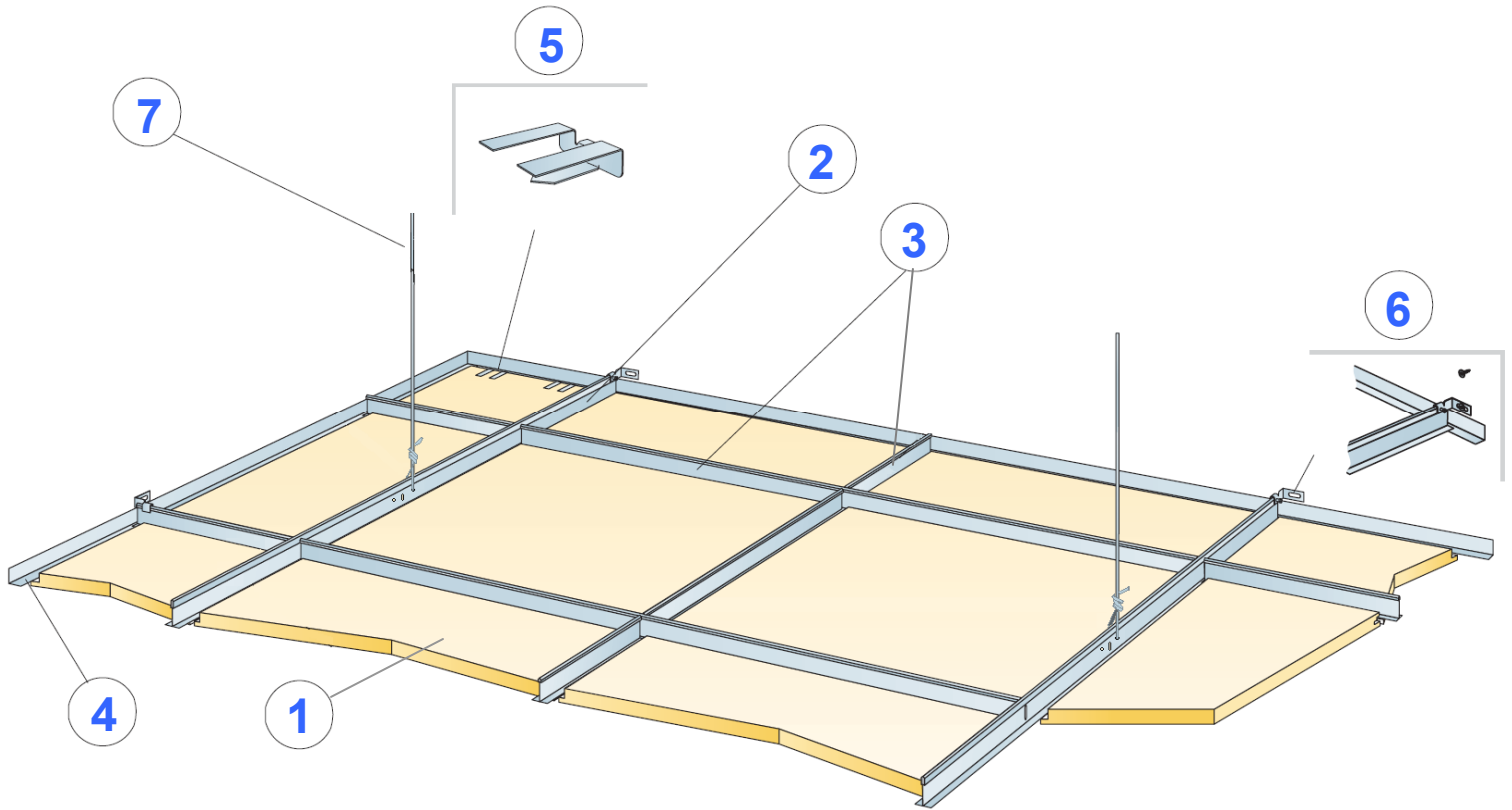
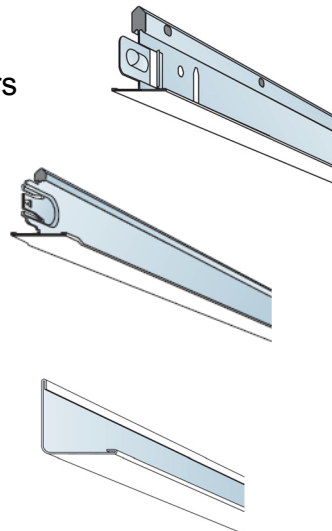


Ecophon® Focus™ Ds 2x2, 2x4, 2x5, 2x6, 2x8 Alternative Installation Instructions
(Using standard 15/16" suspension framing. Suited for seismic categories A, B, C, D, E, F)

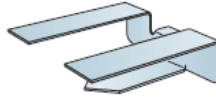


Components:

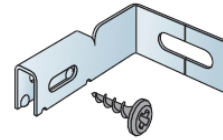
1. Ecophon Focus Ds Panel (2'x2'-8')
2. CertainTeed 15/16" Classic Main Runners
3. CertainTeed 15/16" Classic Cross Tees
4. CertainTeed Ceilings 15/16" Wall Angle



5. Connect DG20 Support Clip 0547

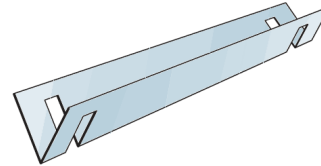


6. ****Optional**** Connect Wall Bracket T-profile 0524
(All required screws by others)



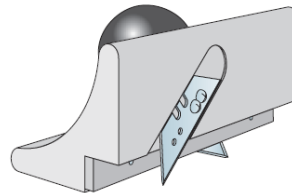
7. 12 Gauge Hanger Wire

8. 2-ft Stabilizer Bar (For 2'x5', 2'x6' and 2'x8')
(Must be compatible with main runner)

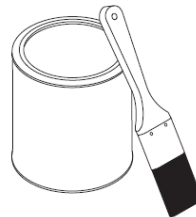


Additional Components:

9. Connect DG Cutting Tool 0991



10. Connect Edge Sealant 0691



It is important to note that grid installation methodology may require alteration dictated by the project's declared seismic category

Refer to ICC ESR 3336 for additional accessories and installation methods that may be required per the project's seismic category

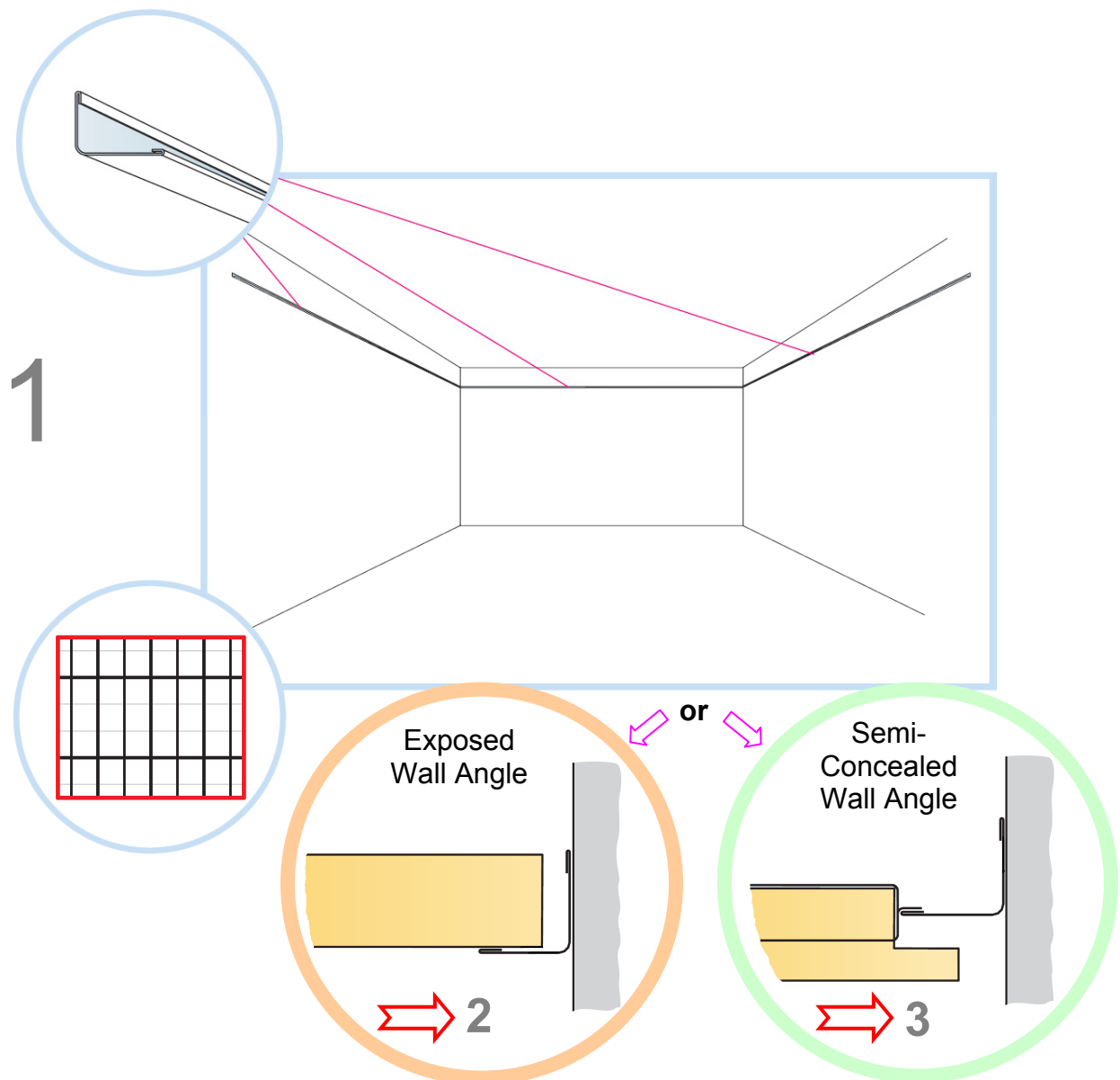
Install in conditions that do not exceed 70% relative humidity and 77-degrees Fahrenheit

Wear clean white cotton gloves when handling Focus Ds panels.

Pre-Installation: Please read *CertainTeed Ceiling's Pre-Installation Instructions* before you begin these installation instructions. Note that the finished surface of *Focus Ds Panels* is 1/2" below the grid. **Focus Ds is an extremely precise system and the tolerance is near zero. The grid system must be square and level.**

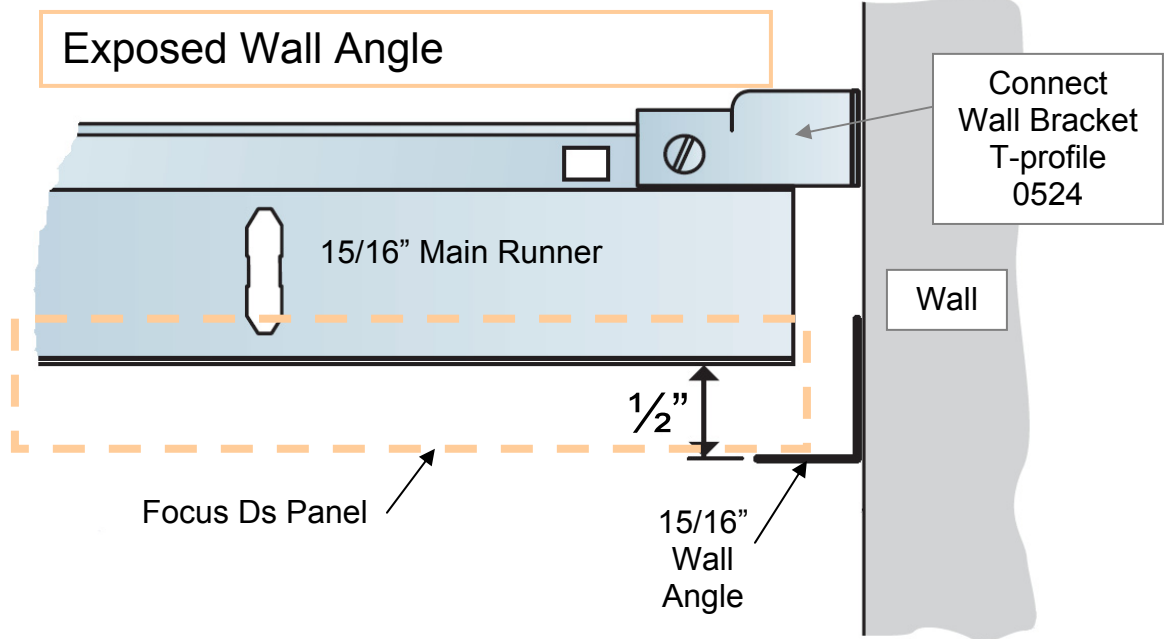
1. Installing Wall Angle

- a. To install Wall Angle choose a height at least 3" below joists, existing ceilings, ducts, pipes, or wiring, to ensure clearance and maneuverability required to install the panels (integration with diffusers and light fixtures may dictate a greater depth of system).
- b. Mark the desired height for the finished surface of the ceiling on all four walls (see Steps 2-3).
- c. Attach Wall Angle using appropriate fasteners.

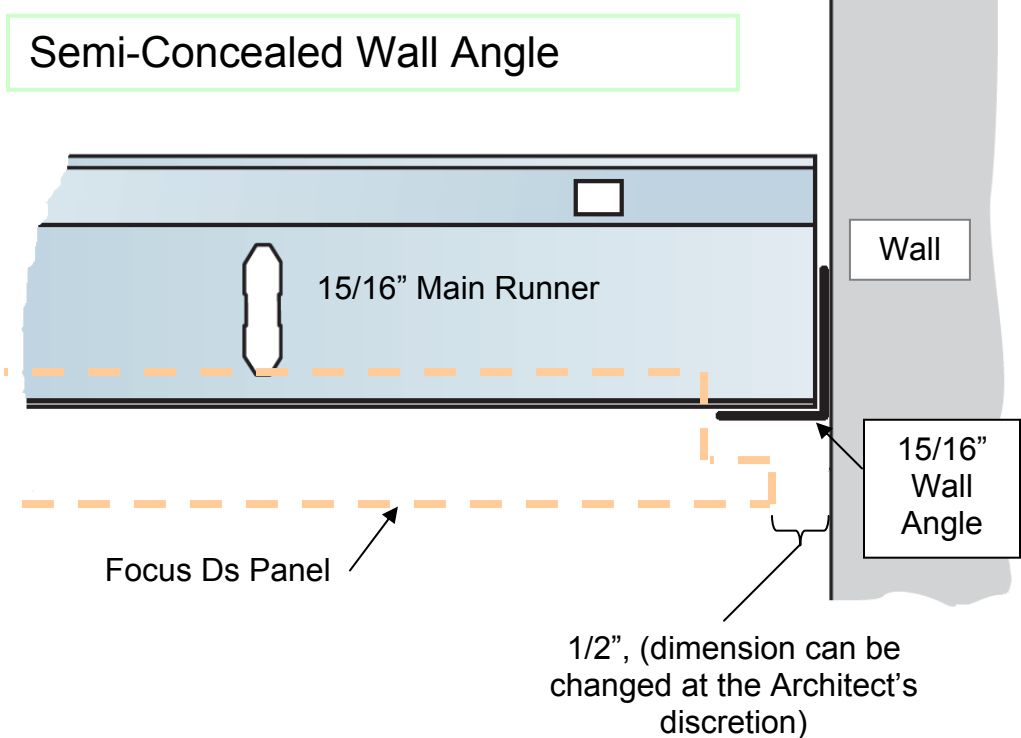


Perimeter Options

2

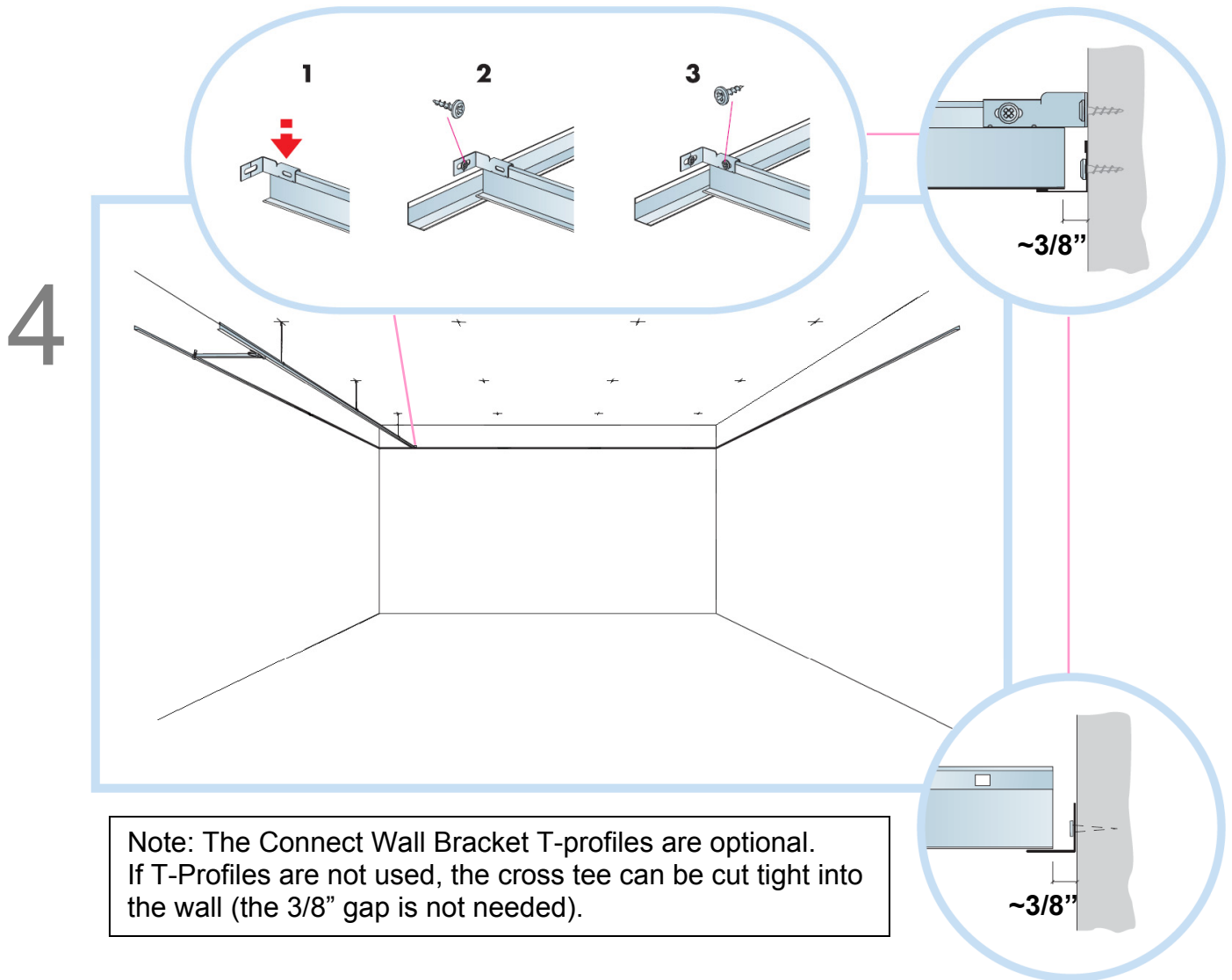


3



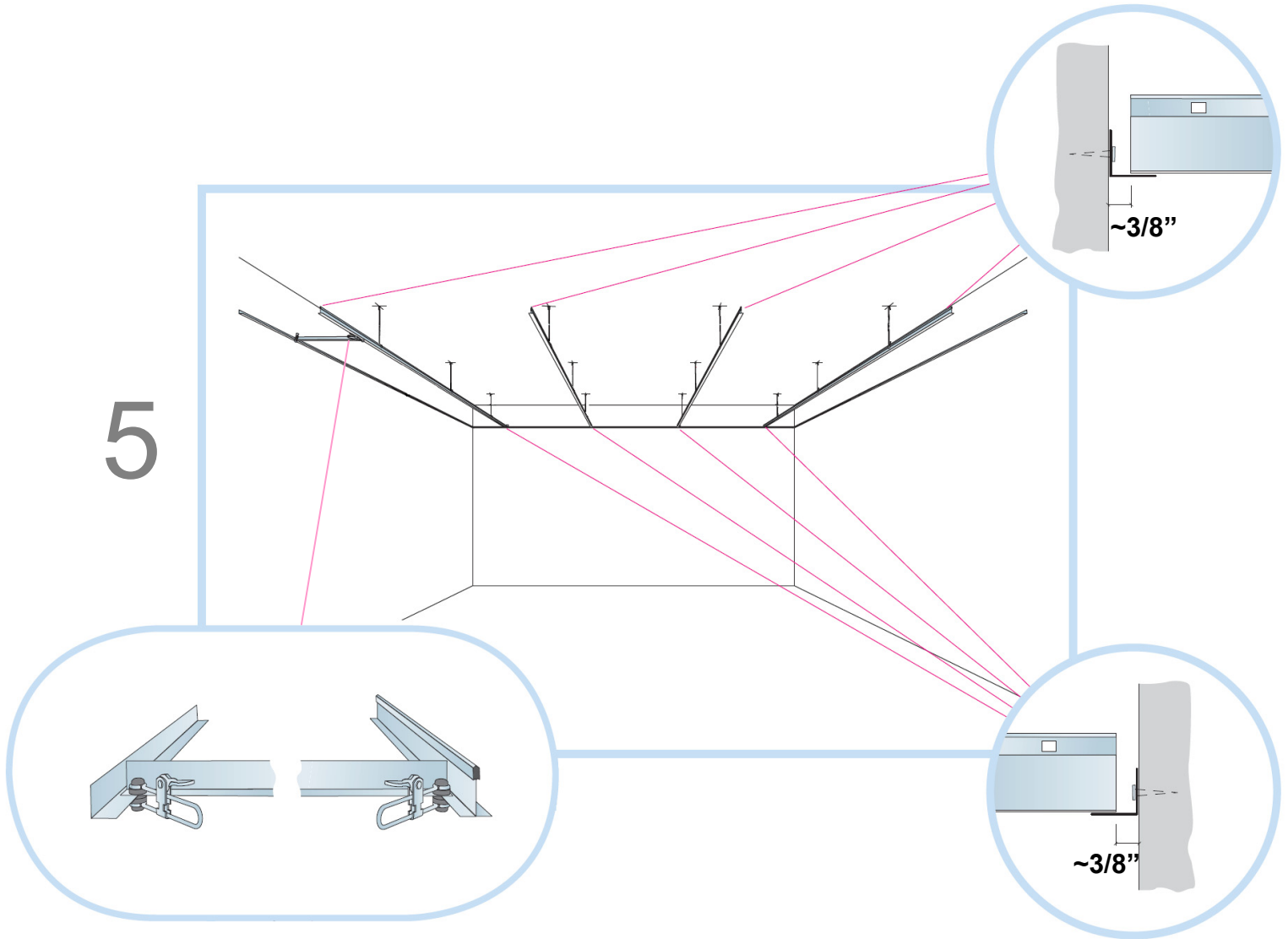
4. Install Hangers

- a. Mark lines for each of the main runners (4' on center for 2x2' & 2'x4' panels, 2' on center for 2x5", 2'x6', & 2'x8').
- b. Pull a string line along the path that the first main runner will take. Attach the line directly below the wall molding.
- c. Hangers are placed every 48" along the main runners, at a max of 24" from the walls.



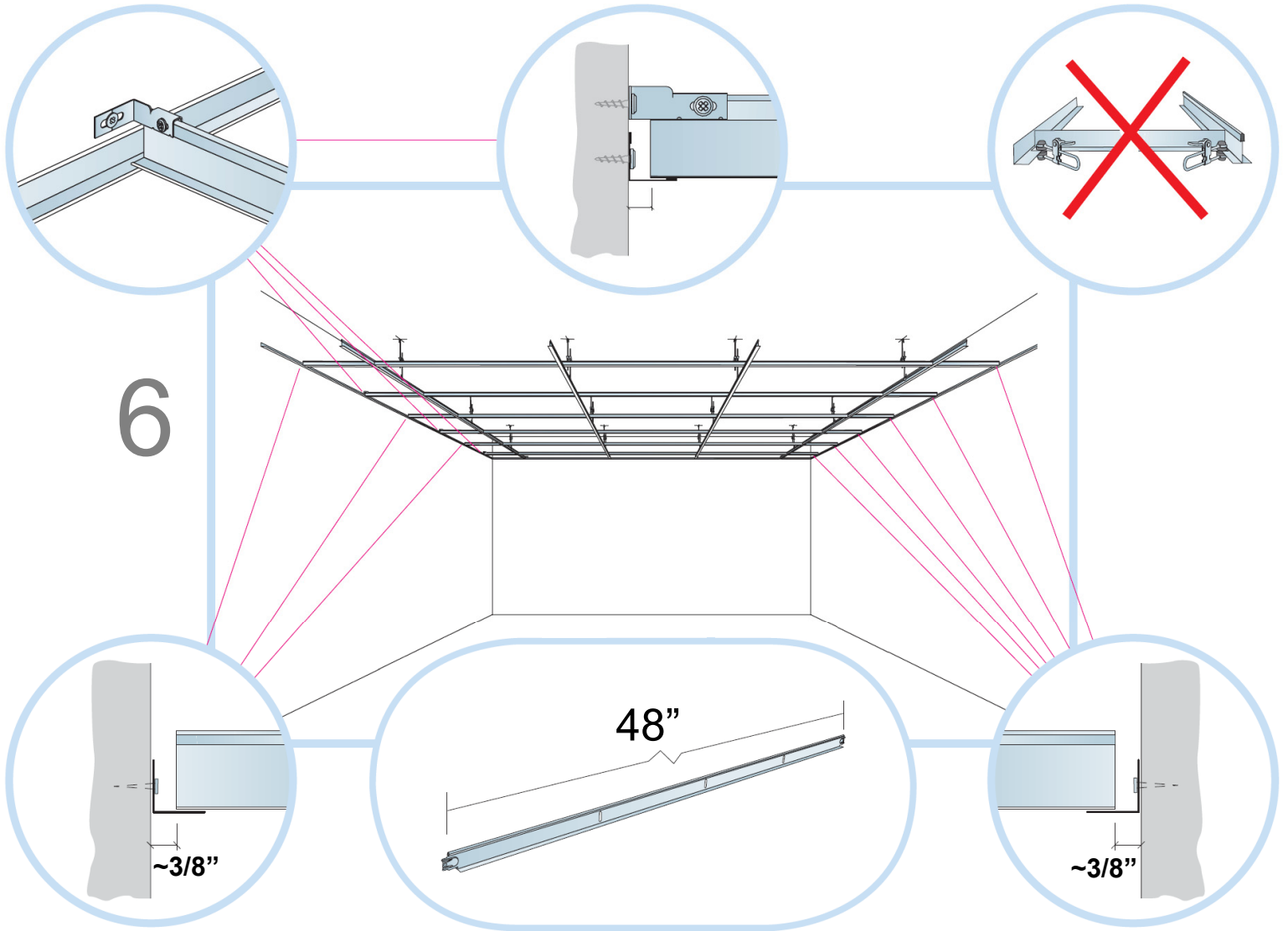
5. Install the main runners

- a. Install the first section of main runner, with cut edge sitting on the wall molding.
- b. Attach the main runner to wire.
- c. Repeat for the next sections of main runner.



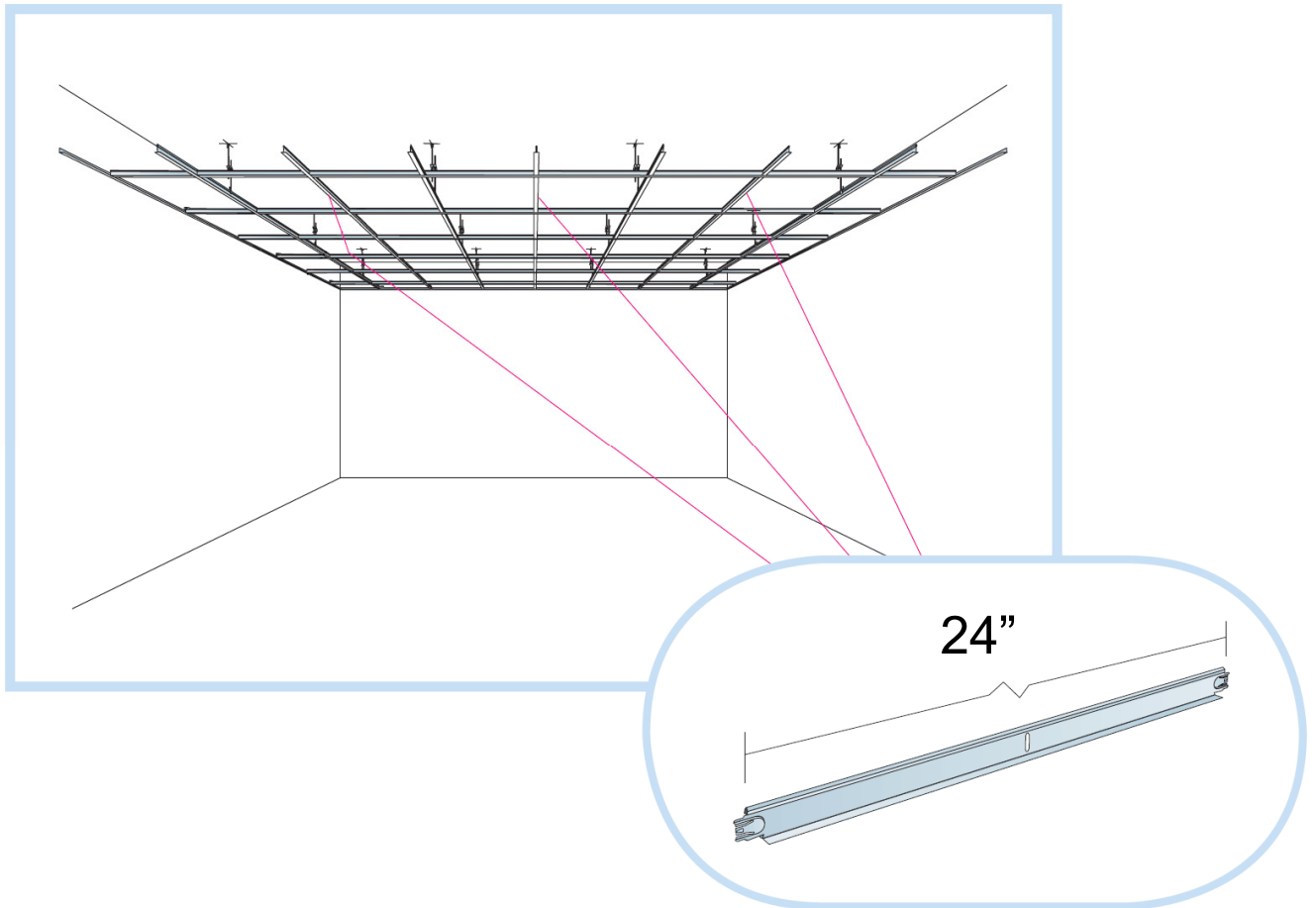
6. Install Cross Tees and Border Tees

- a. Cut in border cross tees. Use a string line to make sure the main runners are straight.
- b. Install cross tees as needed.



7. Install remaining cross tees
 - a. Install remaining cross tees.
 - b. **Check to see if the suspension system is square. Make adjustments as needed.**
 - c. **For 2'x5' or 2'x6' Ecophon Focus Ds panels, install 2-ft Stabilizer Bars at the mid-point of each module. For 2'x8' modules, install 2-ft Stabilizer Bars at approx. 32" and 64".**

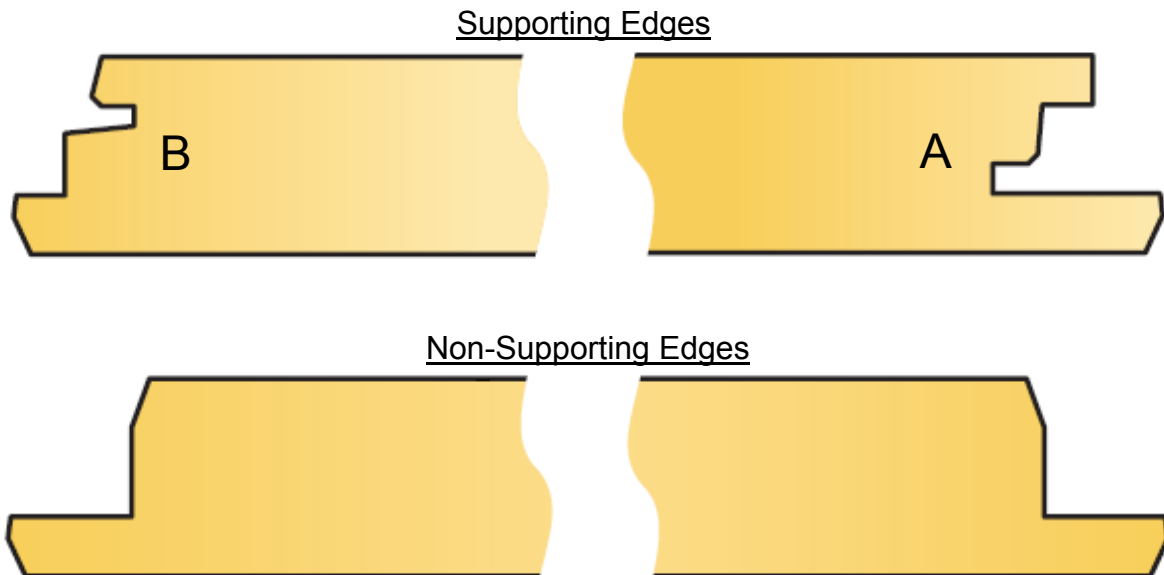
7



8. Install Field Panels

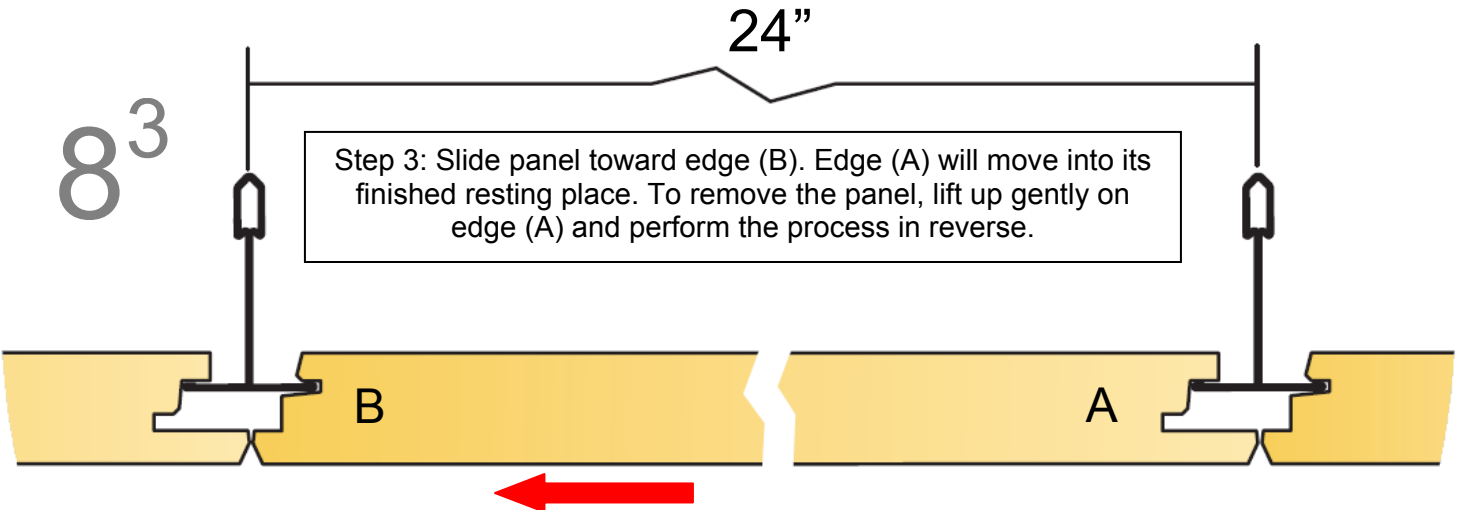
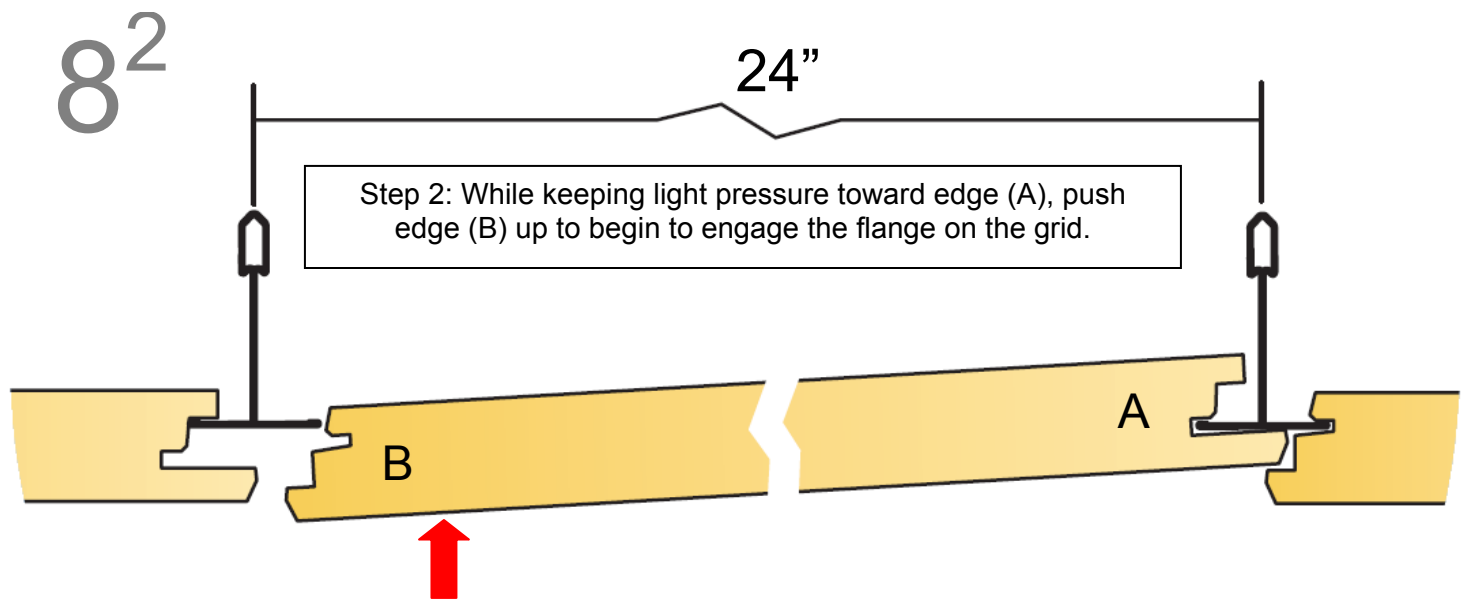
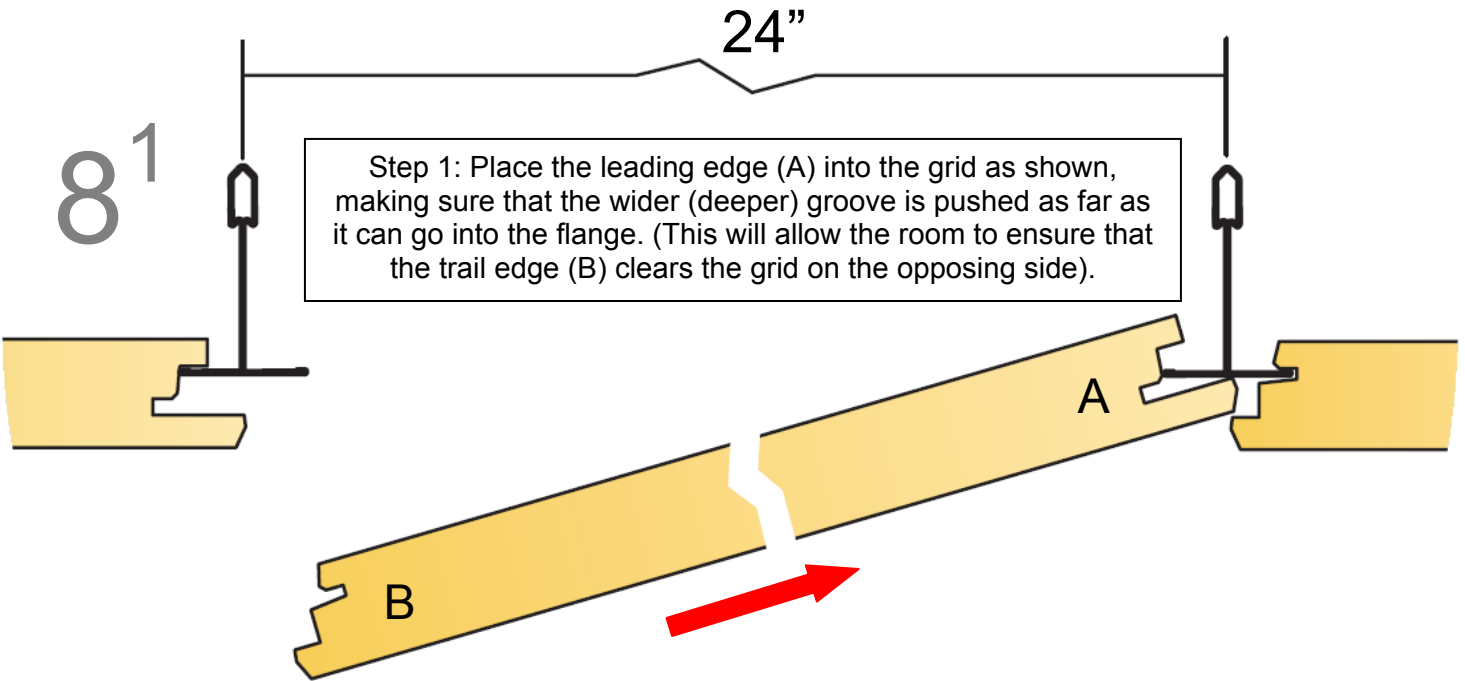
(Note: 2'x6' and 2'x8' panels require two people to install each panel).

Before you begin installing the panels, you must understand that Focus Ds panels have 2 supporting edges and 2 non-supporting edges. As illustrated below:



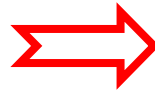
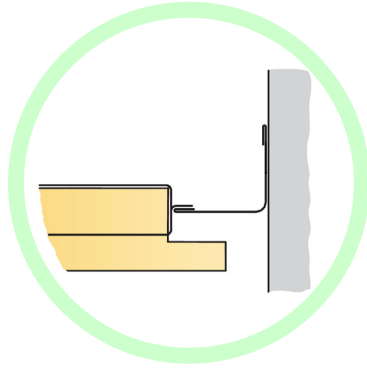
*Please note that the long sides of the panels are **always** the supporting sides.*

- a. **Wear white cotton gloves, so that the dirt and oil from your hands, does not get on the panels. (If gloves become soiled, replace them immediately).**
- b. Start installing panels in the middle of the field.
- c. To install Focus Ds Panels, Follow Step 8¹, 8², & 8³.



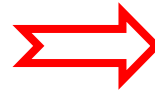
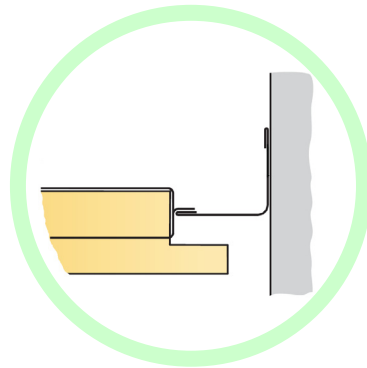
Install Border Panels

To understand installing border panels/edge treatment, consult the appropriate directions below.



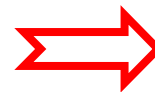
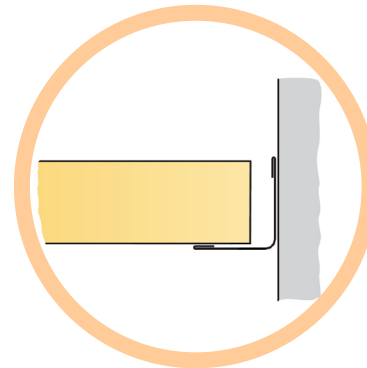
Step 9

Focus Ds 2x2



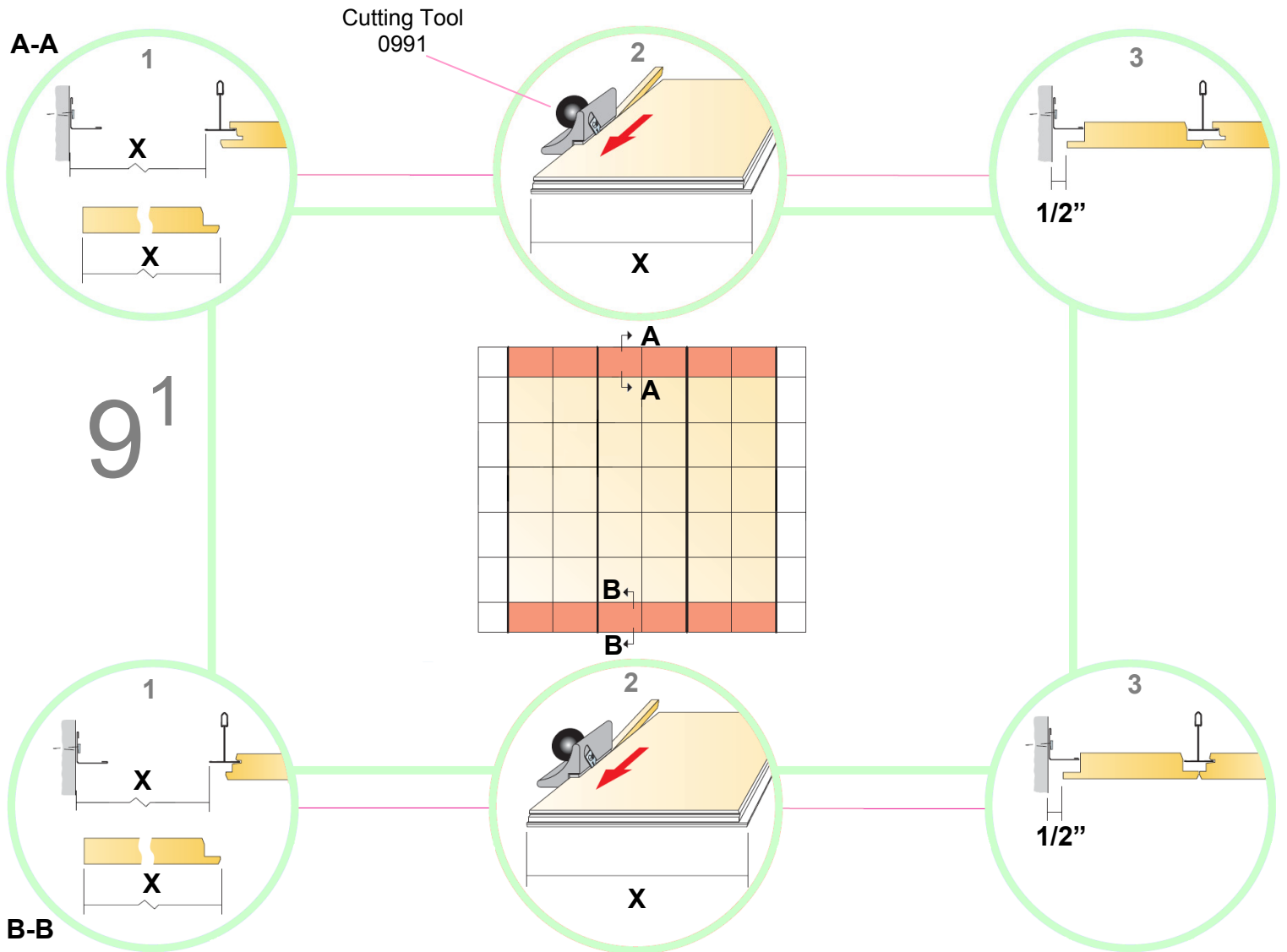
Step 10

Focus Ds 2x4-8



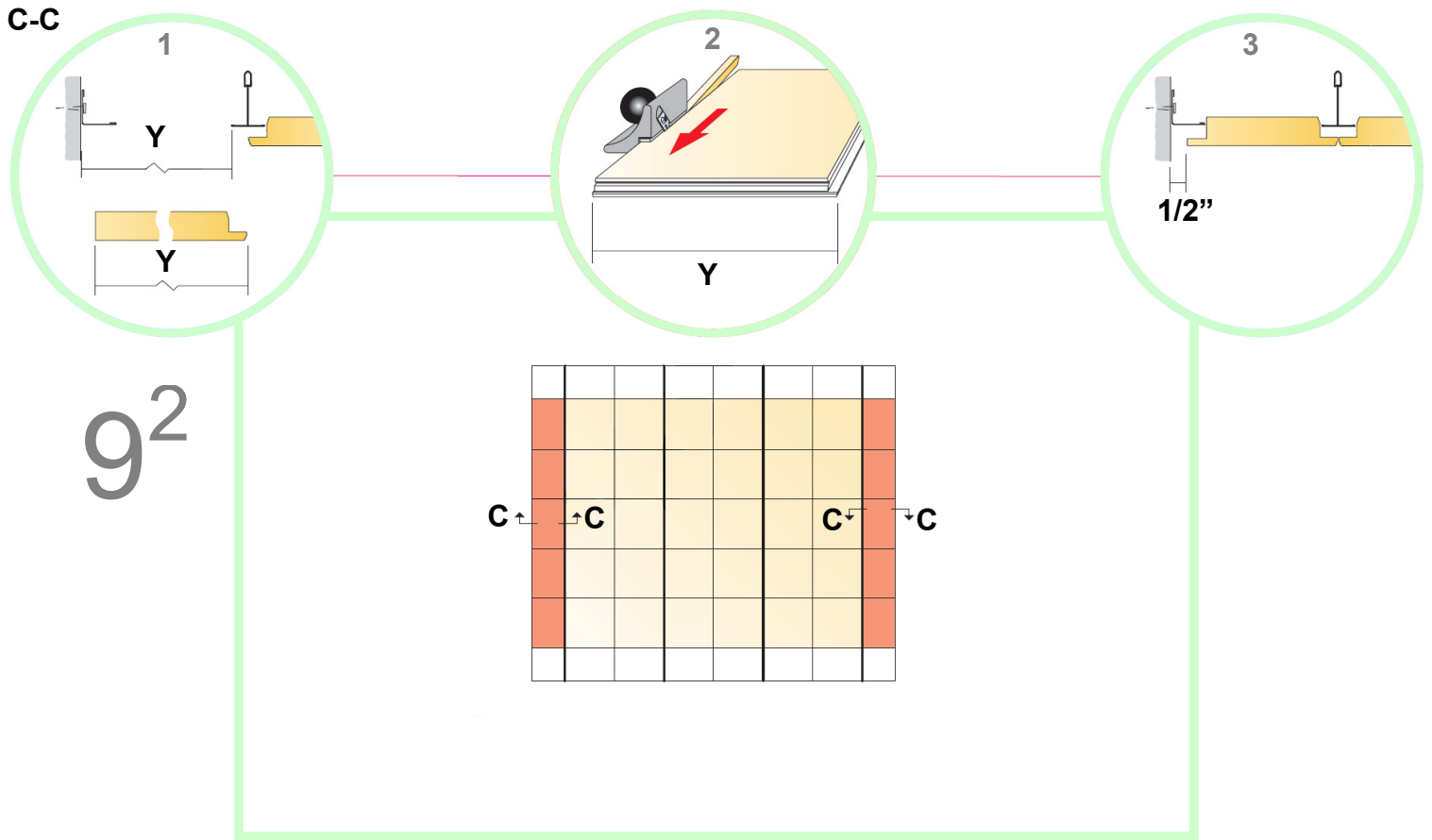
Step 11

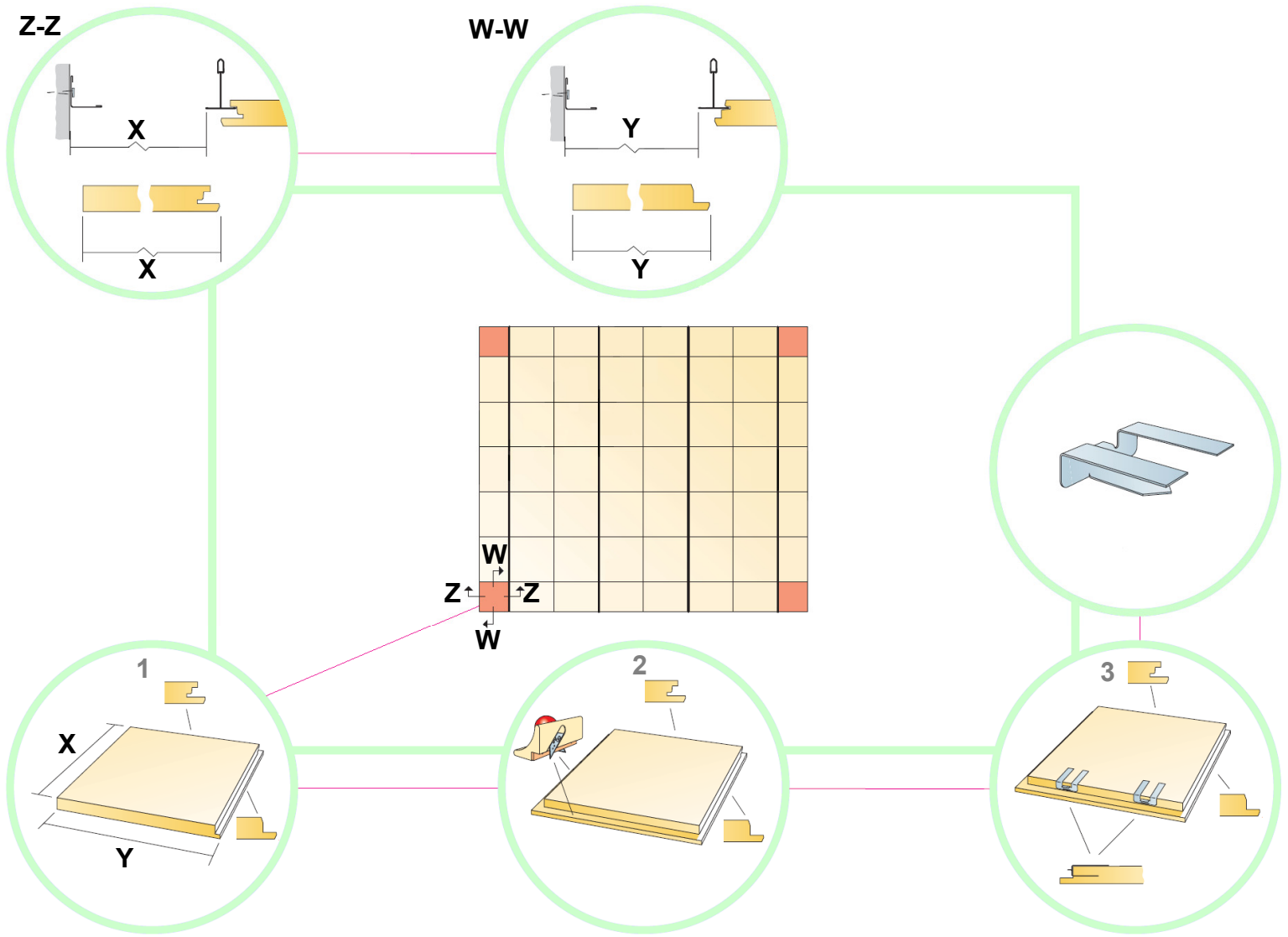
Focus Ds 2x2-8

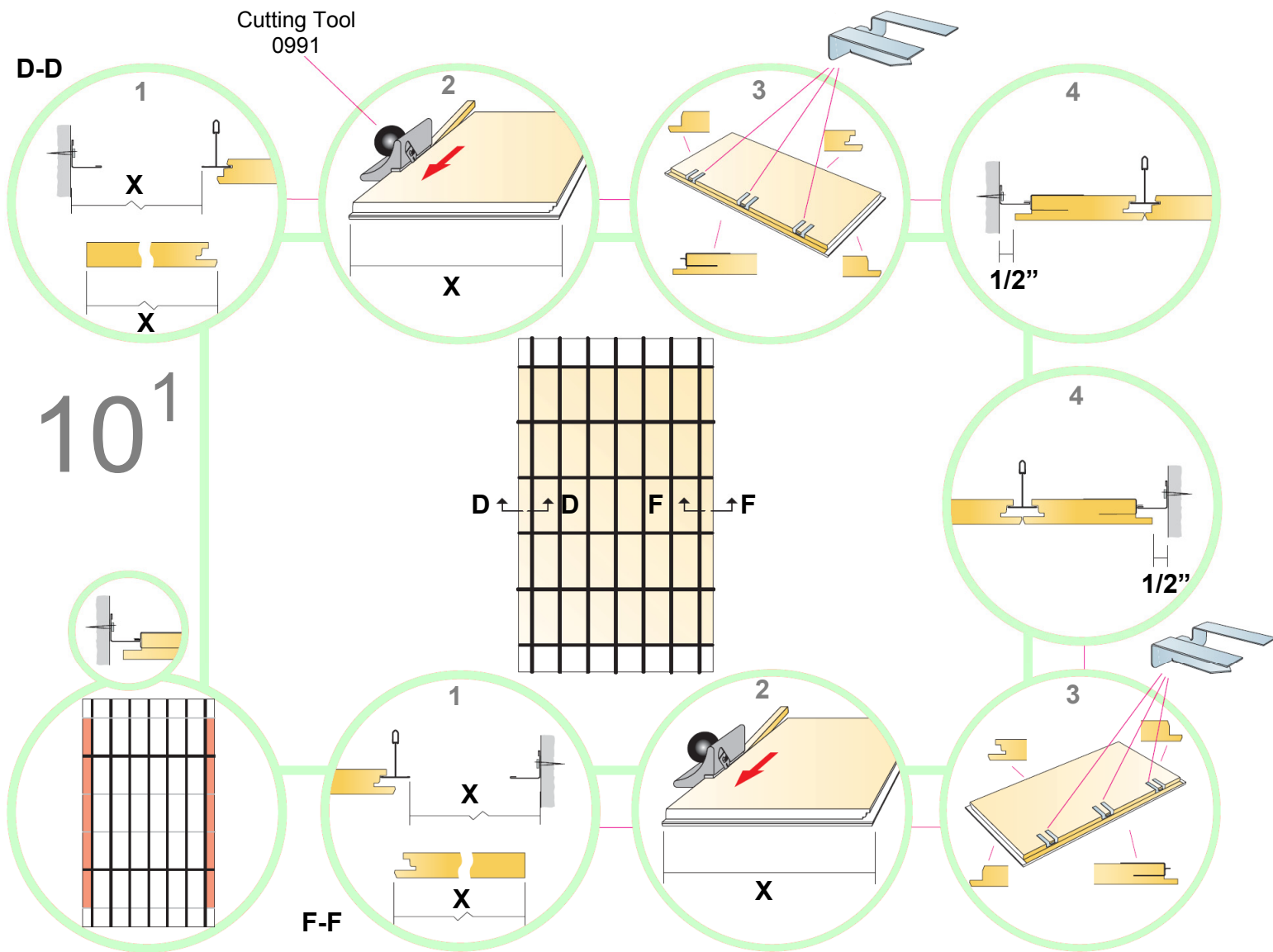


Notes:

- a. The Focus Ds System is designed so that 1/2" of the wall molding is visible from below. The dimension of molding exposed is at the Architect's discretion. If the Architect does not specify the distance, these directions will result in a 1/2" gap around the border.
- b. For more accurate cut edges, measure at least twice at each end of the panel, so the cut edge follows the contour of the wall.
- c. Straight cuts should be made using a razor knife and a straight edge.
- d. The Connect DG Cutting Tool 0991 is designed to cut a 9/16" by 9/16" rabbet. The shim attached to the tool should remain for cuts in 3/4" panels.
- e. Connect DG20 Support Clip 0547 should be spaced every 12"-18".
- f. Connect Edge Sealant 0691 is used as required. Avoid applying edge sealant to the surface of the panel.

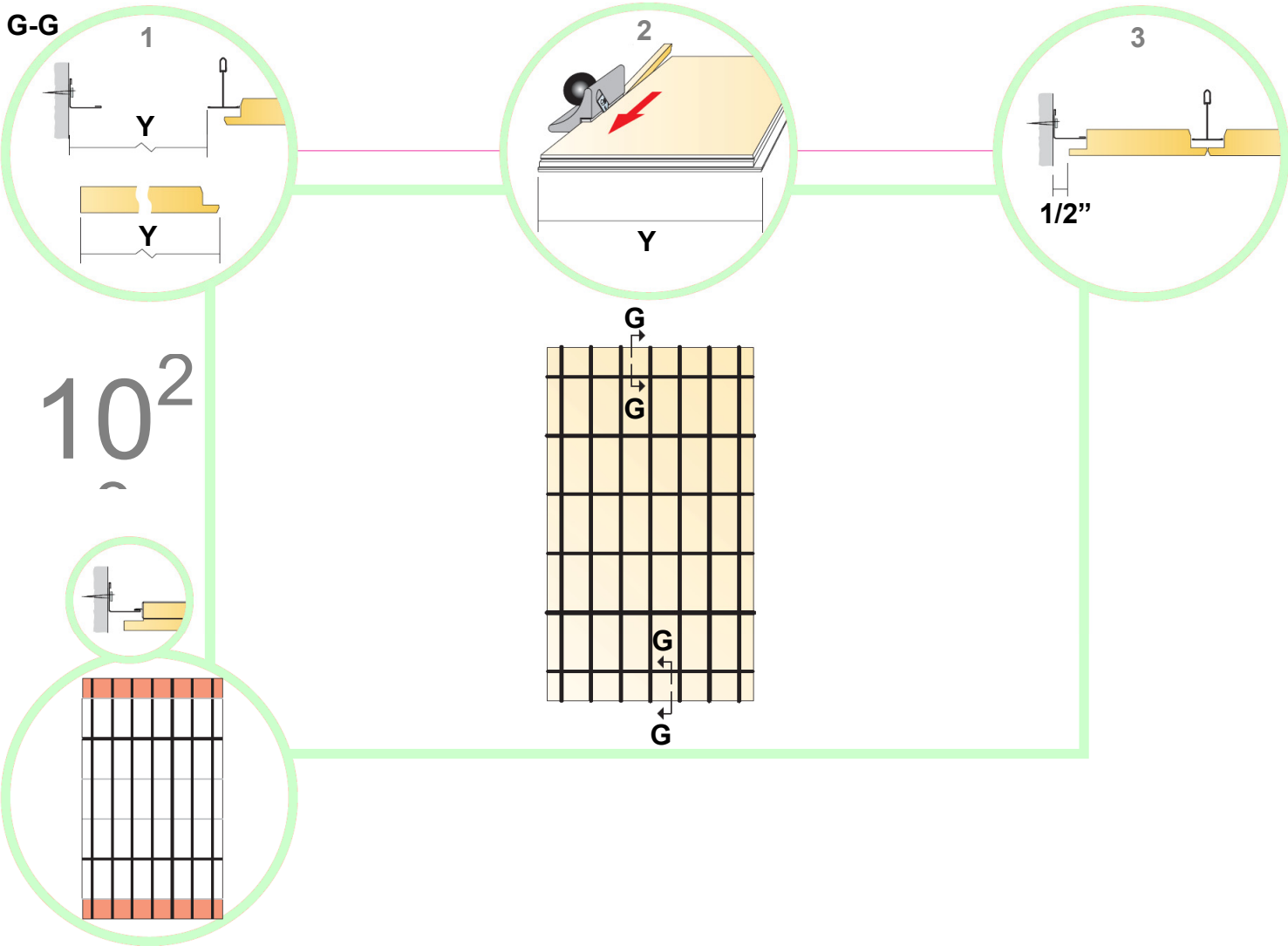


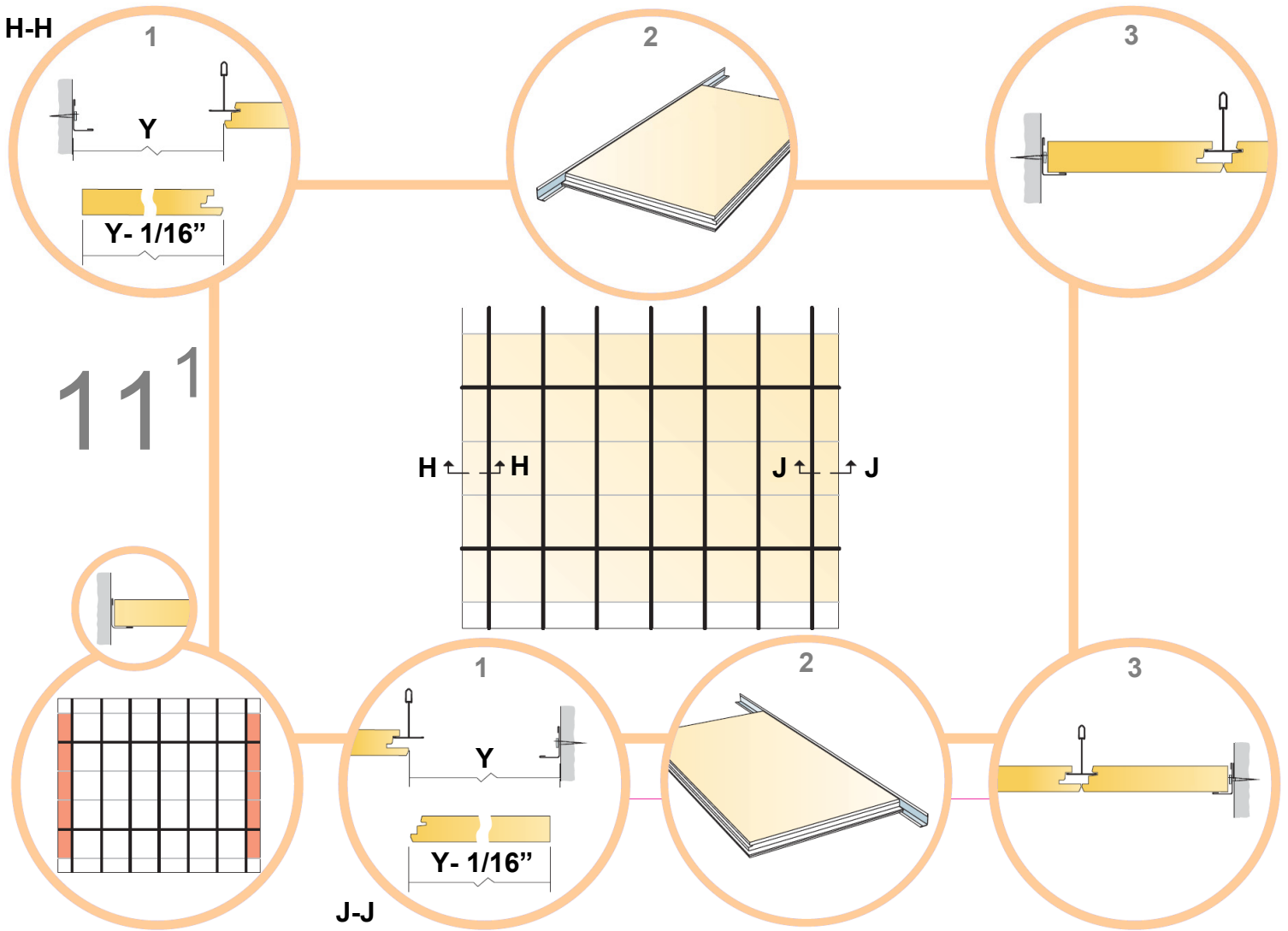




Notes:

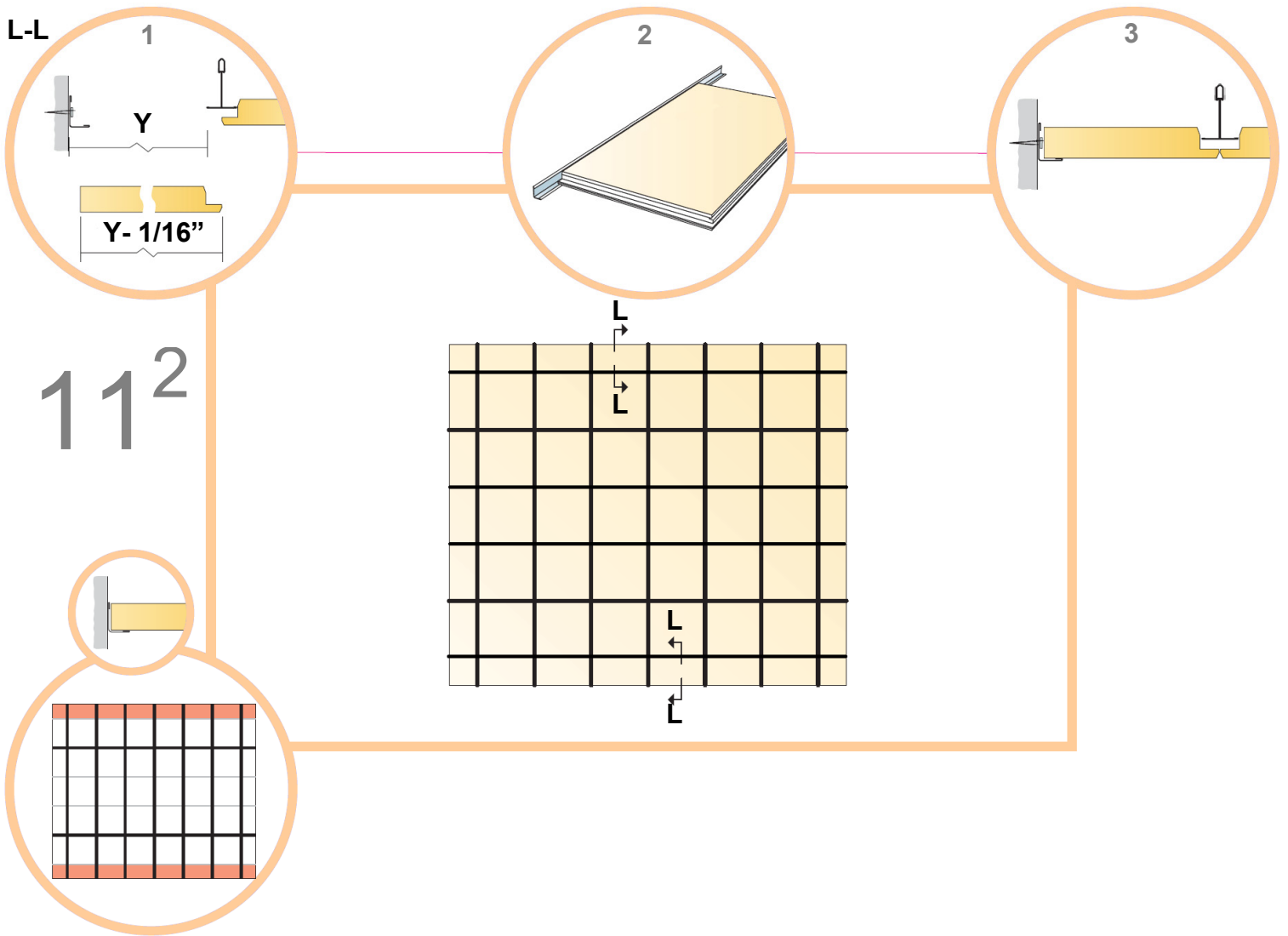
- a. The Focus Ds System is designed so that 1/2" of the wall molding is visible from below. The dimension of molding exposed is at the Architect's discretion. If the Architect does not specify the distance, these directions will result in a 1/2" gap around the border.
- b. For more accurate cut edges, measure at least twice at each end of the panel, so the cut edge follows the contour of the wall.
- c. Straight cuts should be made using a razor knife and a straight edge.
- d. The Connect DG Cutting Tool 0991 is designed to cut a 9/16" by 9/16" rabbet. The shim attached to the tool should remain for cuts in 3/4" panels.
- e. Connect DG20 Support Clip 0547 should be spaced every 12"-18".
- f. Connect Edge Sealant 0691 is used as needed. Avoid applying edge sealant to the surface of the panel.





Notes:

- a. Spring Clips (by others) can be used between the cut edge of the panel and the wall instead of cutting the panels tight against the wall.
- b. Straight cuts should be made using a razor knife and a straight edge.



11²

FOR PRODUCT AND INSTALLATION QUESTIONS:

- Call 1-800-233-8990 (Monday-Thursday: 7:30 am-6:30 pm; Friday: 7:30 am-6:00 pm EST); English, Spanish and French speakers available. Or email ceilingtechnicalservices@certainteed.com.

ASK ABOUT ALL OF OUR OTHER CERTAINTEED® PRODUCTS AND SYSTEMS:

ROOFING • SIDING • TRIM • DECKING • RAILING • FENCE
 GYPSUM • CEILINGS • INSULATION

www.certainteed.com/ceilings

CertainTeed Corporation
 20 Moores Road
 Malvern, PA 19355

Professional: 800-233-8990
 Customer: 800-782-8777

© 1/13 CertainTeed Corporation
 Code No. CTC-02-112