

# Ecophon® Focus™ Ds 2x2-2x8

Suited for seismic categories  
A, B, C, D, E, F

## PREFERRED INSTALLATION MANUAL

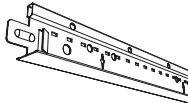
### Read the entire manual before installing.

It is important to note that grid installation methodology may require alteration dictated by the project's declared seismic category.

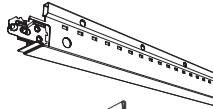
Refer to ICC-ES ESR-3336 for additional accessories and installation methods that may be required per the project's seismic category.

- Ecophon Focus Ds Panel (2'x2' - 2'x8')

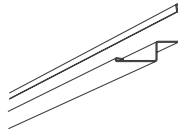
- CTA 15/16" EZ Stab Classic Main Runner/HD (EZCS12-12-20)



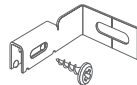
- CTA 15/16" EZ Stab Classic Cross Tees (where needed)



- CTA Reveal Molding (SM 1050 or SM 1000)

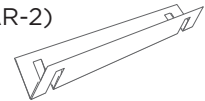


- \*Optional\* Connect Wall Bracket T-profile 2630 0824 (not for seismic C-F)

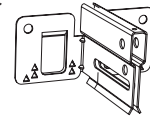


- 12 Gauge Hanger Wire

- CTA 2-ft Stabilizer Bar (STBAR-2) for 2x5, 2x6 & 2x8 modules



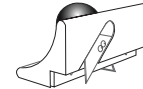
- \*Optional\* Seismic Perimeter Clip CTSPC-2 (required for seismic C-F per ICC-ES ESR-3336)



### **Additional Components:**

(for field fabricated panels) :

- Connect DG Cutting Tool 2630 0991



- Connect Edge Sealant 2630 0691



# Installation for Ecophon® Focus™ Ds for 2x2, 2x4, 2x5, 2x6, & 2x8 Seismic Panels

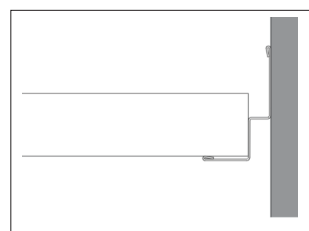
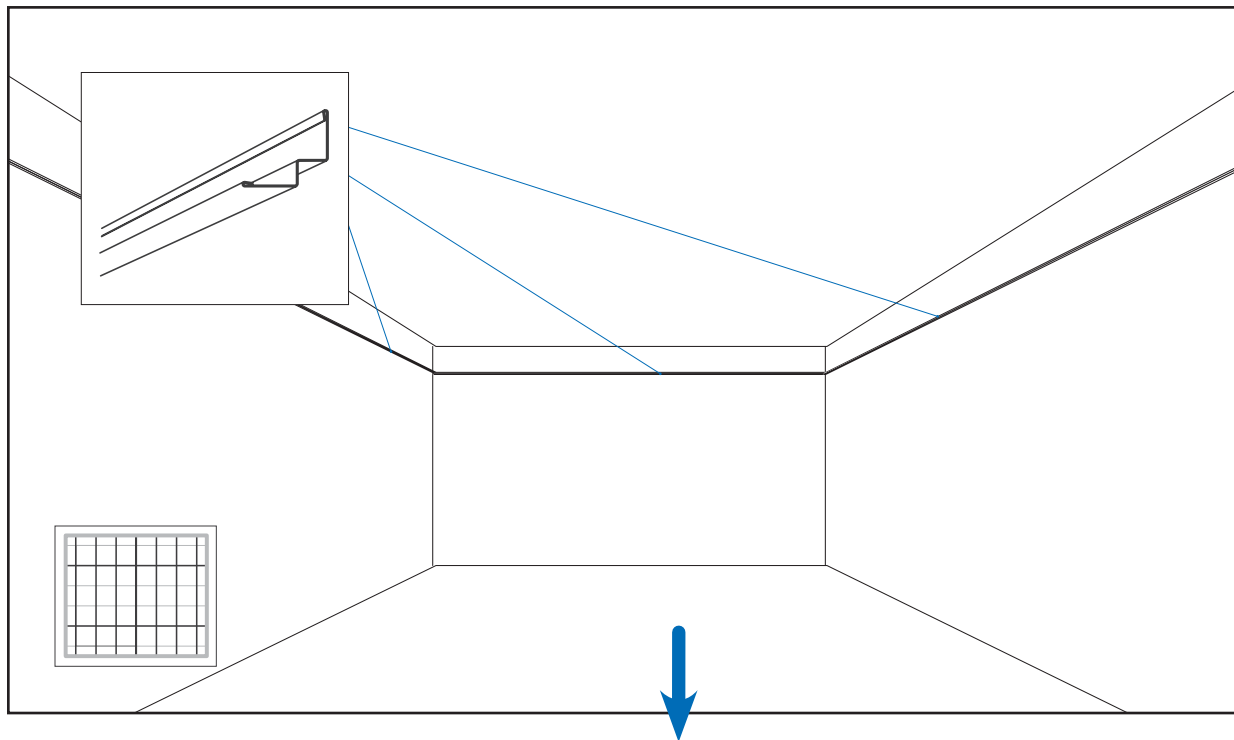
Install in conditions that do not exceed 95% relative humidity and 86-degrees F

**Pre-Installation:** Please read CertainTeed ceiling's Pre-Installation Instructions before you begin this installation and wear clean white gloves when installing the product. Note that the finished surface of Focus Ds Panels is 1/2" below the grid. *Focus Ds is an extremely precise system and the tolerance is near zero. The grid system must be square and level.*

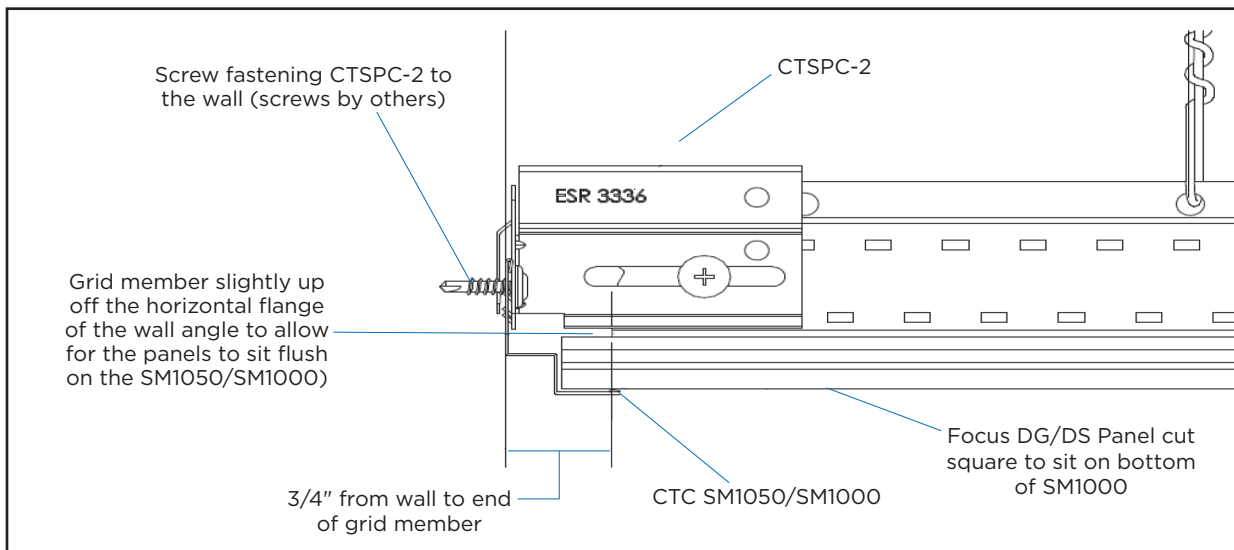
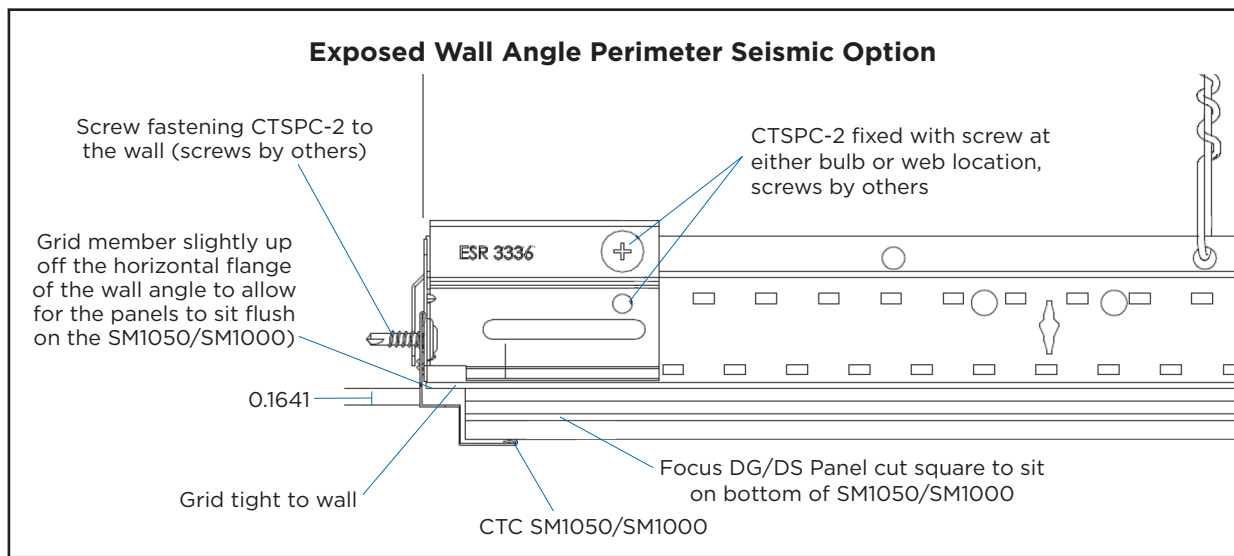
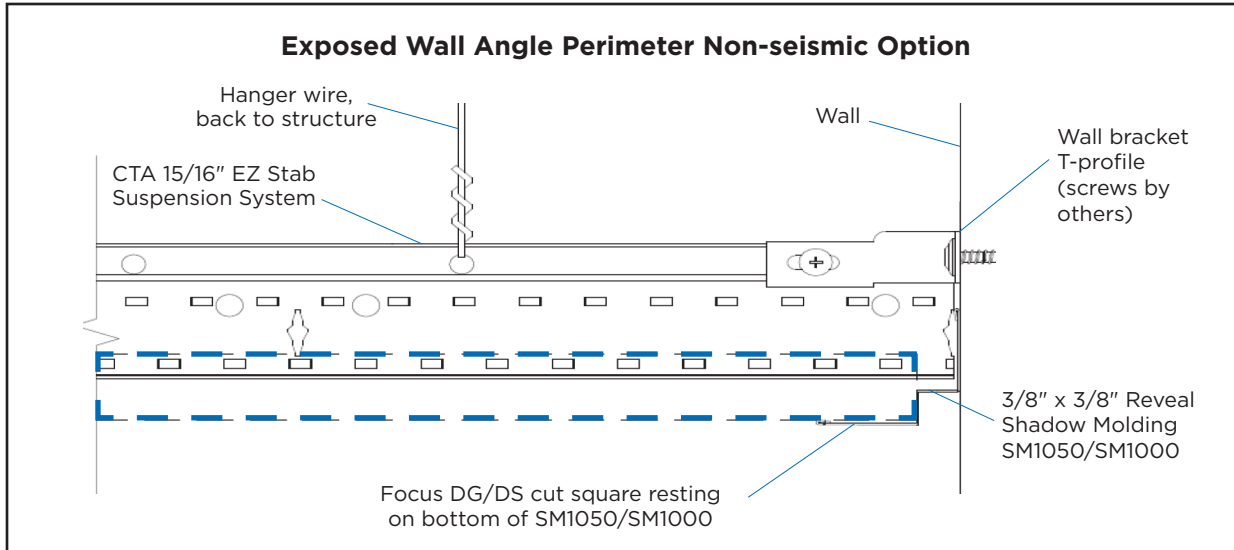
## Installing Wall Angle

- To install Wall Angle choose a height at least 3" below joists, existing ceilings, ducts, pipes, or wiring, to ensure clearance and maneuverability required to install the panels (integration with diffusers and light fixtures may dictate a greater depth of system).
- Mark the desired height for the finished surface of the ceiling on all four walls (see Steps 2-3).
- Attach Wall Angle using appropriate fasteners.

## Perimeter Detail



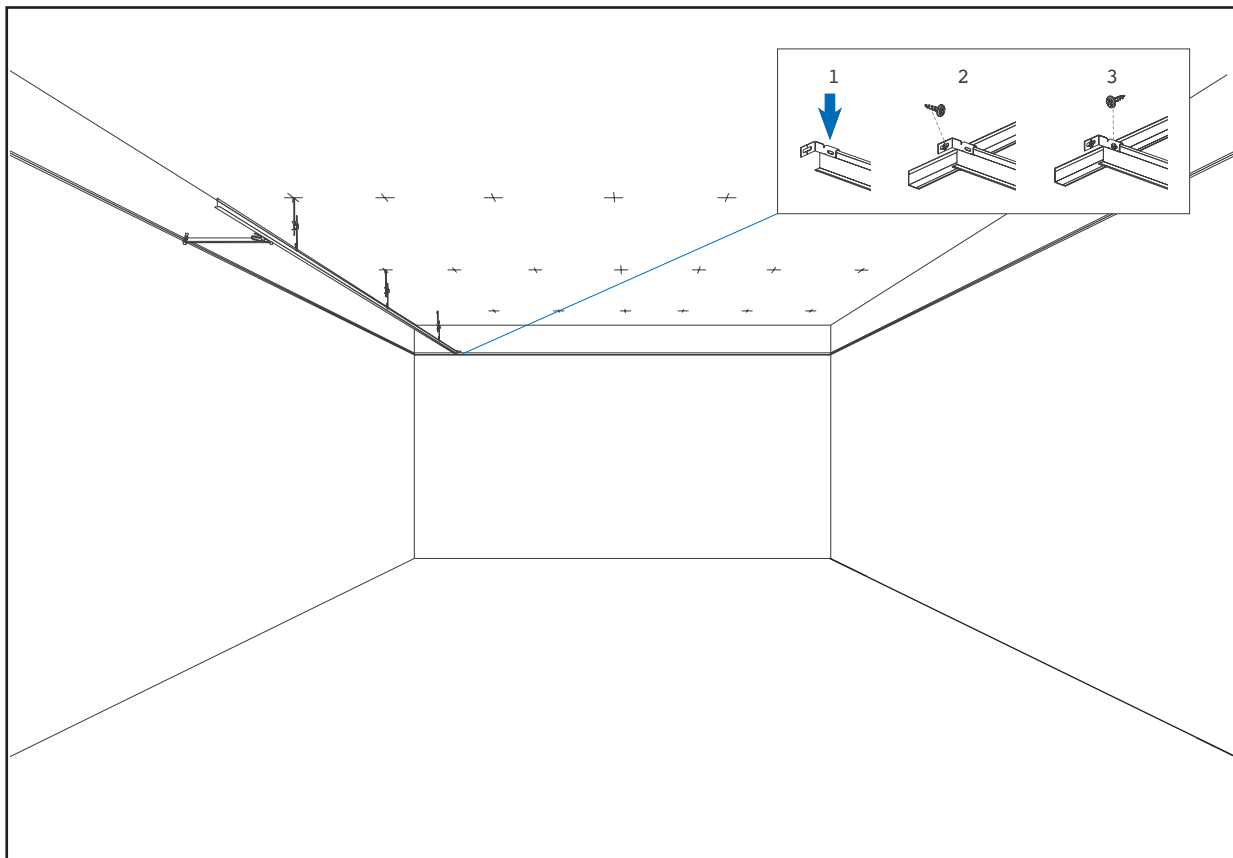
Exposed Wall Angle



# Installation for Ecophon® Focus™ Ds for 2x2, 2x4, 2x5, 2x6, & 2x8 Seismic Panels

## Installing Hangers

- Mark lines for each of the main runners  
(4' on center for 2'x2' & 2'x4' panels, 2' on center for 2x5', 2'x6', & 2'x8').
- Pull a string line along the path that the first main runner will take.  
Attach the line directly below the wall molding.
- Hangers are placed every 48" along the main runners, at a max of 24" from the walls.



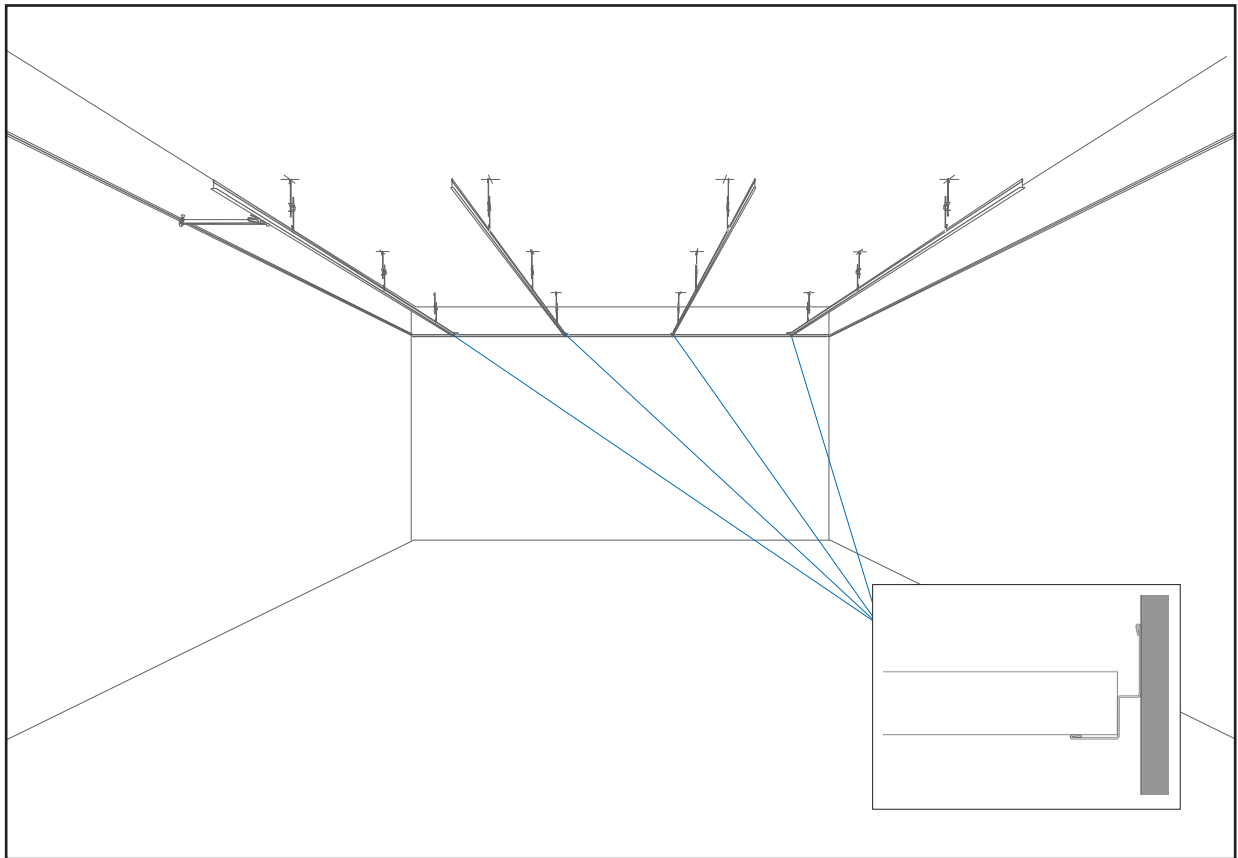
## Notes:

The Connect Wall Bracket T-profiles are optional and are not suitable for use in seismic category C, D, E, F installations.

Spacing between end of grid component and wall will also be dependent on seismic design category, as it may be necessary to have grid component closer or further away from the wall. Please consult ICC ESR-3336 for guidance on placement of grid components at the wall when installing to seismic requirements.

## Install the main runners

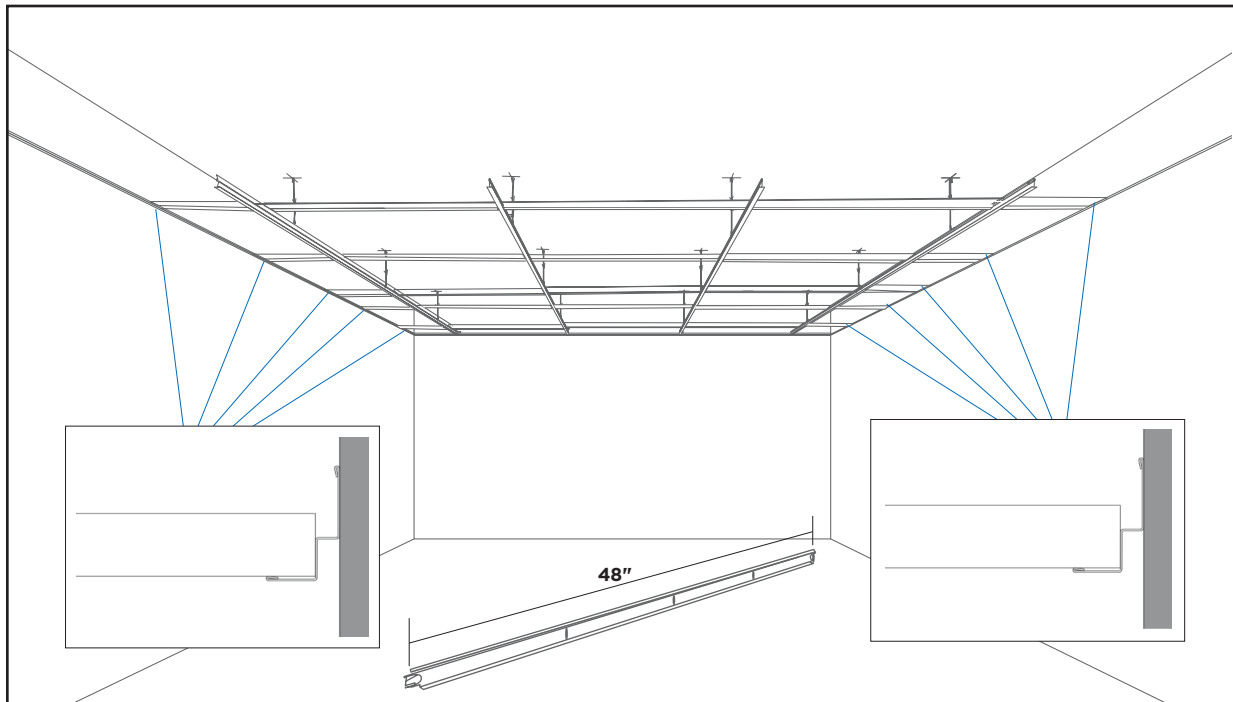
- Install the first section of main runner, with cut edge sitting on the wall molding.
- Attach the main runner to wire.
- Repeat for the next sections of main runner.



# Installation for Ecophon® Focus™ Ds for 2x2, 2x4, 2x5, 2x6, & 2x8 Seismic Panels

## Install Cross Tees and Border Tees

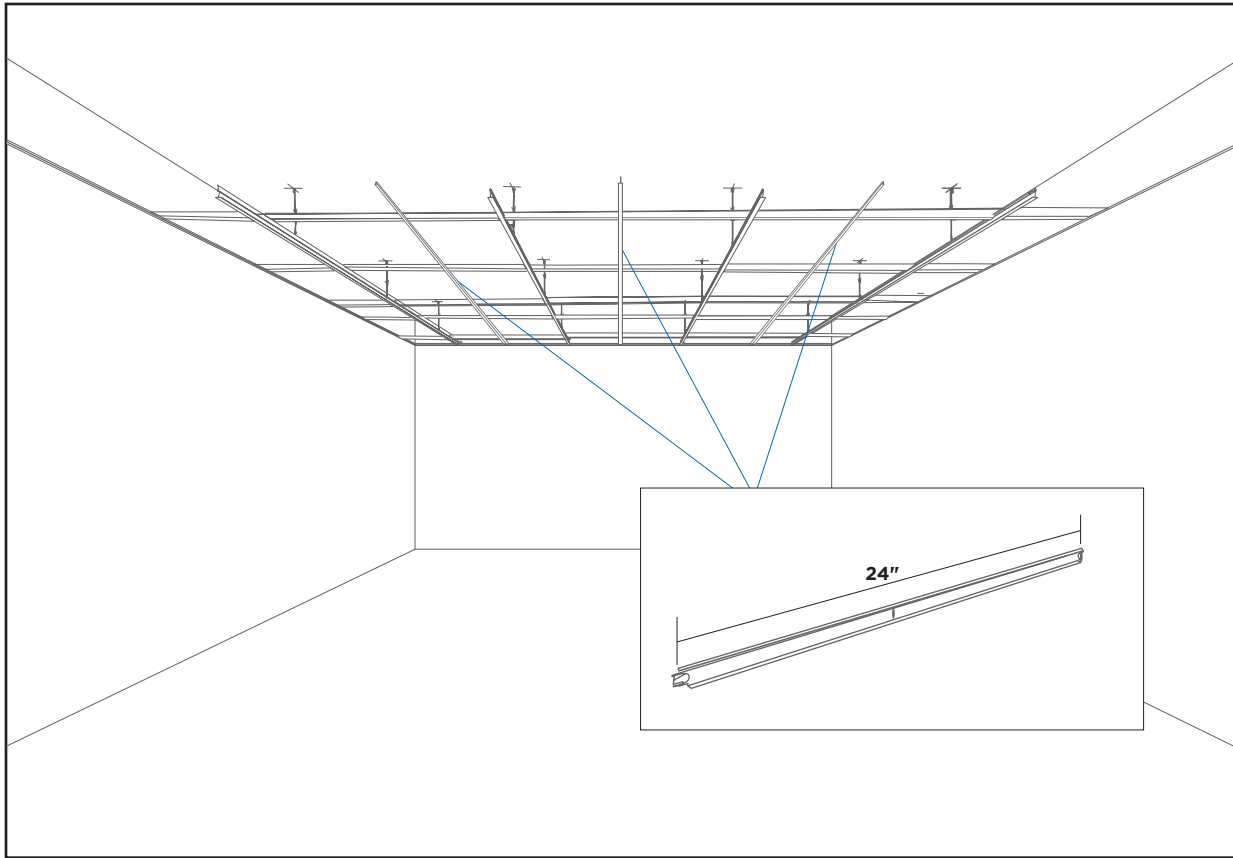
- a. Cut in border cross tees. Use a string line to make sure the main runners are straight.
- b. Install cross tees as needed.



# Installation for Ecophon® Focus™ Ds for 2x2, 2x4, 2x5, 2x6, & 2x8 Seismic Panels

## Install remaining cross tees

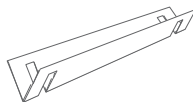
- a. Install remaining cross tees.
- b. Check to see if the suspension system is square. Make adjustments as needed.



## IMPORTANT

For 2'x5' or 2'x6' Ecophon Focus Ds panels, install 2-ft Stabilizer Bars (STBAR-2) at the mid-point of each module.

For 2'x8' modules, install 2-ft Stabilizer Bars at approx. 32" and 64".

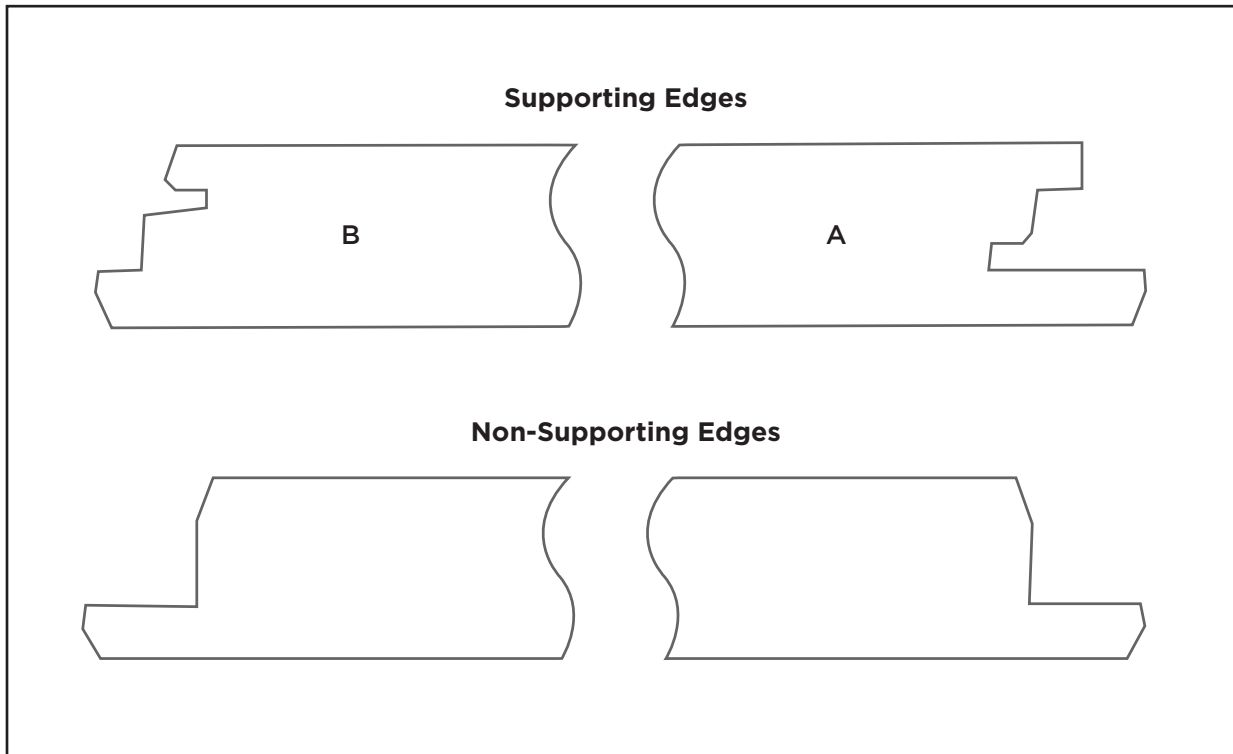


# Installation for Ecophon® Focus™ Ds for 2x2, 2x4, 2x5, 2x6, & 2x8 Seismic Panels

## Install Field Panels

(Note: 2'x6' and 2'x8' panels require two people to install each panel).

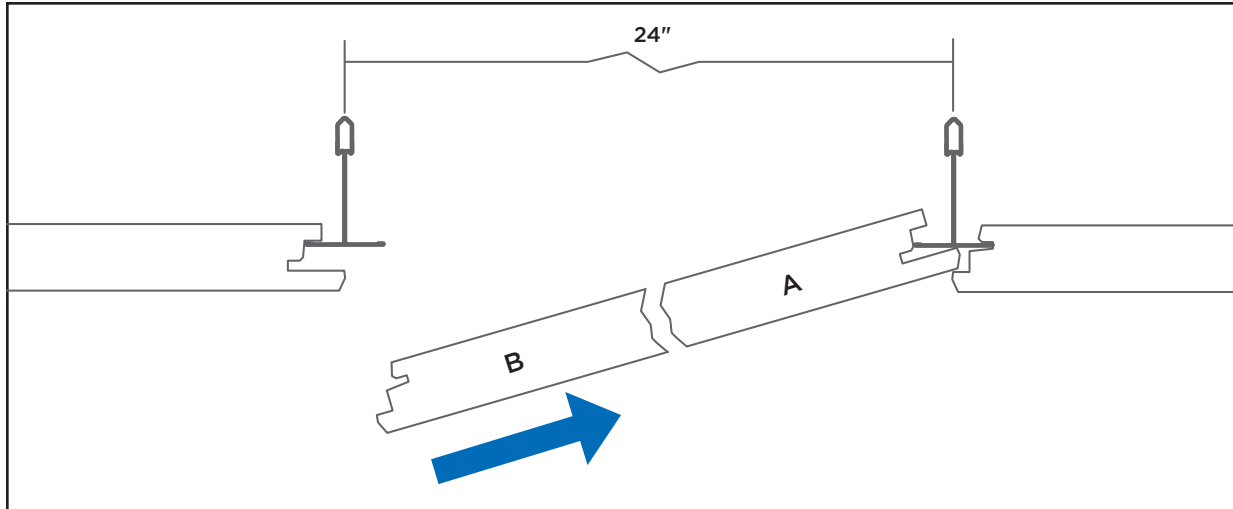
Before you begin installing the panels, you must understand that Focus Ds panels have 2 supporting edges and 2 non-supporting edges. As illustrated below:



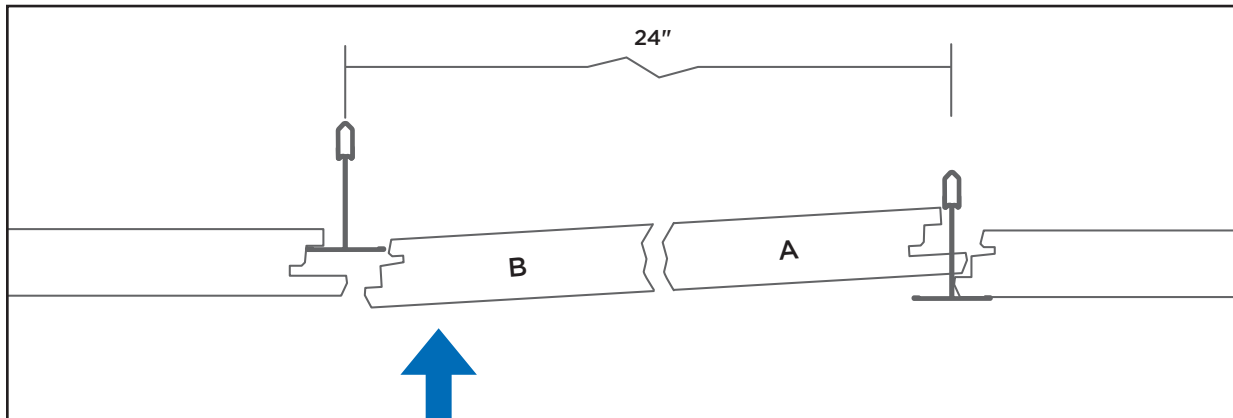
*Please note that the long sides of the panels are always the supporting sides.*

- a. Install temporary string lines along the path where the panel joints will meet.  
(since there are no cross tees as a reference)
- b. **Wear white cotton gloves, so that the dirt and oil from your hands do not get on the panels.  
(If gloves become soiled, replace them immediately).**
- c. Start installing panels in the middle of the field.
- d. For detailed instructions on how to install Focus Ds Panels, follow steps 1, 2, & 3 (below).

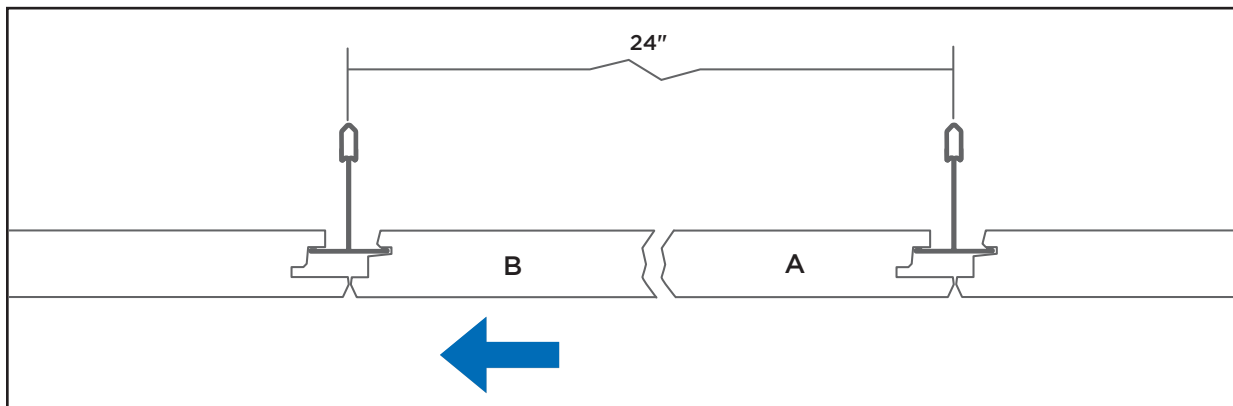
## Installation for Ecophon® Focus™ Ds for 2x2, 2x4, 2x5, 2x6, & 2x8 Seismic Panels



**Step 1:** Place the leading edge (A) into the grid as shown, making sure that the wider (deeper) groove is pushed as far as it can go into the flange. (This will allow the room to ensure that the trail edge (B) clears the grid on the opposing side).



**Step 2:** While keeping light pressure toward edge (A), push edge (B) up to begin to engage the flange on the grid.



**Step 3:** Slide panel toward edge (B). Edge (A) will move into its finished resting place. To remove the panel, lift up gently on edge (A) and perform the process in reverse.