

Ecophon® Solo™ Circle 800

Installation Manual

DESIGN AND SPECIFICATIONS

Use of the Product

Ecophon Solo panels are a high performance sound absorber, capable of being used as the primary acoustic solution when a traditional acoustic ceiling is neither feasible nor aesthetically desirable. Ecophon Solo is a unique free-hanging unit offering a myriad of design possibilities which can be achieved through various color and suspension options.

Size Availability

Diameter: 800mm (≈31.5")

Thickness: 40mm (≈1.5")

Surfaces

Ecophon Solo panels are manufactured from high-density fiberglass, boasting an industry-high recycled content [54% post-consumer]. The surface itself consists of the Akutex™ FT finish, which is highly light reflective [85%] and has exceptional light diffusion [+99%]. The Akutex™ FT finish covers both sides of the panel.

Accessibility

The panels are easily demountable.

Influence of Climate

Install in conditions that do not exceed 95% relative humidity and 86-degrees Fahrenheit (30°C)

Edge Detail

The panels have square edges that are fully painted.

Attachment

There are two methods for attachment for the panels. The first is the use of adjustable wire hangers for variable elevations. The second is the use of adjustable brackets for applications close to the structure. Method of attachment to the structure of any accessory is provided by others.

Weight

The 800mm x 40mm panels have an approximate weight of 4.4 lbs.

Handling

Use clean cotton gloves when handling product.

Cleaning

Daily dusting and vacuum cleaning. Weekly wet wiping.

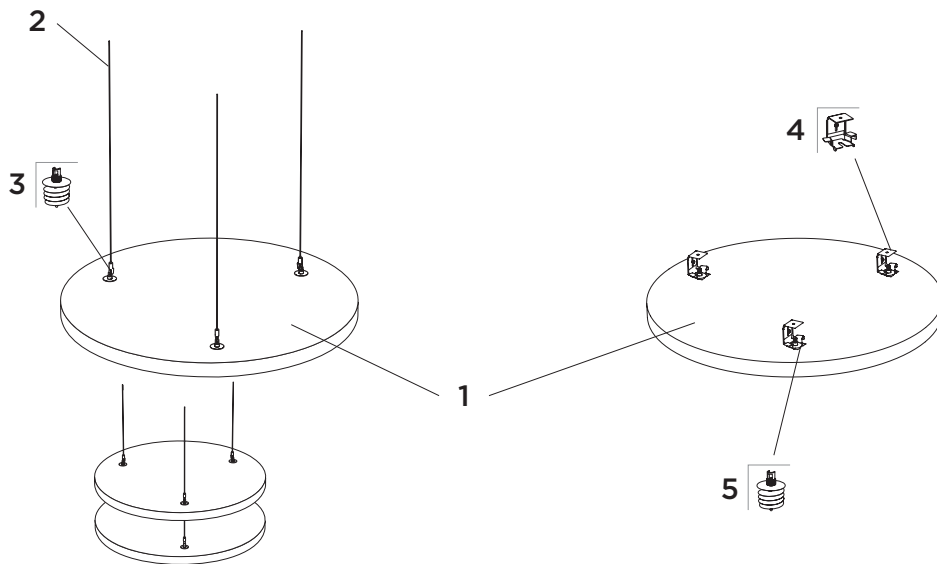
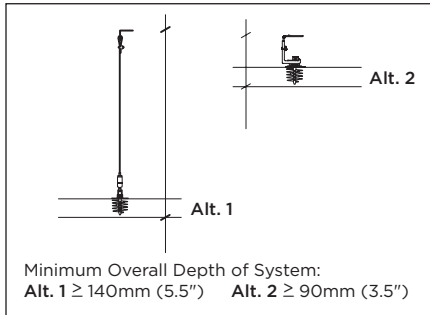
Fire Performance

Panels have been tested according to ASTM E84 (Flame Spread ≤ 25) and ASTM E1263 (Smoke Development ≤ 50).

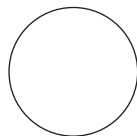
Installation for Ecophon® Solo™ Circle 800 Ceiling Panels

800mm x 40mm (≈31.5" x 1.5")

Read the entire manual before installing.



1. Ecophon Solo Circle 800
 3544 2262 - 800mm x 40mm (≈31.5" x 1-1/2")



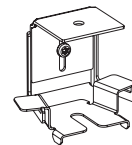
2. Connect Adjustable Wire Hanger
 2647 4174 - 2000mm (≈6'-6")
 2647 4180 - 5000mm (≈16'-4")



3. Connect Absorber Anchor
 2647 2270 (4 pcs/carton)
 2647 2290 (24 pcs/carton)



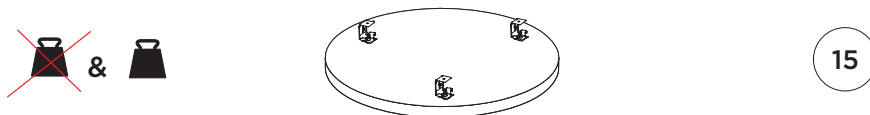
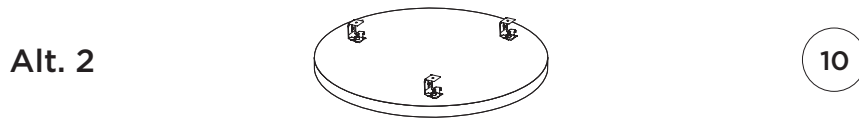
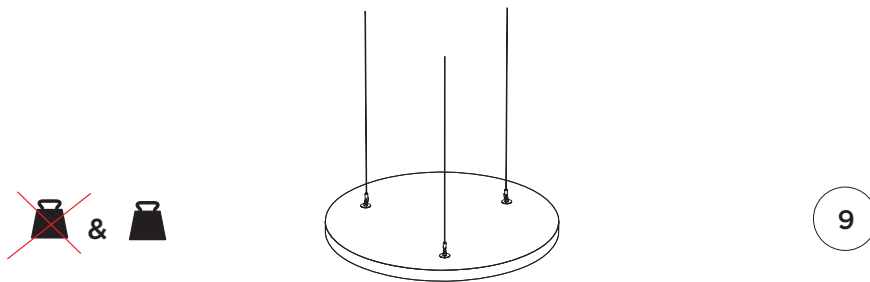
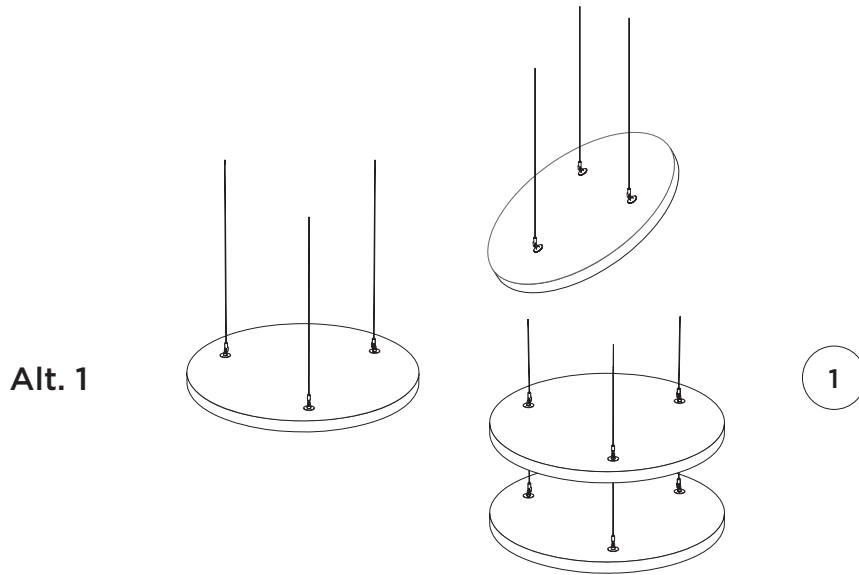
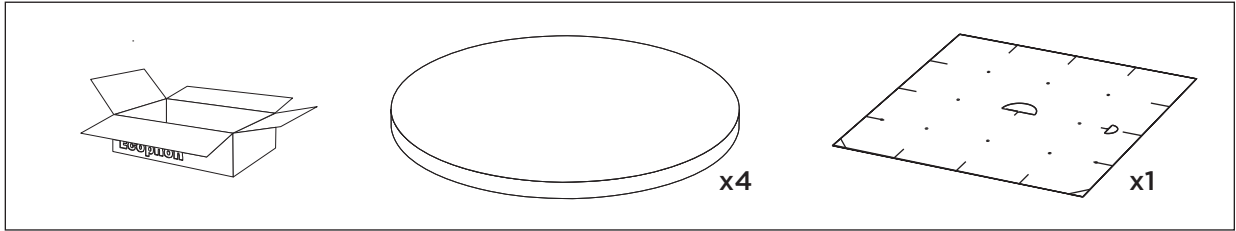
4. Connect Absorber Bracket
 2630 0048 - 50mm - 70mm (≈2" - 2.75")
 2630 0049 - 70mm - 90mm (≈2.75" - 3.5")



5. Connect Absorber Anchor
 2647 2270 (4 pcs/carton)
 2647 2290 (24 pcs/carton)

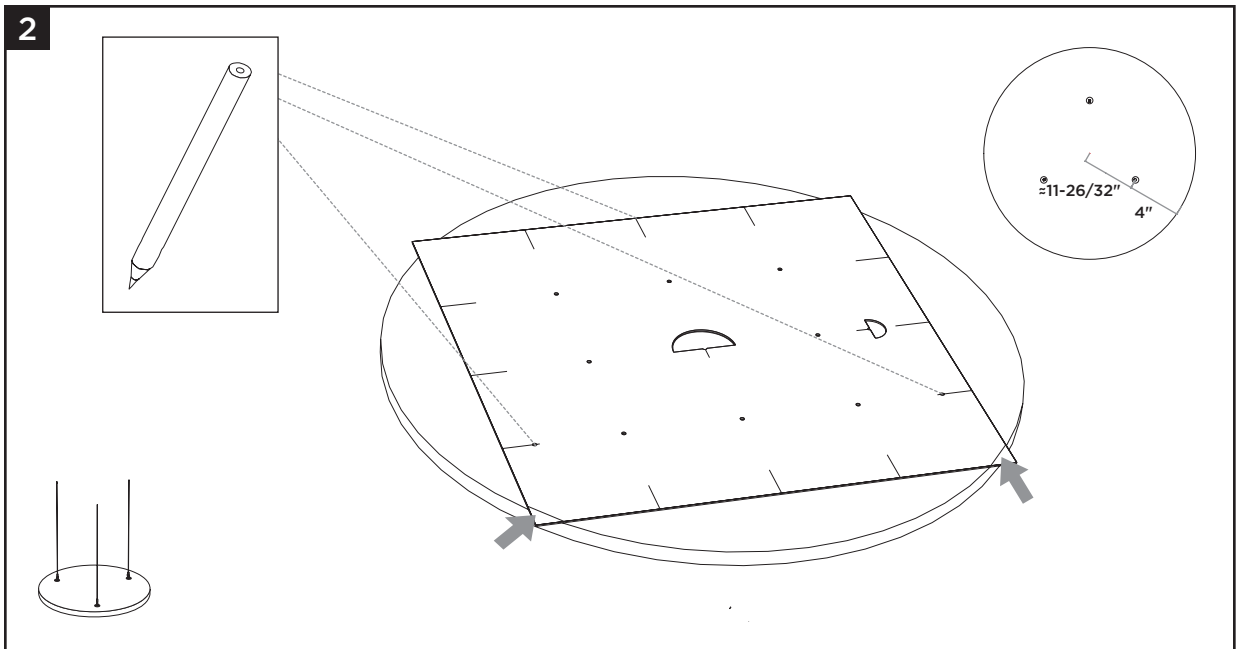
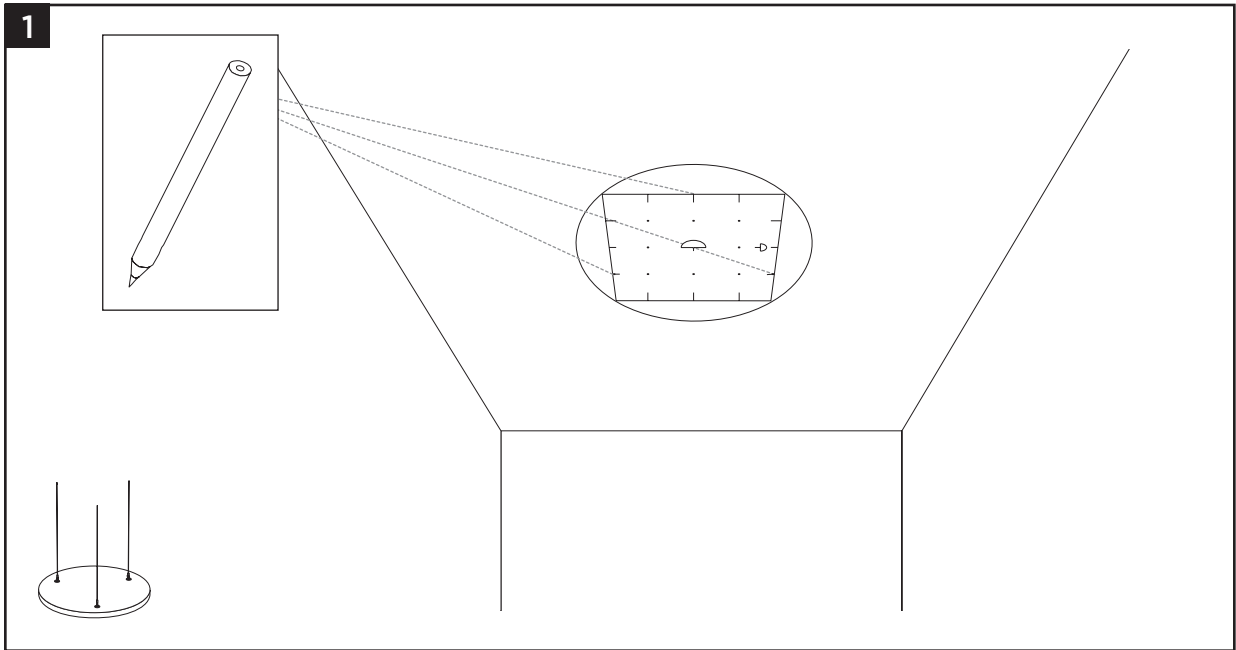


Installation for Ecophon® Solo™ Circle 800 Ceiling Panels 800mm x 40mm (≈31.5" x 1.5")



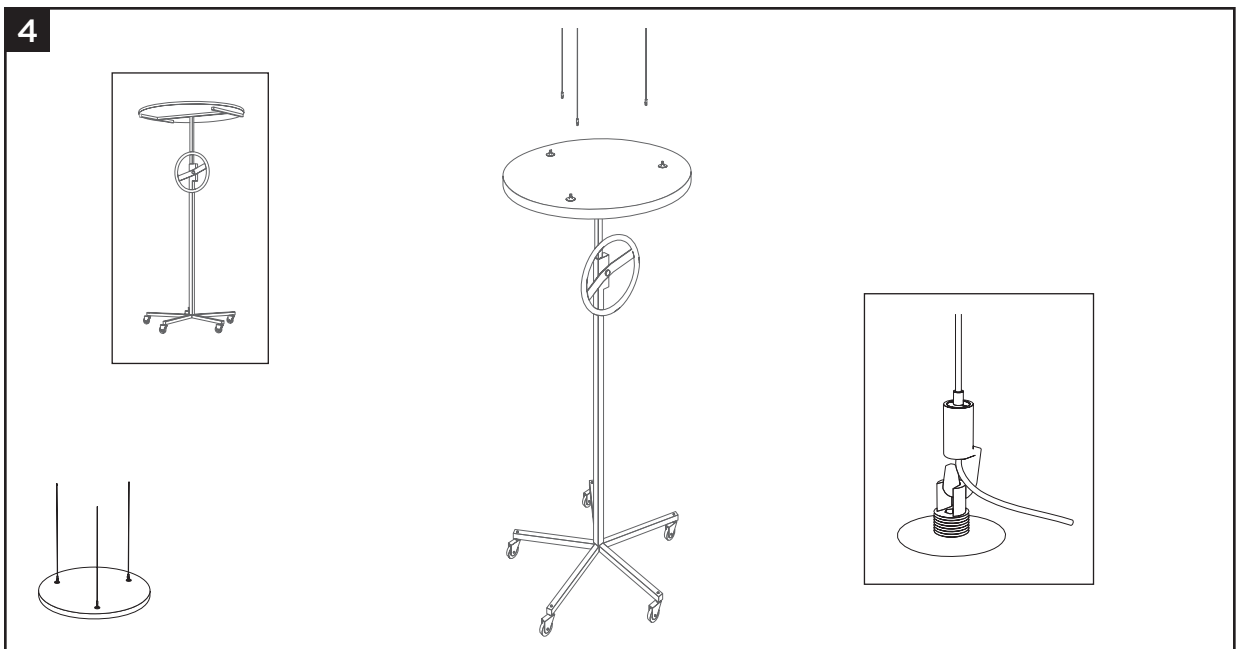
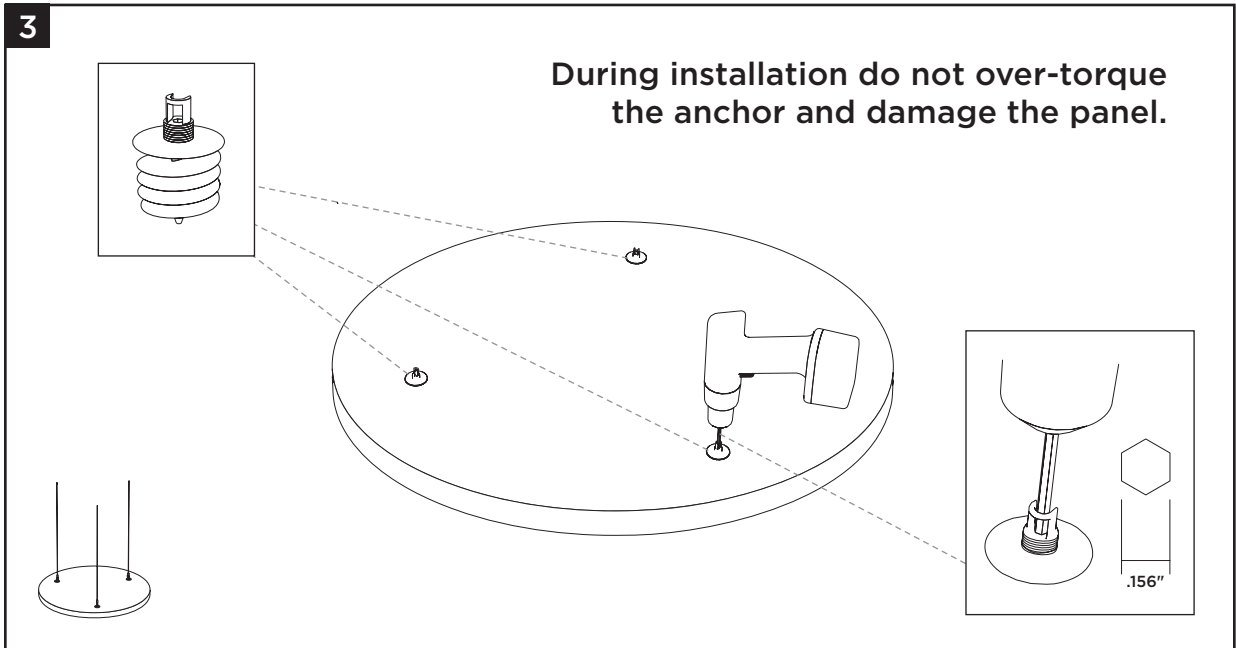
Installation for Ecophon® Solo™ Circle 800 Ceiling Panels — Connect Adjustable Wire Hanger Application

800mm x 40mm (≈31.5" x 1.5")



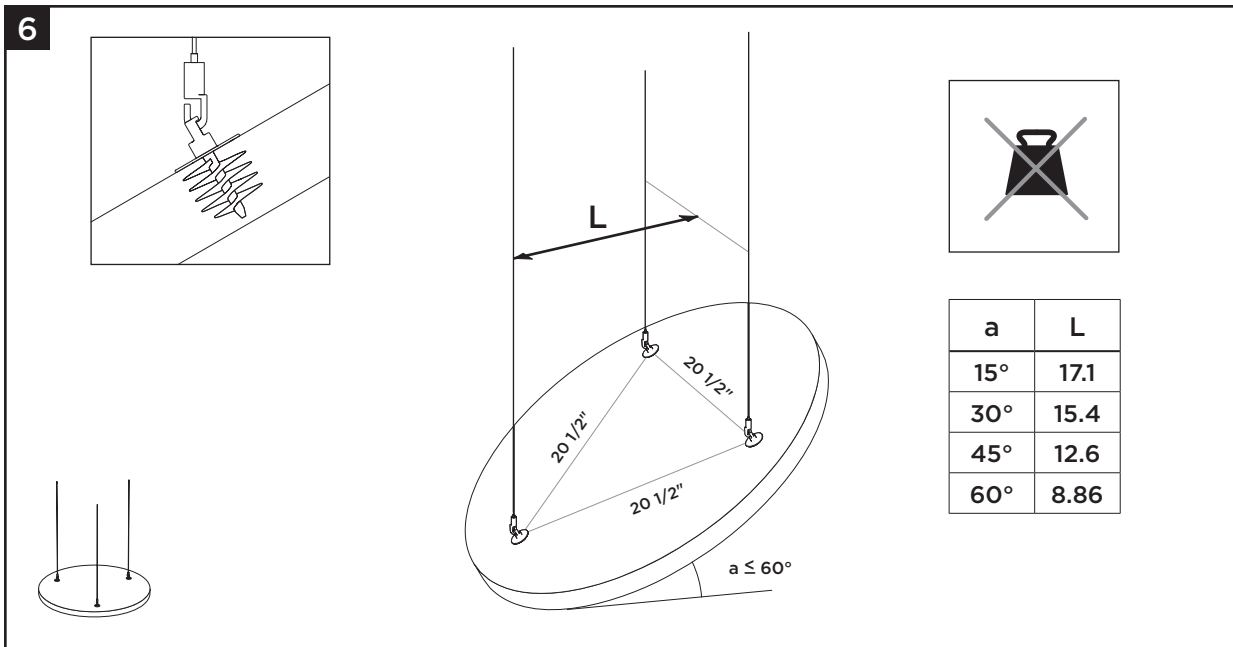
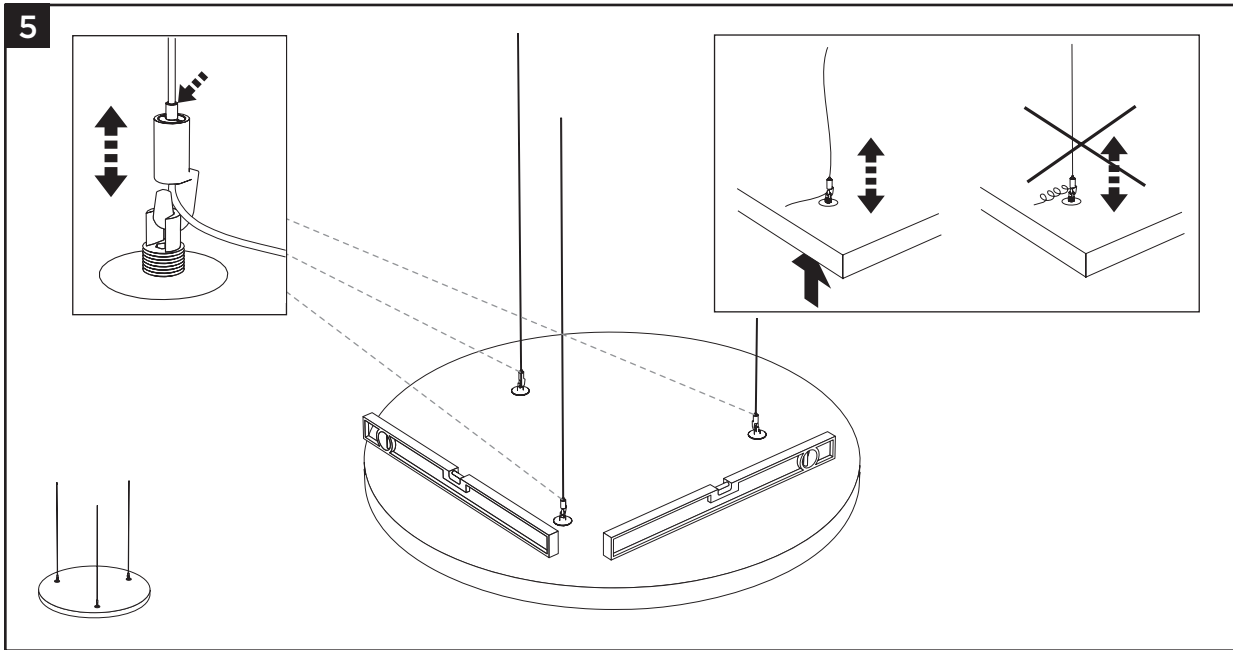
Installation for Ecophon® Solo™ Circle 800 Ceiling Panels — Connect Adjustable Wire Hanger Application

800mm x 40mm (≈31.5" x 1.5")



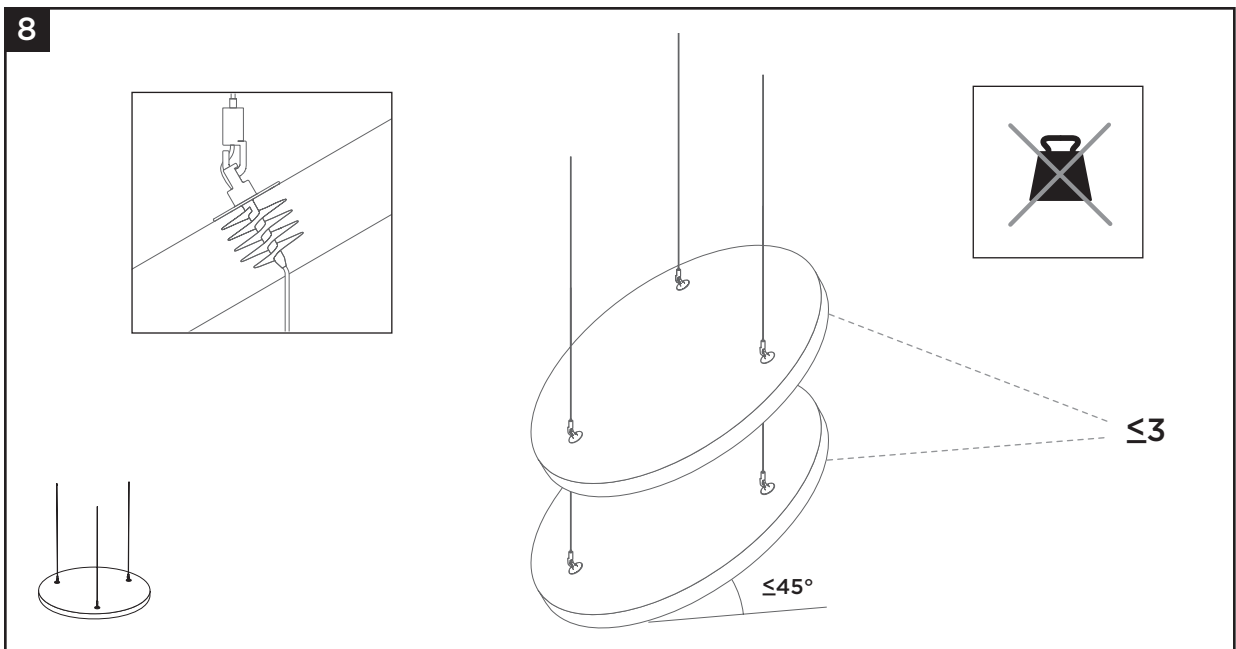
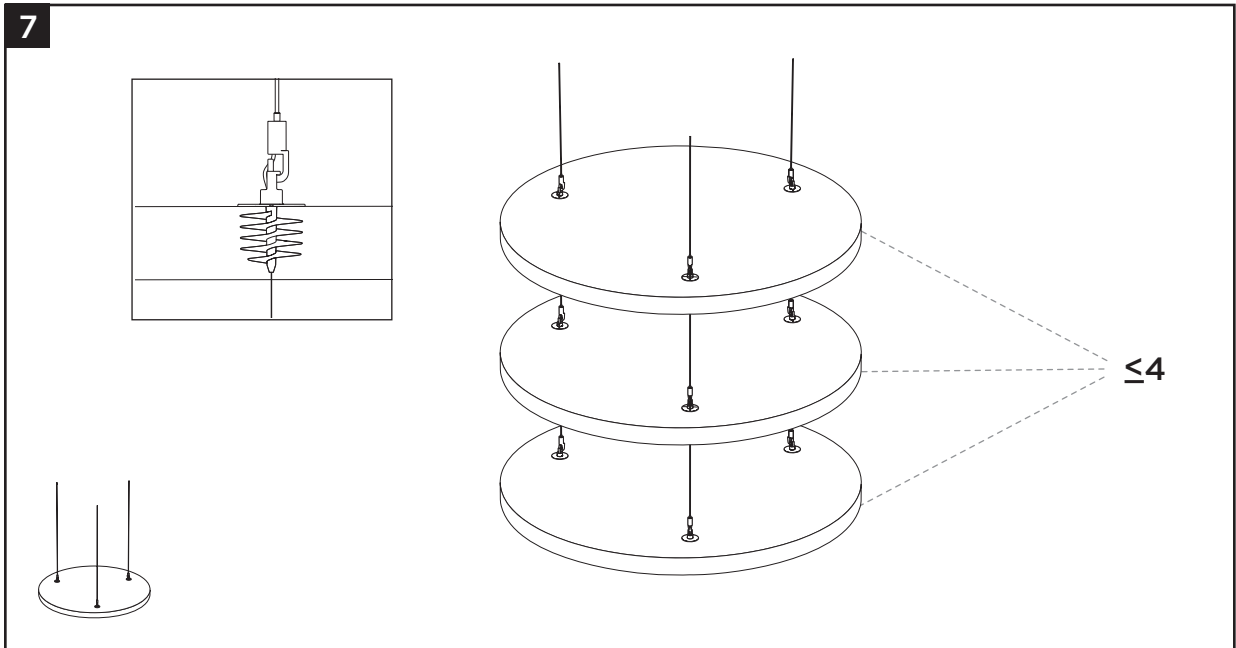
Installation for Ecophon® Solo™ Circle 800 Ceiling Panels — Connect Adjustable Wire Hanger Application

800mm x 40mm (≈31.5" x 1.5")



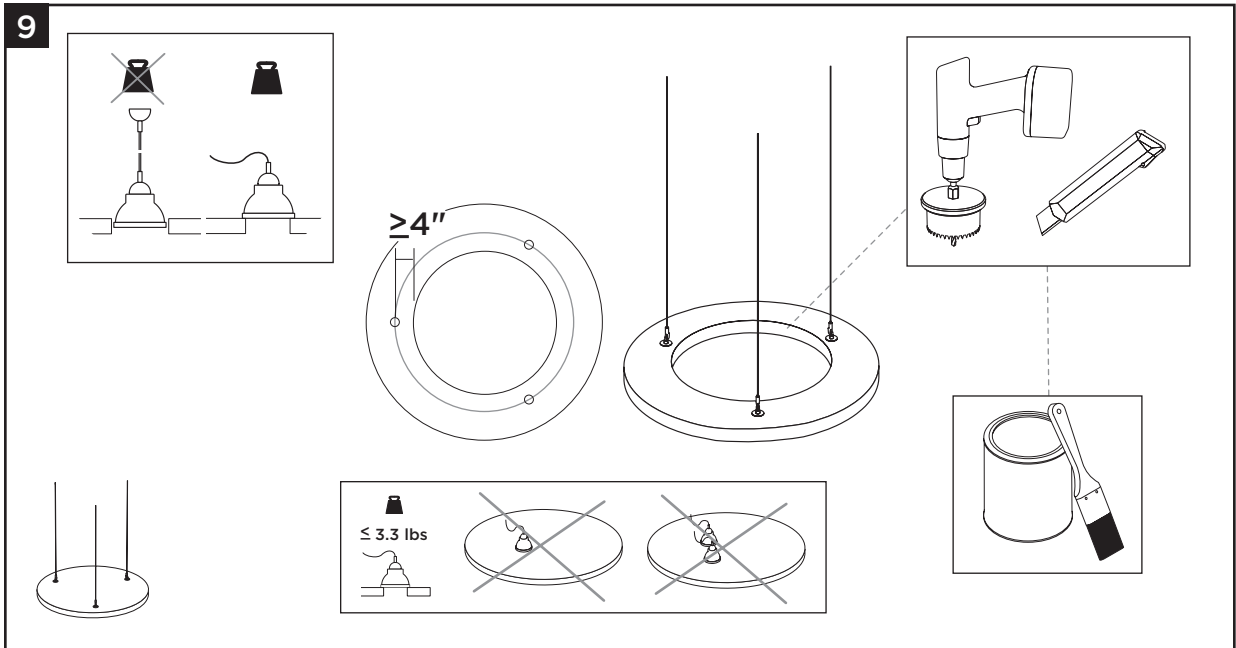
Installation for Ecophon® Solo™ Circle 800 Ceiling Panels — Connect Adjustable Wire Hanger Application

800mm x 40mm (≈31.5" x 1.5")



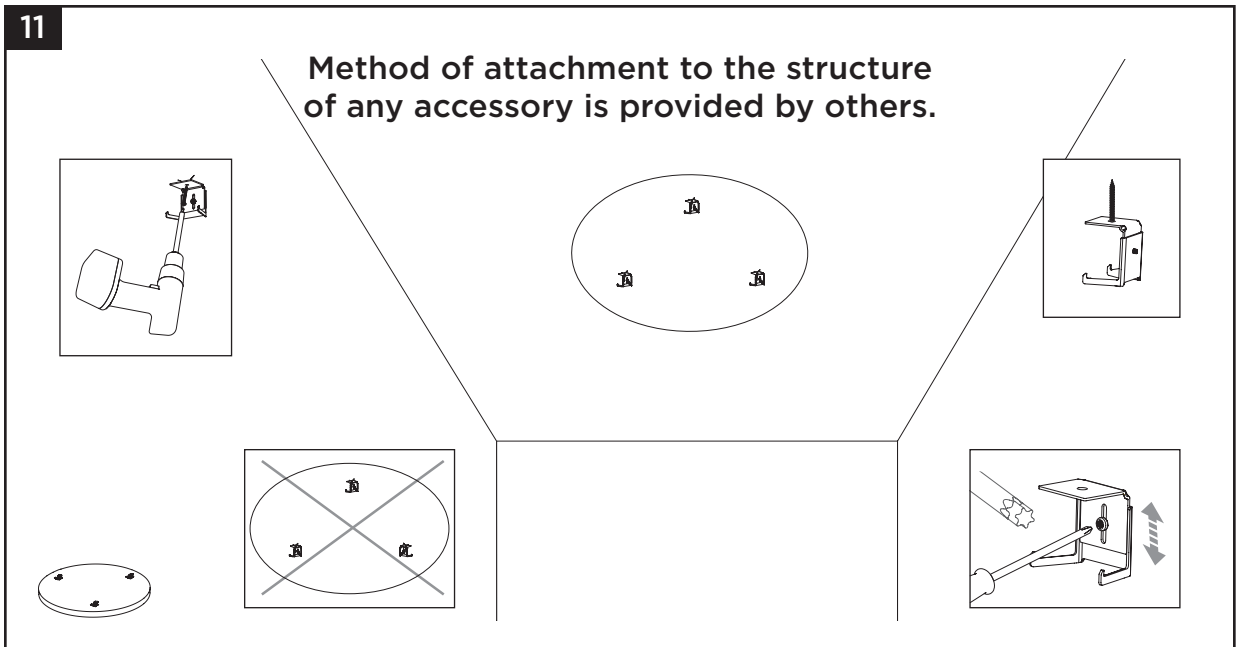
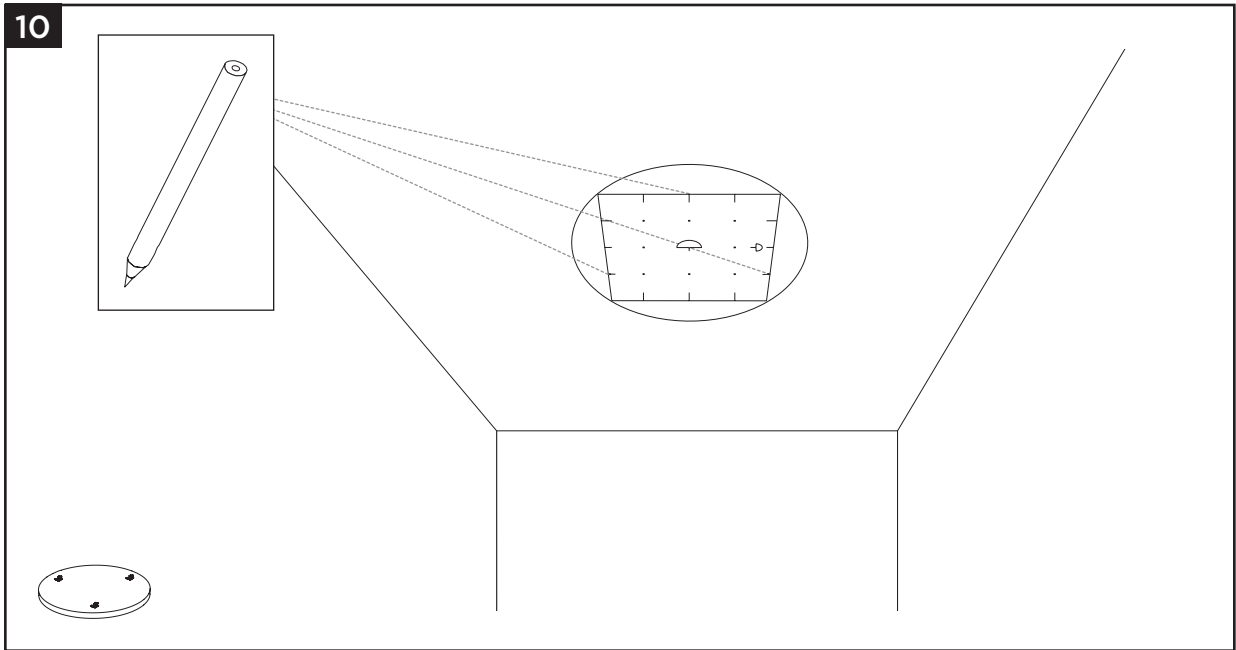
Installation for Ecophon® Solo™ Circle 800 Ceiling Panels — Connect Adjustable Wire Hanger Application

800mm x 40mm (≈31.5" x 1.5")



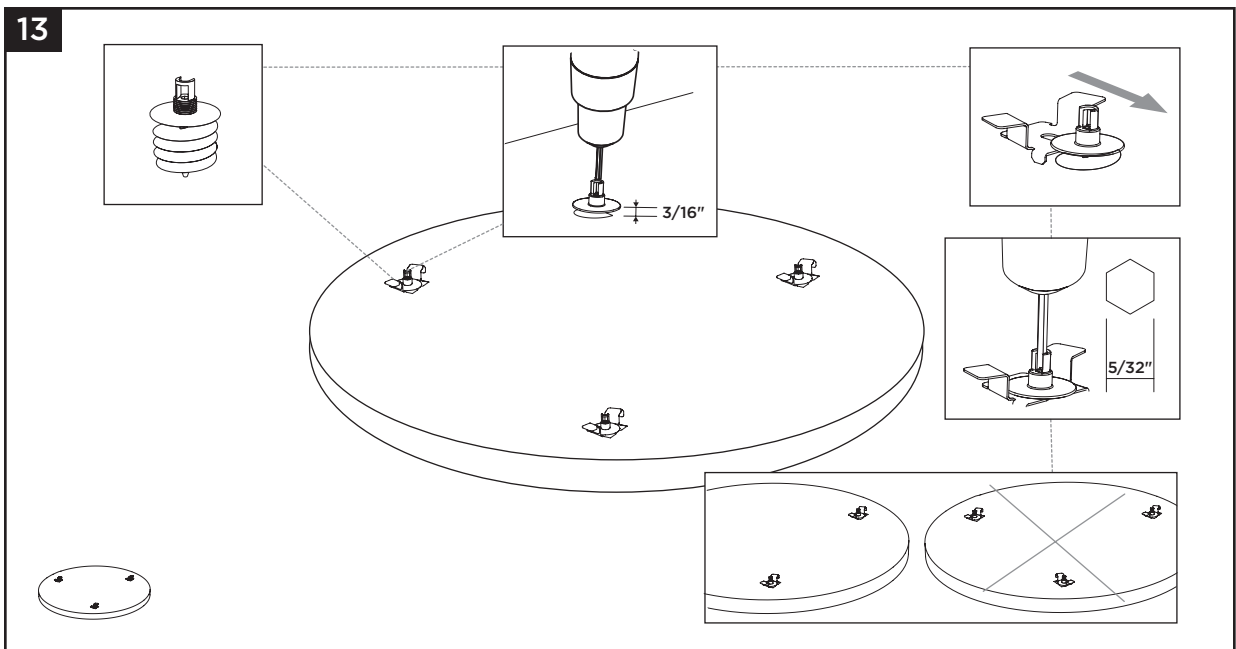
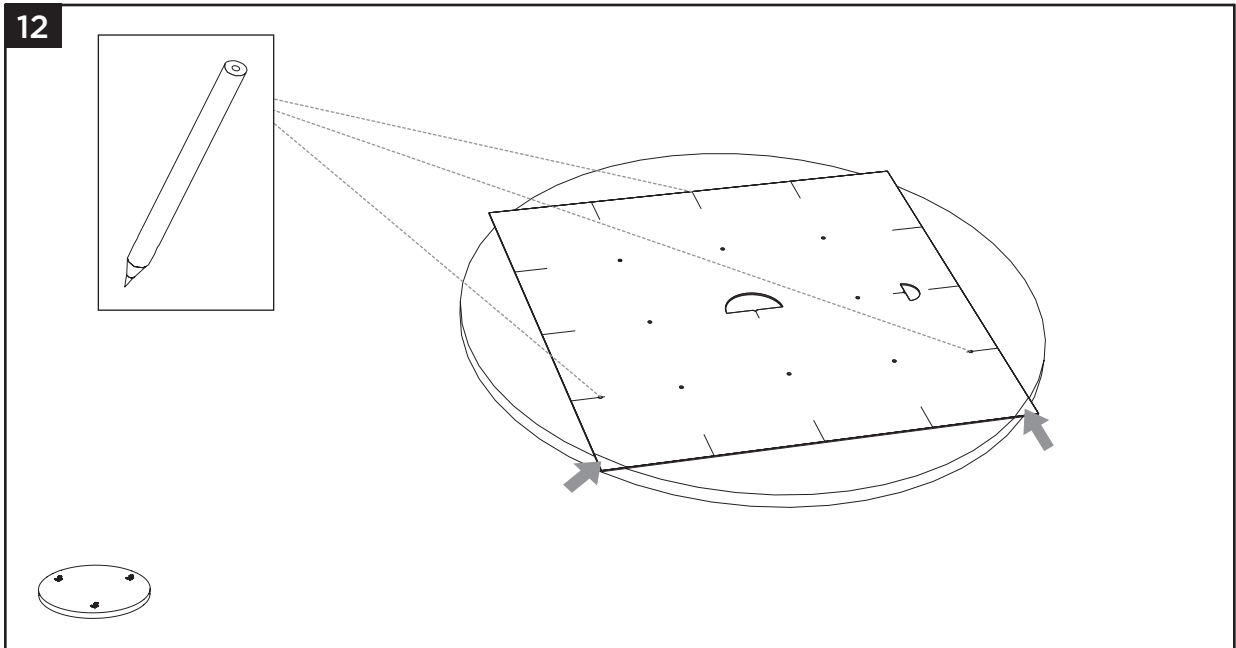
Installation for Ecophon® Solo™ Circle 800 Ceiling Panels — Connect Absorber Bracket Application

800mm x 40mm (≈31.5" x 1.5")



Installation for Ecophon® Solo™ Circle 800 Ceiling Panels — Connect Absorber Bracket Application

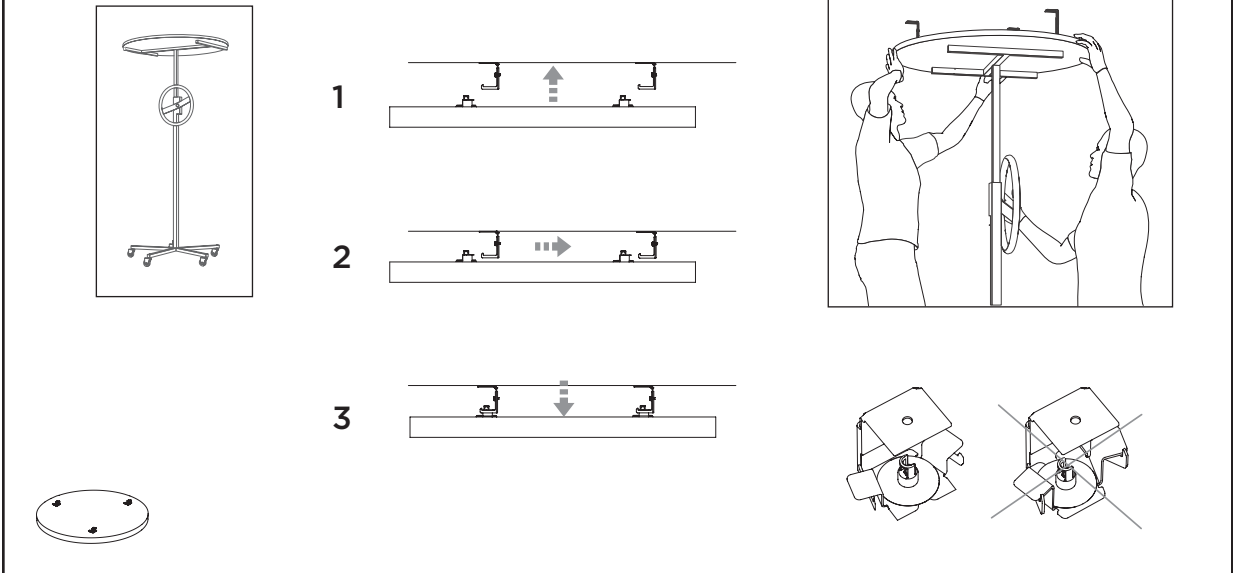
800mm x 40mm (≈31.5" x 1.5")



Installation for Ecophon® Solo™ Circle 800 Ceiling Panels — Connect Absorber Bracket Application

800mm x 40mm (≈31.5" x 1.5")

14



15

